

## Power Supply Unit, Power Connection Unit, and FG Terminal Expansion Unit for NX-series



### Features

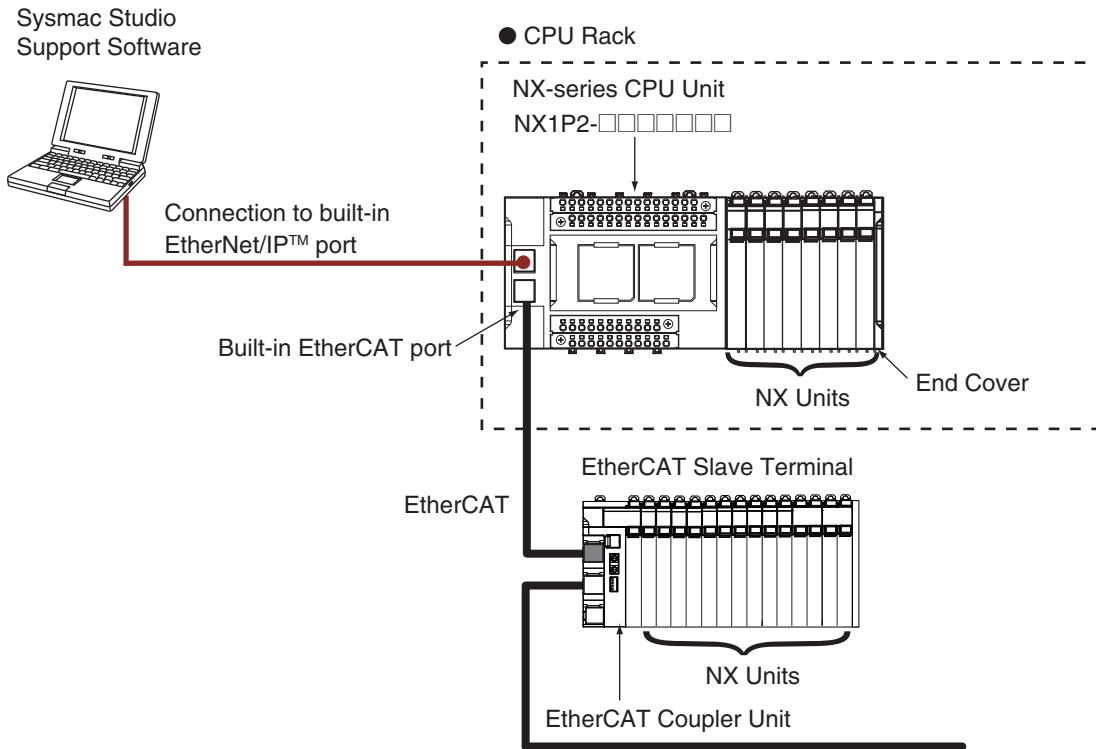
- Units to feed in additional Unit power and I/O power to an NX-series remote I/O terminal.
- Screwless clamp terminal block significantly reduces wiring work.
- Space-saving 12 mm wide units.
- The NX Unit Power Supply Unit allows expansion of the I/O configuration beyond the maximum power supply capacity of the EtherCAT Coupler.
- The I/O Power Supply Unit is used when the total allowed I/O current per feed terminal is exceeded, or to split I/O power into groups.
- The I/O Power Connection Unit can be used as an additional power supply terminal for connected sensors and actuators.
- The FG Terminal Expansion Unit can be used as ground terminal for wire shields.
- The screwless terminal block is detachable for easy commissioning and maintenance.

Sysmac is a trademark or registered trademark of OMRON Corporation in Japan and other countries for OMRON factory automation products. EtherCAT® is a registered trademark of Beckhoff Automation GmbH for their patented technology. EtherNet/IP™ is the trademarks of ODVA. Other company names and product names in this document are the trademarks or registered trademarks of their respective companies.

## System Configuration

### System Configuration in the Case of a CPU Unit

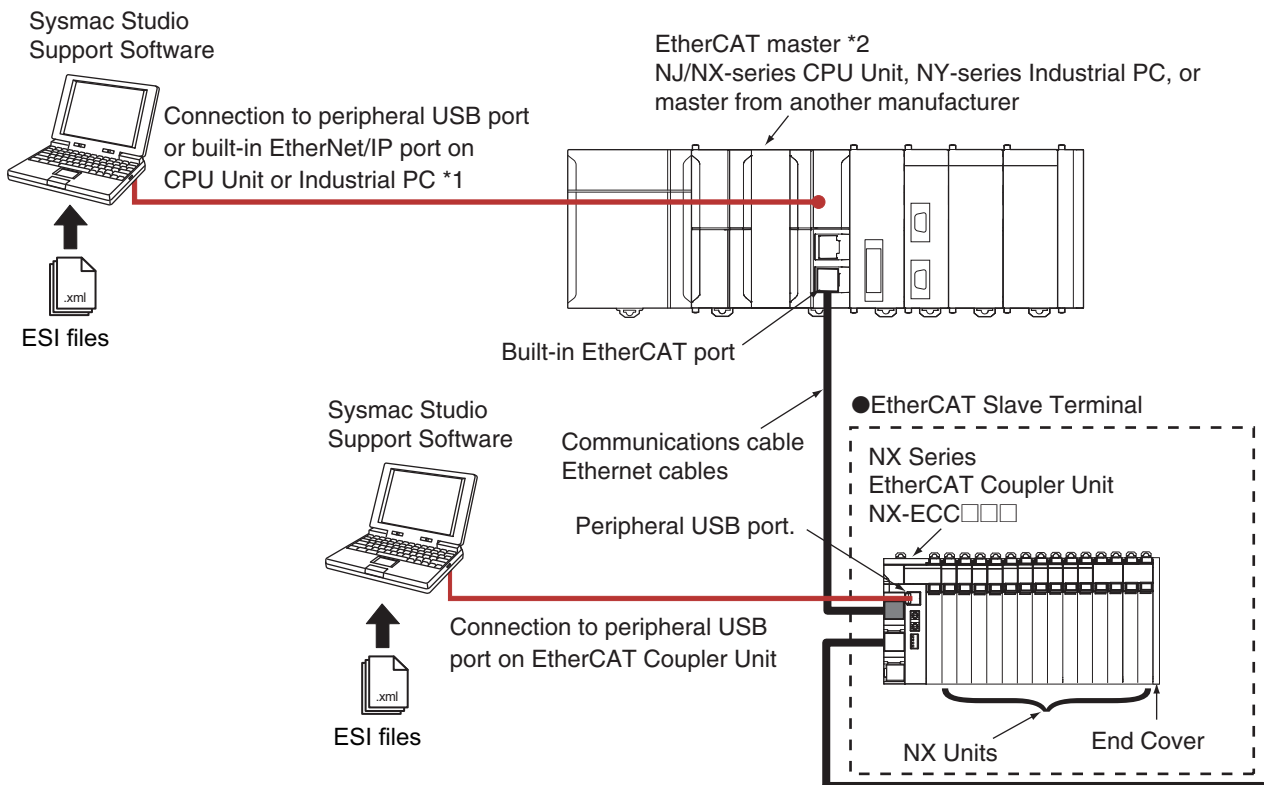
The following figure shows a system configuration when a group of NX Units is connected to an NX-series CPU Unit.



**Note:** For whether an NX Unit can be connected to the CPU Unit, refer to the version information.

### System Configuration of Slave Terminals

The following figure shows an example of the system configuration when an EtherCAT Coupler Unit is used as a Communications Coupler Unit.



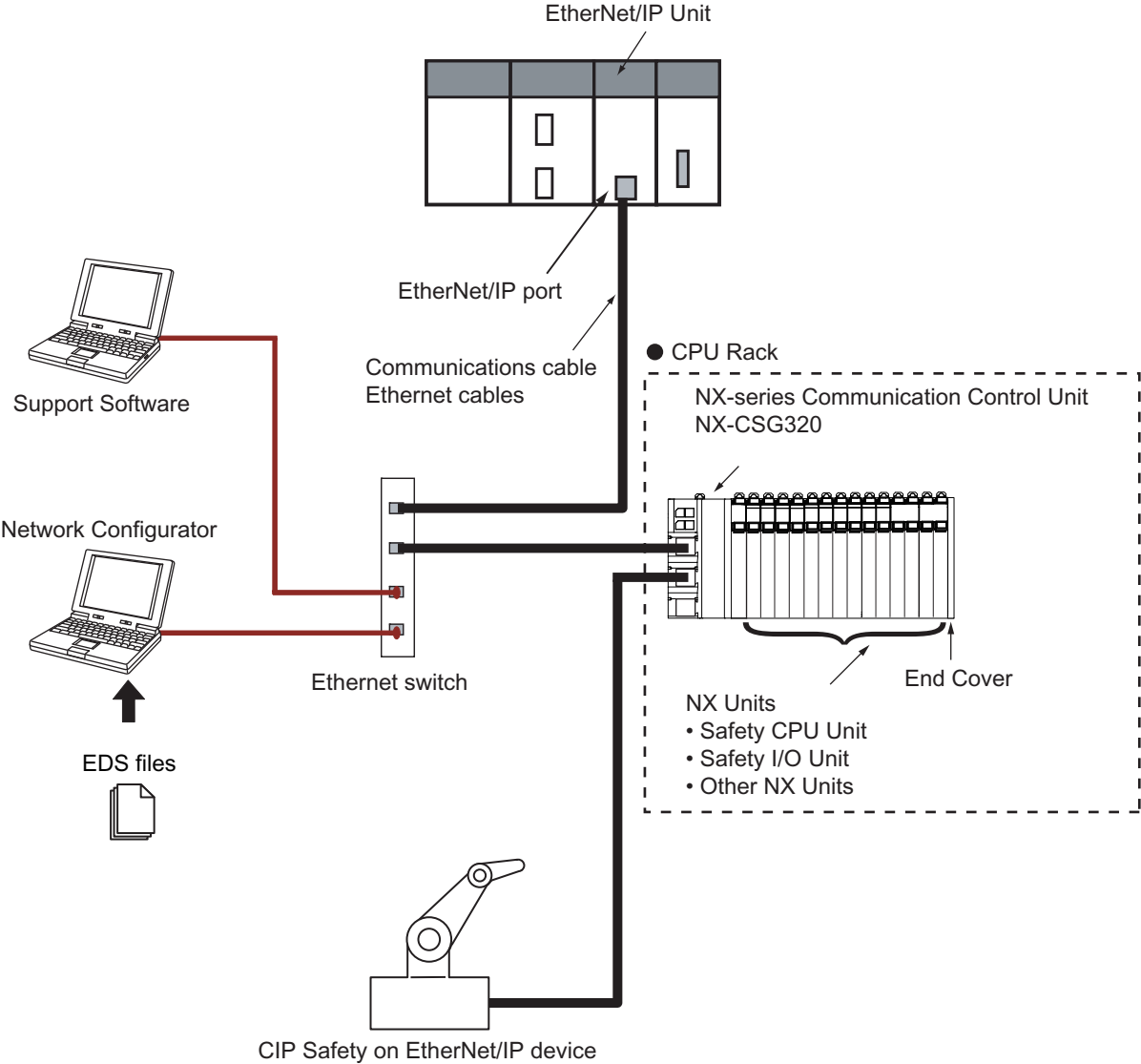
\*1. The connection method for the Sysmac Studio depends on the model of the CPU Unit or Industrial PC.

\*2. An EtherCAT Slave Terminal cannot be connected to any of the OMRON CJ1W-NC□81/□82 Position Control Units even though they can operate as EtherCAT masters.

**Note:** For whether an NX Unit can be connected to the Communications Coupler Unit, refer to the version information.

### System Configuration in the Case of a Communication Control Unit

The following figure shows a system configuration when a group of NX Units is connected to an NX-series Communication Control Unit. To configure a Safety Network Controller, mount the Safety CPU Unit, which is one of the NX Units, to the CPU Rack of the Communication Control Unit.



**Note:** For whether an NX Unit can be connected to the Communication Control Unit, refer to the version information.

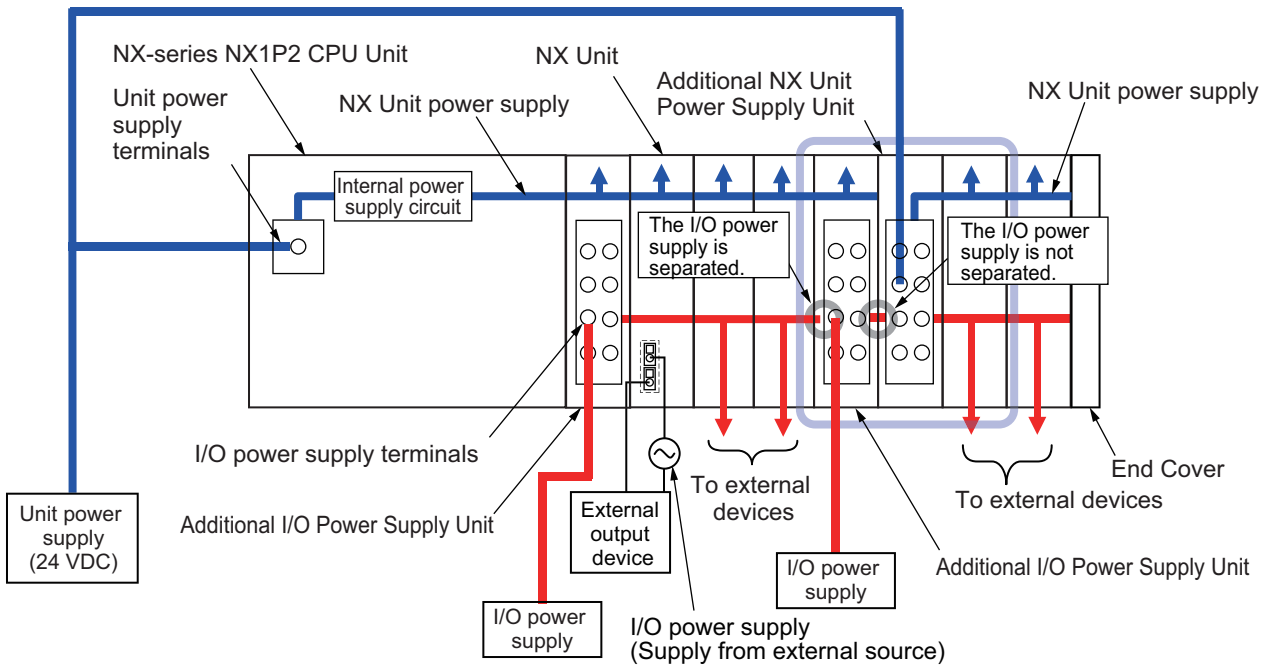
## Power Supply Systems

### Wiring the Power Supply to the CPU Unit

There are the following two types of power supplies that supply power to the CPU Rack of the NX1P2 CPU Units. I/O power supply is also required to drive the built-in I/O output circuit. However, only the supply to the NX Unit is described in this section. For the I/O power supply to the built-in I/O, refer to the hardware user's manual for the CPU Unit to which NX Units are connected.

Power supply name	Description
Unit power supply	This is the power supply for generating the internal power supply required for the CPU Rack to operate. This power supply is connected to the Unit power supply terminals on the CPU Unit. From the Unit power supply, the internal power supply circuit in the CPU Unit generates the internal circuit power supply, Option Board power supply and NX Unit power supply. The internal circuits of the NX Unit operates on the NX Unit power supply. The NX Unit power supply is supplied to the NX Units in the CPU Rack through the NX bus connectors.
I/O power supply	This power supply is used for driving the I/O circuits of the NX Units and for the connected external devices. There are the following two I/O power supply methods. Either supply method used depends on each model of NX Unit. <ul style="list-style-type: none"> <li>• Supply from the NX bus</li> <li>• Supply from external source</li> </ul> Refer to the <i>Installation and Wiring in the NX-series System Units User's Manual</i> (Cat. No. W523) for the details on the power supply methods.

The following are wiring diagrams (examples) for each power supply.



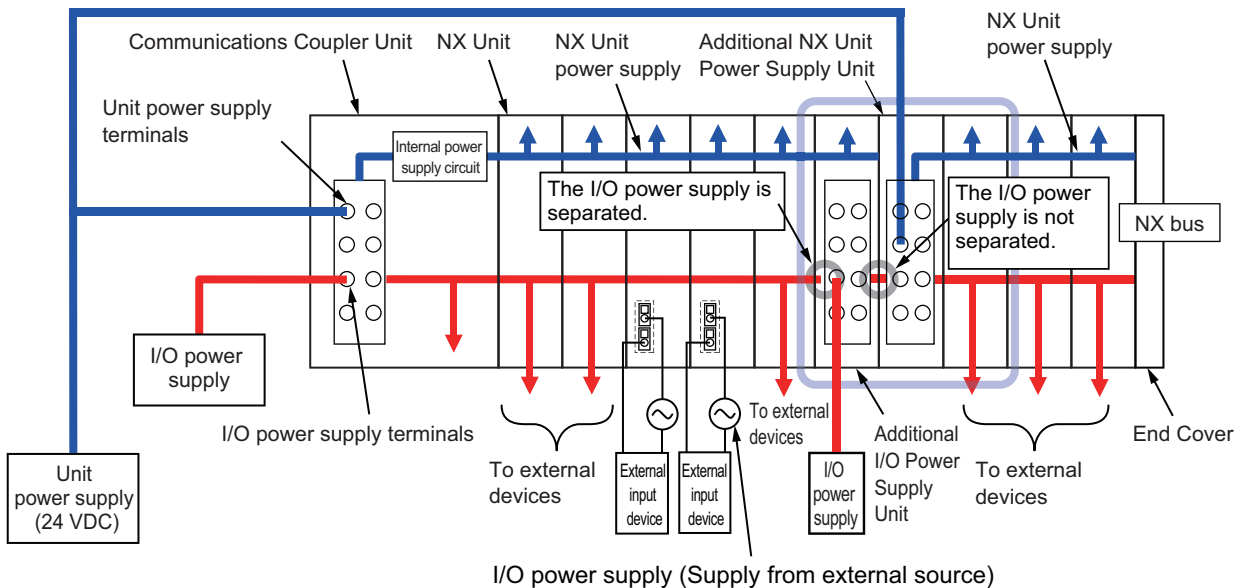
**Note:** Supply the Unit power and the I/O power from different power supplies. If you supply power from the same power supply the galvanic separation between the bus system and the I/O circuits is no longer effective. Noise generated in the I/O circuits may cause malfunctions in the internal circuits of the units.

## Wiring the Power Supply to the Slave Terminal

There are the following two types of power supplies that supply power to the Slave Terminal.

Power supply name	Description
Unit power supply	<p>This is the power supply for generating the NX Unit power supply required for the Slave Terminal to operate.</p> <p>This is connected to the Unit power supply terminal on the Communications Coupler Unit or on the Additional NX Unit Power Supply Unit.</p> <p>The internal power supply circuit in the Communications Coupler Unit or the Additional NX Unit Power Supply Unit generates the NX Unit power supply from the Unit power supply.</p> <p>The internal circuits of the Communications Coupler Unit and NX Units operate by the NX Unit power supply.</p> <p>The NX Unit power supply is supplied to the NX Units in the Slave Terminal through the NX bus connectors.</p>
I/O power supply	<p>This power supply provides power to drive the I/O circuits of the Position Interface Units and it provides power to external devices such as external encoders and sensors.</p> <p>There are the following two I/O power supply methods. Either supply method used depends on each model of NX Unit.</p> <ul style="list-style-type: none"> <li>Supply from the NX bus</li> <li>Supply from external source</li> </ul> <p>Refer to the <i>Installation and Wiring</i> in the <i>NX-series System Units User's Manual</i> (Cat. No. W523) for the details on the power supply methods.</p>

The following are wiring diagrams (examples) for each power supply.



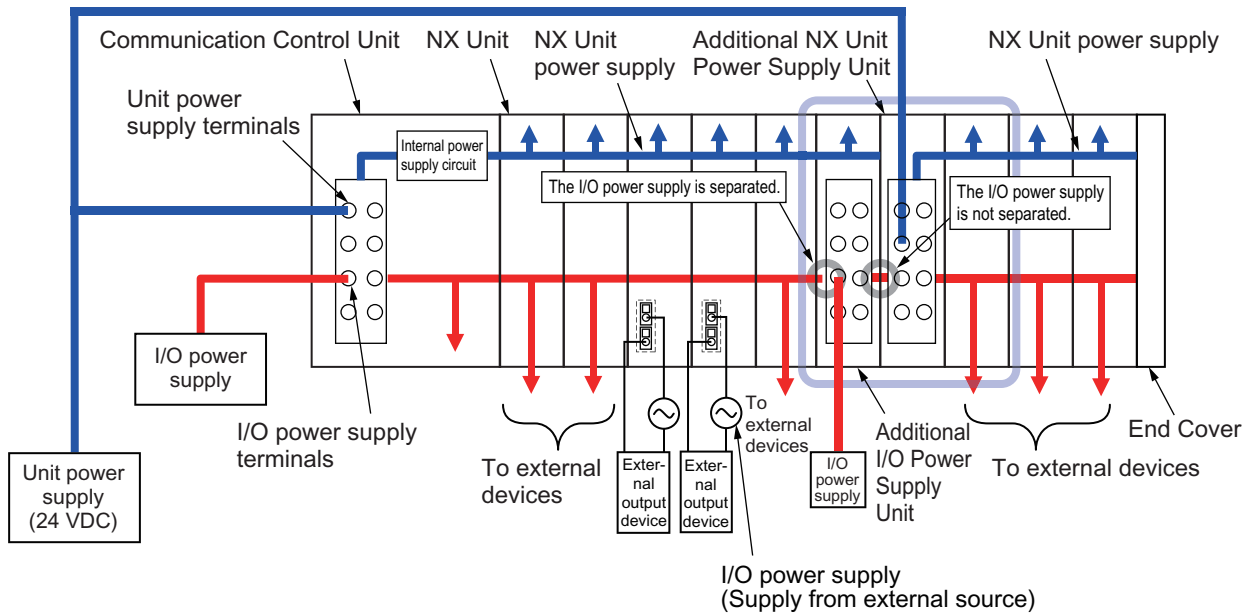
**Note:** Supply the Unit power and the I/O power from different power supplies. If you supply power from the same power supply the galvanic separation between the bus system and the I/O circuits is no longer effective. Noise generated in the I/O circuits may cause malfunctions in the internal circuits of the units.

## Wiring the Power Supply to the Communication Control Unit

There are the following two types of power supplies that supply power to the Communication Control Unit.

Power supply name	Description
Unit power supply	<p>This is the power supply for generating the internal power supply required for the CPU Rack to operate. This power supply is connected to the Unit power supply terminals on the Communication Control Unit or Additional NX Unit Power Supply Unit.</p> <p>From the Unit power supply, the internal power supply circuit in the Communication Control Unit generates the power supply to the internal circuit of the Communication Control Unit and NX Unit power supply. The internal power supply circuit in the Additional NX Unit Power Supply Unit generates the NX Unit power supply from the Unit power supply.</p> <p>The internal circuits of the NX Unit operates on the NX Unit power supply.</p> <p>The NX Unit power supply is supplied to the NX Units in the CPU Rack through the NX bus connectors.</p>
I/O power supply	<p>This power supply is used for driving the I/O circuits of the NX Units and for the connected external devices.</p> <p>There are the following two I/O power supply methods. Either supply method used depends on each model of NX Unit.</p> <ul style="list-style-type: none"> <li>Supply from the NX bus</li> <li>Supply from external source</li> </ul> <p>Refer to <i>Supplying Each Power Supply and Wiring</i> in the User's Manual for the details on the power supply methods.</p>





The following are wiring diagrams (examples) for each power supply.



**Note:** Supply the Unit power and the I/O power from different power supplies. If you supply power from the same power supply the galvanic separation between the bus system and the I/O circuits is no longer effective. Noise generated in the I/O circuits may cause malfunctions in the internal circuits of the units.

## Ordering Information

### SYSTEM Units

Product Name	Specifications	Model
<b>Additional NX Unit Power Supply Unit</b> 	Power supply voltage: 24 VDC (20.4 to 28.8 VDC) NX Bus power supply capacity: 10 W max.	<b>NX-PD1000</b>
<b>Additional I/O Power Supply Unit</b> 	Power supply voltage: 5 to 24 VDC (4.5 to 28.8 VDC) I/O power feed maximum current: 4 A	<b>NX-PF0630</b>
	Power supply voltage: 5 to 24 VDC (4.5 to 28.8 VDC) I/O power feed maximum current: 10 A	<b>NX-PF0730</b>
<b>I/O Power Supply Connection Unit</b> 	Number of I/O power terminals: IOG: 16 terminals Current capacity of I/O power terminal: 4 A/terminal max.	<b>NX-PC0010</b>
	Number of I/O power terminals: IOV: 16 terminals Current capacity of I/O power terminal: 4 A/terminal max.	<b>NX-PC0020</b>
	Number of I/O power terminals: IOV: 8 terminals, IOG: 8 terminals Current capacity of I/O power terminal: 4 A/terminal max	<b>NX-PC0030</b>
<b>Shield Connection Unit</b> 	Number of shield terminals: 14 terminals (The lower two terminals are functional ground terminals.)	<b>NX-TBX01</b>

### Optional Products

Product Name	Specification	Model
<b>Unit/Terminal Block Coding Pins</b>	For 10 Units (Terminal Block: 30 pins, Unit: 30 pins)	<b>NX-AUX02</b>

Product Name	Specification				Model
	No. of terminals	Terminal number indications	Ground terminal mark	Terminal current capacity	
<b>Terminal Block</b>	8	A/B	None	10 A	<b>NX-TBA082</b>
			Provided		<b>NX-TBC082</b>
	16		None		<b>NX-TBA162</b>
			Provided		<b>NX-TBC162</b>

### Accessories

There are no accessories.

## General Specification

Item		Specification
Enclosure		Mounted in a panel
Grounding method		Ground to 100 $\Omega$ or less
Operating environment	Ambient operating temperature	0 to 55°C
	Ambient operating humidity	10% to 95% (with no condensation or icing)
	Atmosphere	Must be free from corrosive gases.
	Ambient storage temperature	-25 to 70°C (with no condensation or icing)
	Altitude	2,000 m max.
	Pollution degree	2 or less: Meets IEC 61010-2-201.
	Noise immunity	2 kV on power supply line (Conforms to IEC61000-4-4.)
	Overvoltage category	Category II: Meets IEC 61010-2-201.
	EMC immunity level	Zone B
	Vibration resistance	Conforms to IEC 60068-2-6. 5 to 8.4 Hz with 3.5-mm amplitude, 8.4 to 150 Hz, acceleration of 9.8 m/s <sup>2</sup> , 100 min each in X, Y, and Z directions (10 sweeps of 10 min each = 100 min total)
Shock resistance	Conforms to IEC 60068-2-27. 147 m/s <sup>2</sup> , 3 times each in X, Y, and Z directions	
Applicable standards *		cULus: Listed (UL508), ANSI/ISA 12.12.01, EU: EN 61131-2, C-Tick or RCM, KC Registration, NK, and LR

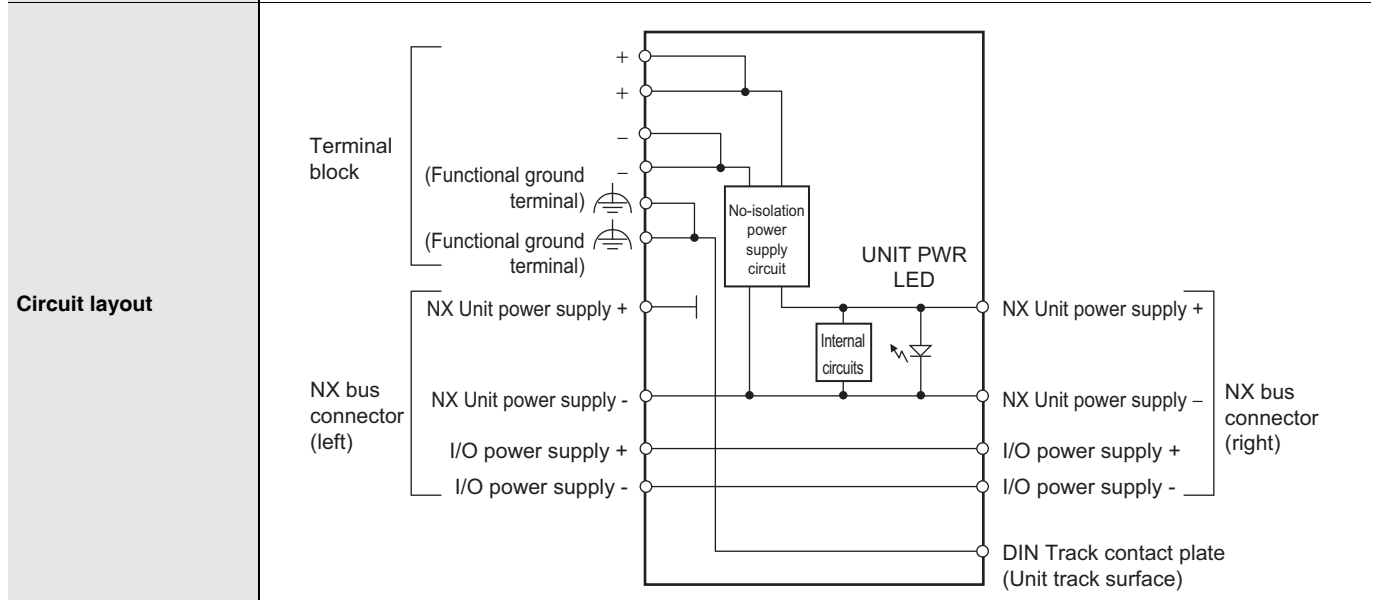
\* Refer to the OMRON website ([www.ia.omron.com](http://www.ia.omron.com)) or ask your OMRON representative for the most recent applicable standards for each model.



# Specification

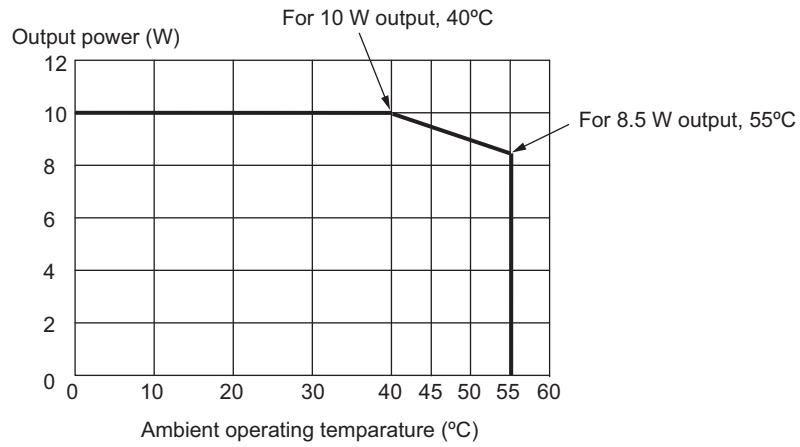
## Additional NX Unit Power Supply Unit NX-PD1000

<b>Unit name</b>	Additional NX Unit Power Supply Unit
<b>Model</b>	NX-PD1000
<b>External connection terminals</b>	Screwless push-in terminal block (8 terminals)
<b>Power supply voltage</b>	24 VDC (20.4 to 28.8 VDC)
<b>NX Bus power supply capacity</b>	10 W max. (Refer to Installation orientation and restrictions for details.)
<b>NX Unit power supply efficiency</b>	70%
<b>Unwired terminal current capacity</b>	4 A max. (Including the current of through-wiring)
<b>Dimensions</b>	12 (W) × 100 (H) 71 × (D)
<b>Isolation method</b>	No-isolation
<b>Insulation resistance</b>	20 MΩ min. between isolated circuits (at 100 VDC)
<b>Dielectric strength</b>	510 VAC between isolated circuits for 1 minute at a leakage current of 5 mA max.
<b>NX Unit power consumption</b>	<ul style="list-style-type: none"> <li>Connected to a CPU Unit or Communication Control Unit 0.85 W max.</li> <li>Connected to a Communications Coupler Unit 0.45 W max.</li> </ul>
<b>I/O current consumption</b>	No consumption
<b>Weight</b>	65 g max.

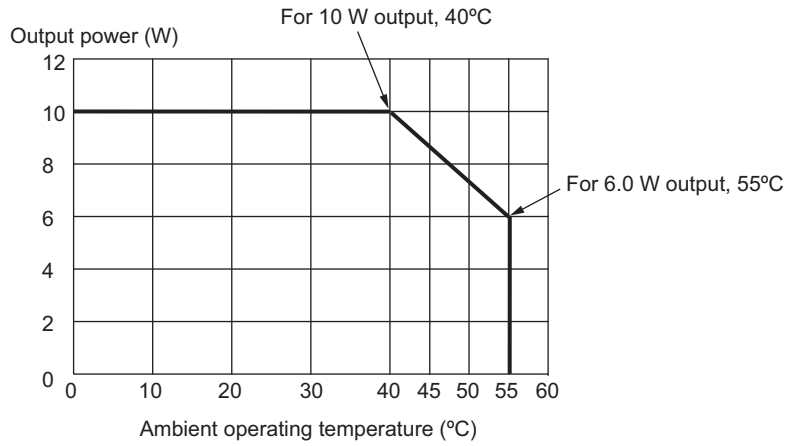


**Installation orientation and restrictions**

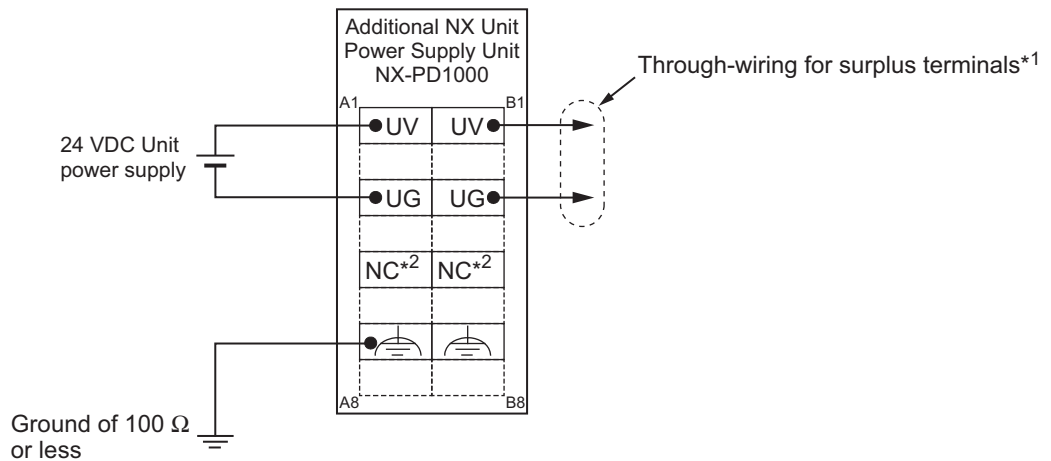
- Installation orientation:
- Connected to a CPU Unit or Communication Control Unit: Possible in upright installation.
  - Connected to a Communications Coupler Unit: Possible in 6 orientations.
- Restrictions:
- For upright installation



- For any installation other than upright



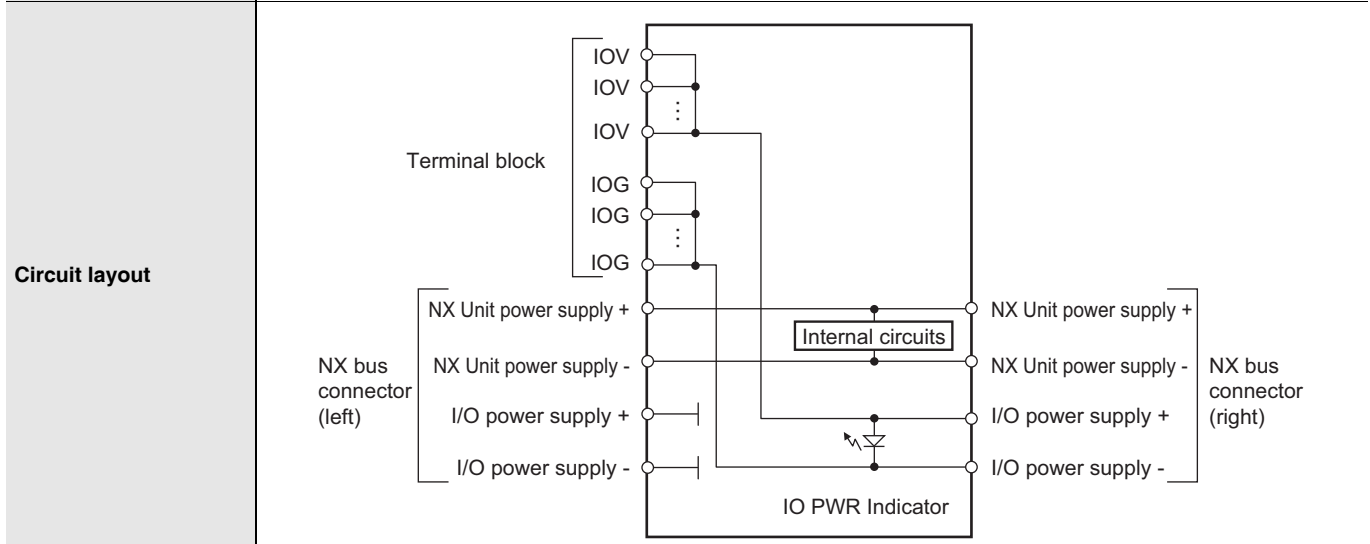
**Terminal connection diagram**



\*1. You can use the unwired terminals of the Unit power supply terminals (UV/UG) for through-wiring of the Additional NX Unit Power Supply Unit or the Unit power supply terminals on the EtherCAT Coupler Unit.  
 \*2. The NC terminal is not connected to the internal circuit.

**Additional I/O Power Supply Units NX-PF0□30**

<b>Unit name</b>	Additional I/O Power Supply Unit	
<b>Model</b>	NX-PF0630	NX-PF0730
<b>External connection terminals</b>	Screwless push-in terminal block (8 terminals)	
<b>Power supply voltage</b>	5 to 24 VDC (4.5 to 28.8 VDC)*	
<b>I/O power supply maximum current</b>	4 A	10 A
<b>Current capacity of I/O power supply terminal</b>	4 A max.	10 A max.
<b>Dimensions</b>	12 (W) × 100 (H) 71 × (D)	
<b>Isolation method</b>	No-isolation	
<b>Insulation resistance</b>	20 MΩ min. between isolated circuits (at 100 VDC)	
<b>Dielectric strength</b>	510 VAC between isolated circuits for 1 minute at a leakage current of 5 mA max.	
<b>NX Unit power consumption</b>	<ul style="list-style-type: none"> <li>Connected to a CPU Unit or Communication Control Unit 0.85 W max.</li> <li>Connected to a Communications Coupler Unit 0.45 W max.</li> </ul>	
<b>I/O current consumption</b>	10 mA max.	
<b>Weight</b>	65 g max.	

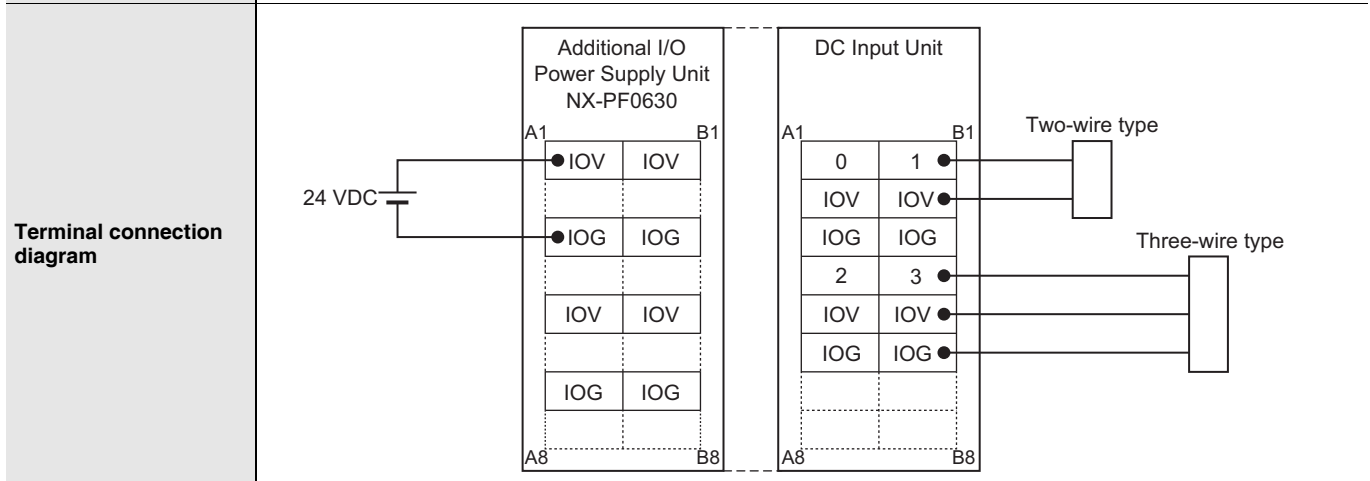


**Installation orientation and restrictions**

Installation orientation:

- Connected to a CPU Unit or Communication Control Unit: Possible in upright installation.
- Connected to a Communications Coupler Unit: Possible in 6 orientations.

Restrictions: No restrictions

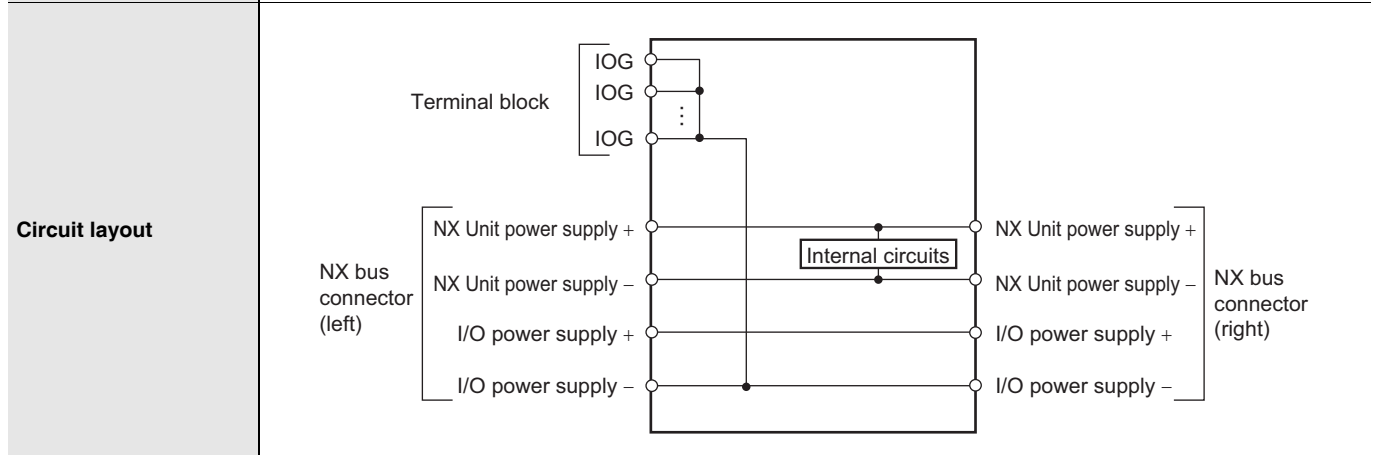


<b>Overload/low voltage detection</b>	Not supported	
<b>Protective function</b>	Not supported.	

\* Use an output voltage that is appropriate for the I/O circuits of the NX Units and the connected external devices.

**I/O Power Supply Connection Unit IOG terminal type NX-PC0010**

<b>Unit name</b>	I/O Power Supply Connection Unit
<b>Model</b>	NX-PC0010
<b>External connection terminals</b>	Screwless push-in terminal block (16 terminals)
<b>Number of I/O power supply terminals</b>	IOG: 16 terminals
<b>Current capacity of I/O power supply terminal</b>	4 A/terminal max.
<b>Dimensions</b>	12 (W) × 100 (H) 71 ×(D)
<b>Isolation method</b>	No-isolation
<b>Insulation resistance</b>	20 MΩ min. between isolated circuits (at 100 VDC)
<b>Dielectric strength</b>	510 VAC between isolated circuits for 1 minute at a leakage current of 5 mA max.
<b>NX Unit power consumption</b>	<ul style="list-style-type: none"> <li>Connected to a CPU Unit or Communication Control Unit 0.85 W max.</li> <li>Connected to a Communications Coupler Unit 0.45 W max.</li> </ul>
<b>I/O current consumption</b>	No consumption
<b>Weight</b>	65 g max.

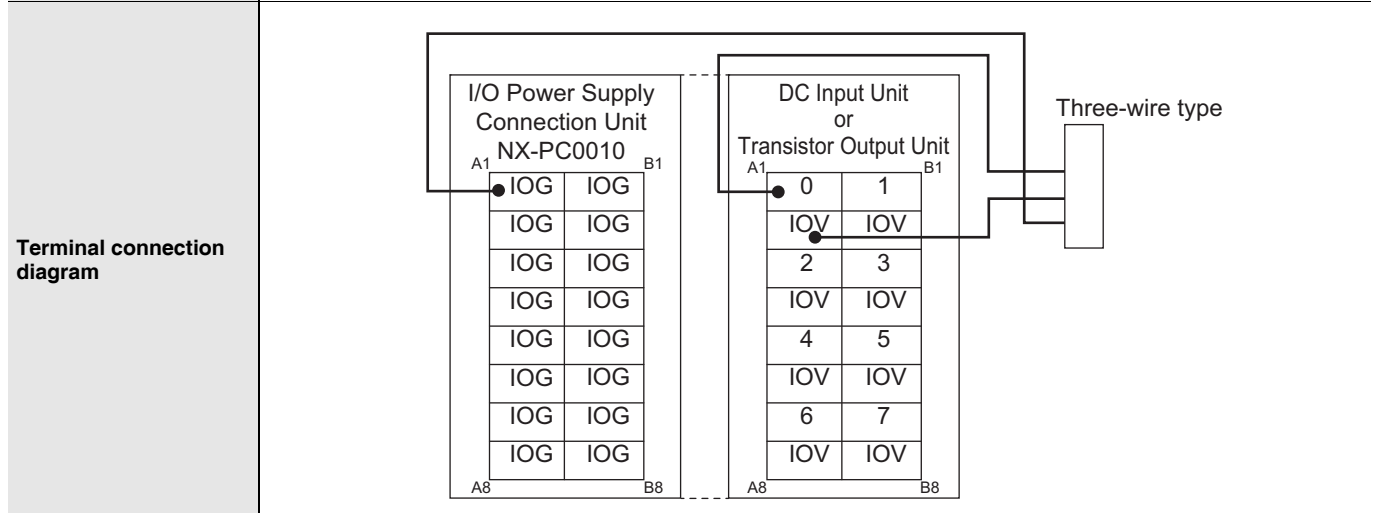


**Installation orientation and restrictions**

Installation orientation:

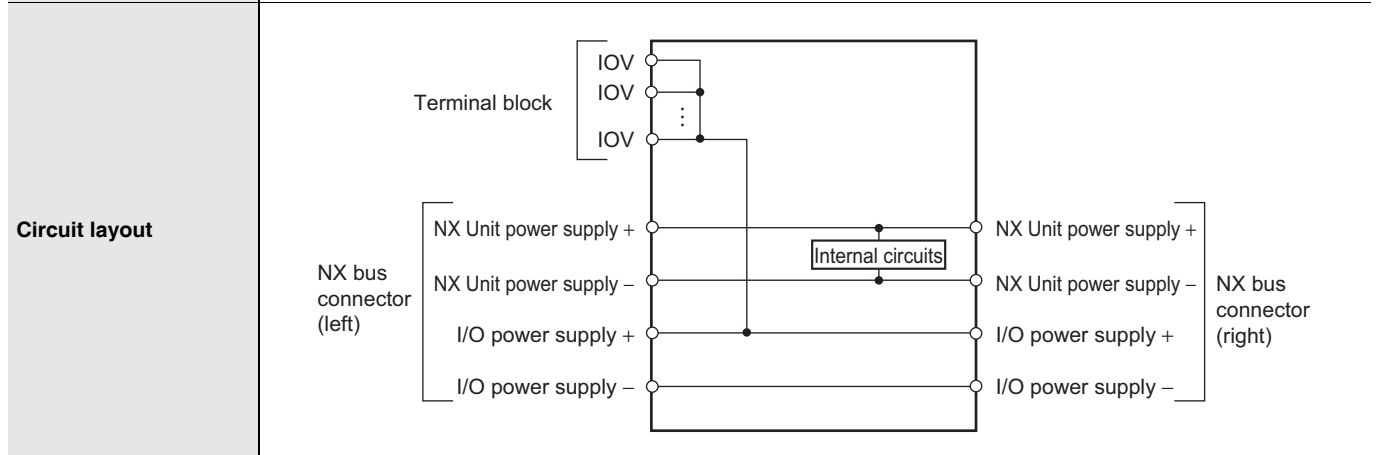
- Connected to a CPU Unit or Communication Control Unit: Possible in upright installation.
- Connected to a Communications Coupler Unit: Possible in 6 orientations.

Restrictions: No restrictions



**I/O Power Supply Connection Unit IOV terminal type NX-PC0020**

<b>Unit name</b>	I/O Power Supply Connection Unit
<b>Model</b>	NX-PC0020
<b>External connection terminals</b>	Screwless push-in terminal block (16 terminals)
<b>Number of I/O power supply terminals</b>	IOV: 16 terminals
<b>Current capacity of I/O power supply terminal</b>	4 A/terminal max.
<b>Dimensions</b>	12 (W) × 100 (H) 71 × (D)
<b>Isolation method</b>	No-isolation
<b>Isolation resistance</b>	20 MΩ min. between isolated circuits (at 100 VDC)
<b>Dielectric strength</b>	510 VAC between isolated circuits for 1 minute at a leakage current of 5 mA max.
<b>NX Unit power consumption</b>	<ul style="list-style-type: none"> <li>Connected to a CPU Unit or Communication Control Unit 0.85 W max.</li> <li>Connected to a Communications Coupler Unit 0.45 W max.</li> </ul>
<b>I/O current consumption</b>	No consumption
<b>Weight</b>	65 g max.

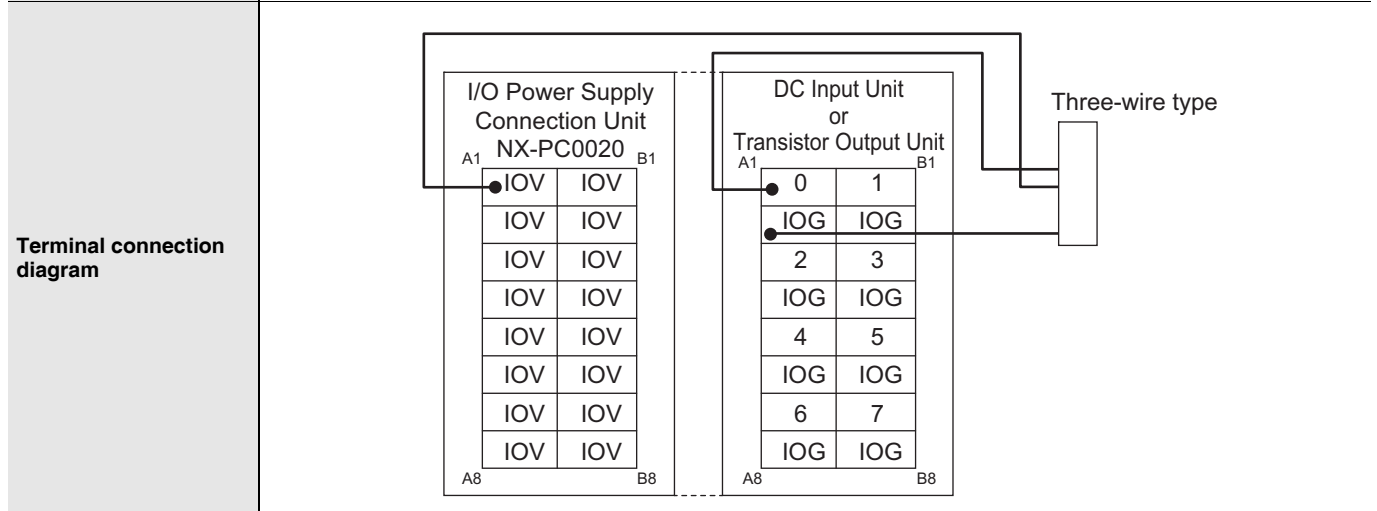


**Installation orientation and restrictions**

Installation orientation:

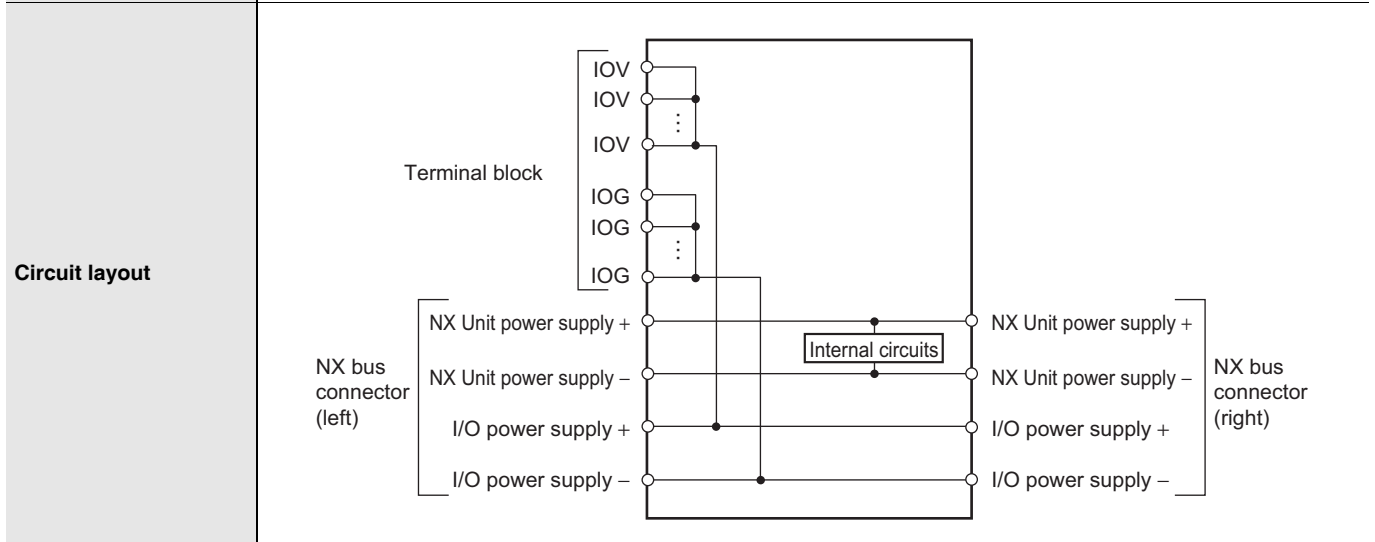
- Connected to a CPU Unit or Communication Control Unit: Possible in upright installation.
- Connected to a Communications Coupler Unit: Possible in 6 orientations.

Restrictions: No restrictions



**I/O Power Supply Connection Unit IOV/IOG terminal type NX-PC0030**

<b>Unit name</b>	I/O Power Supply Connection Unit
<b>Model</b>	NX-PC0030
<b>External connection terminals</b>	Screwless push-in terminal block (16 terminals)
<b>Number of I/O power supply terminals</b>	IOV: 8 terminals IOG: 8 terminals
<b>Current capacity of I/O power supply terminal</b>	4 A/terminal max.
<b>Dimensions</b>	12 (W) × 100 (H) 71 × (D)
<b>Isolation method</b>	No-isolation
<b>Insulation resistance</b>	20 MΩ min. between isolated circuits (at 100 VDC)
<b>Dielectric strength</b>	510 VAC between isolated circuits for 1 minute at a leakage current of 5 mA max.
<b>NX Unit power consumption</b>	<ul style="list-style-type: none"> <li>Connected to a CPU Unit or Communication Control Unit 0.85 W max.</li> <li>Connected to a Communications Coupler Unit 0.45 W max.</li> </ul>
<b>I/O current consumption</b>	No consumption
<b>Weight</b>	65 g max.

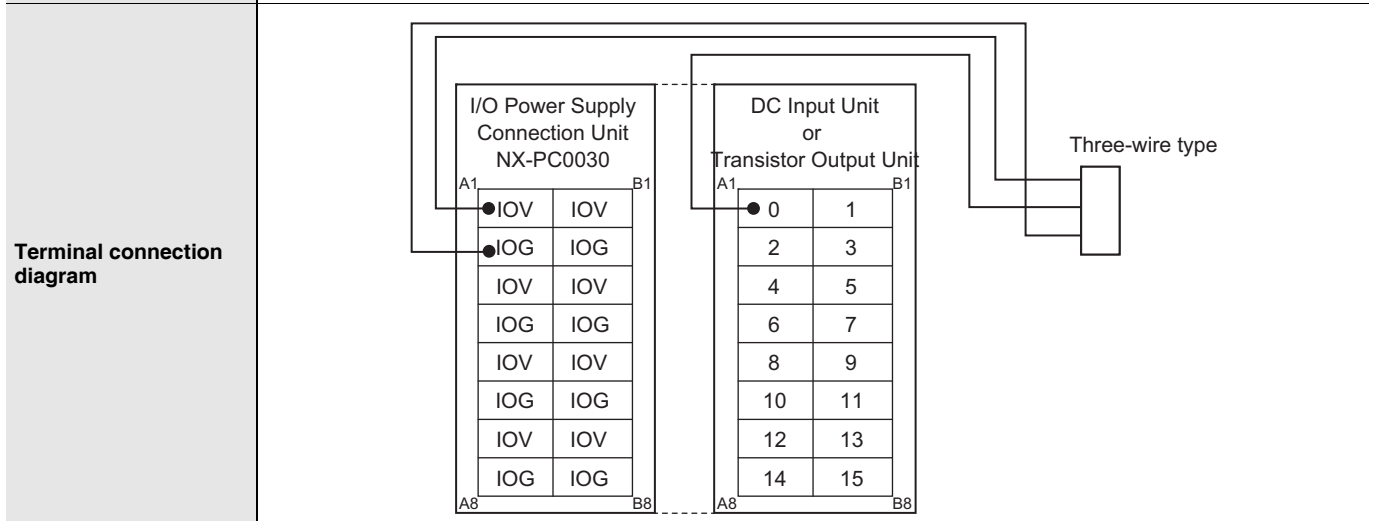


**Installation orientation and restrictions**

Installation orientation:

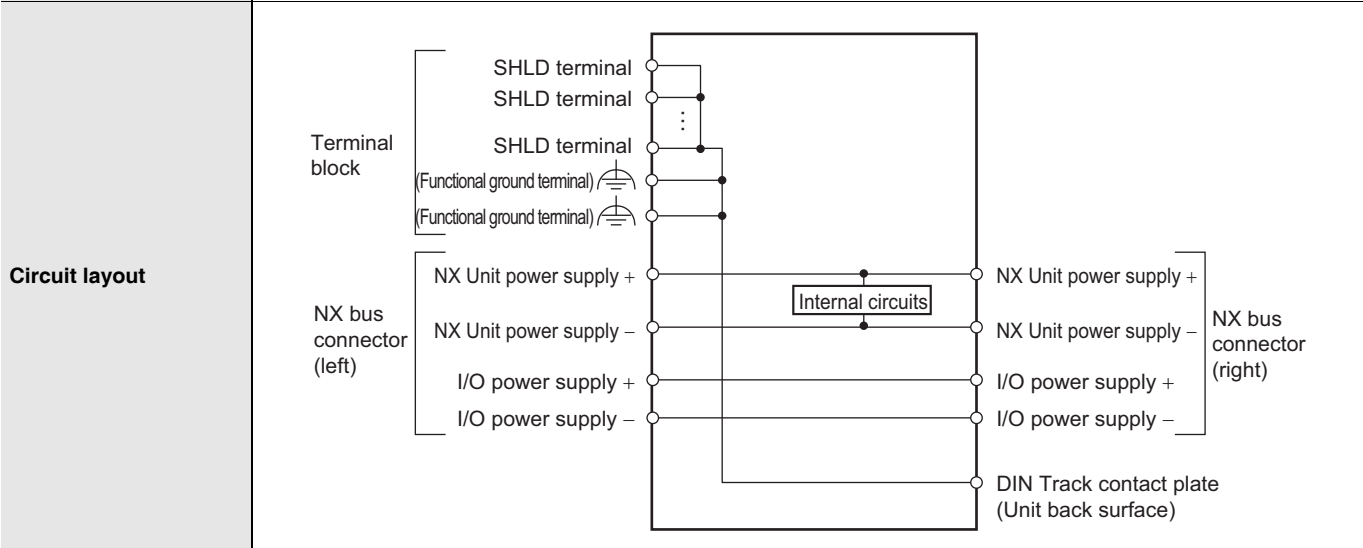
- Connected to a CPU Unit or Communication Control Unit: Possible in upright installation.
- Connected to a Communications Coupler Unit: Possible in 6 orientations.

Restrictions: No restrictions



**Shield Connection Unit NX-TBX01**

<b>Unit name</b>	Shield Connection Unit
<b>Model</b>	NX-TBX01
<b>External connection terminals</b>	Screwless push-in terminal block (16 terminals)
<b>Number of shield terminals</b>	14 terminals (The following two terminals are functional ground terminals.)
<b>Dimensions</b>	12 (W) × 100 (H) 71 × (D)
<b>Isolation method</b>	Isolation between the SHLD functional ground terminal, and internal circuit: No-isolation
<b>Insulation resistance</b>	20 MΩ min. between isolated circuits (at 100 VDC)
<b>Dielectric strength</b>	510 VAC between isolated circuits for 1 minute at a leakage current of 5 mA max.
<b>NX Unit power consumption</b>	<ul style="list-style-type: none"> <li>Connected to a CPU Unit or Communication Control Unit 0.85 W max.</li> <li>Connected to a Communications Coupler Unit 0.45 W max.</li> </ul>
<b>I/O current consumption</b>	No consumption
<b>Weight</b>	65 g max.

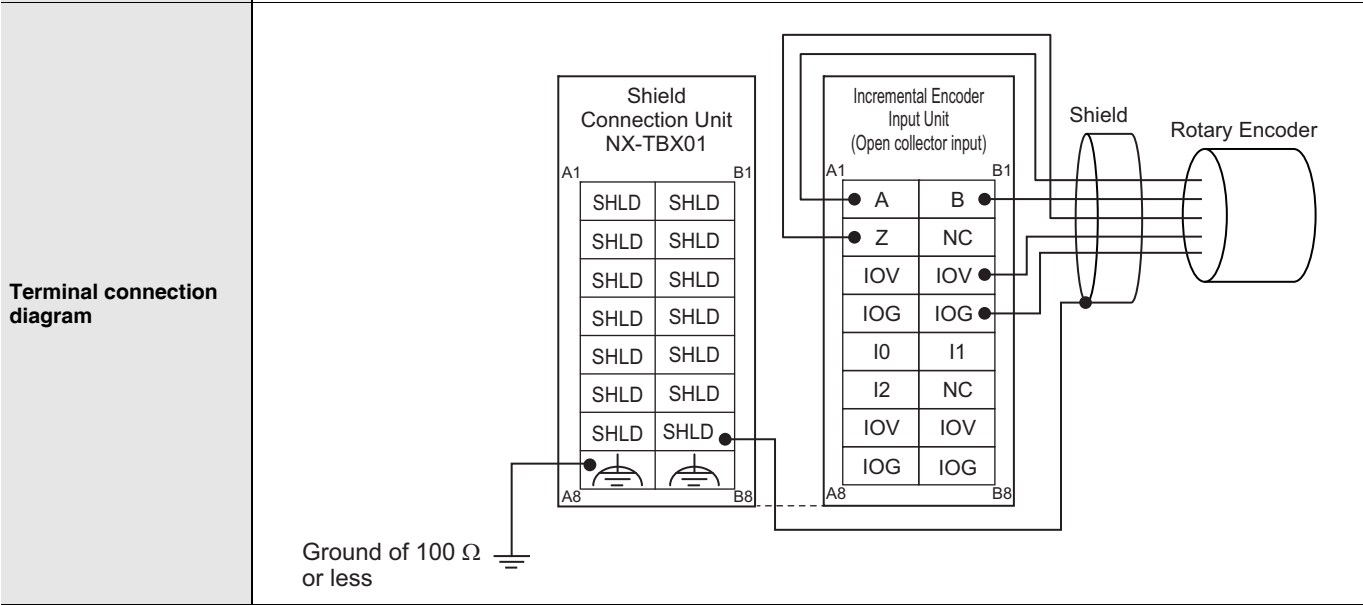


**Installation orientation and restrictions**

Installation orientation:

- Connected to a CPU Unit or Communication Control Unit: Possible in upright installation.
- Connected to a Communications Coupler Unit: Possible in 6 orientations.

Restrictions: No restrictions



## Version Information

### Connecting with CPU Units

Refer to the user's manual for the CPU Unit for the models of CPU Unit to which NX Units can be connected.

NX Unit		Corresponding unit versions/versions	
Model	Unit Version	CPU Unit	Sysmac Studio
NX-PD1000	Ver.1.0	Ver.1.13	Ver.1.17
NX-PF0630			
NX-PF0730			
NX-PC0020			
NX-PC0010			
NX-PC0030			
NX-TBX01			

**Note:** Some Units do not have all of the versions given in the above table. If a Unit does not have the specified version, support is provided by the oldest available version after the specified version. Refer to the user's manuals for the specific Units for the relation between models and versions.

### Connecting with EtherCAT Coupler Units

NX Unit		Corresponding unit versions/versions		
Model	Unit Version	EtherCAT Coupler Unit	CPU Units or Industrial PCs	Sysmac Studio
NX-PD1000	Ver.1.0	Ver.1.0	Ver.1.05	Ver.1.06
NX-PF0630				
NX-PF0730				
NX-PC0020				
NX-PC0010				
NX-PC0030				
NX-TBX01				

**Note:** Some Units do not have all of the versions given in the above table. If a Unit does not have the specified version, support is provided by the oldest available version after the specified version. Refer to the user's manuals for the specific Units for the relation between models and versions.

### Connecting with EtherNet/IP Coupler Unit

NX Unit		Corresponding unit versions/versions					
Model	Unit version	Application with an NJ/NX/NY-series Controller *1			Application with a CS/CJ/CP-series PLC *2		
		EtherNet/IP Coupler Unit	CPU Unit or Industrial PC	Sysmac Studio	EtherNet/IP Coupler Unit	Sysmac Studio	NX-IO Configurator *3
NX-PD1000	Ver. 1.0	Ver. 1.2	Ver. 1.14	Ver. 1.19	Ver. 1.0	Ver. 1.10	Ver. 1.00
NX-PF0630							
NX-PF0730							
NX-PC0020							
NX-PC0010							
NX-PC0030							
NX-TBX01							

**Note:** Some Units do not have all of the versions given in the above table. If a Unit does not have the specified version, support is provided by the oldest available version after the specified version. Refer to the user's manuals for the specific Units for the relation between models and versions.

\*1. Refer to the user's manual for the EtherNet/IP Coupler Units for information on the unit versions of EtherNet/IP Units that are compatible with EtherNet/IP Coupler Units.

\*2. Refer to the user's manual for the EtherNet/IP Coupler Units for information on the unit versions of CPU Units and EtherNet/IP Units that are compatible with EtherNet/IP Coupler Units.

\*3. For connection to an EtherNet/IP Coupler Unit with unit version 1.0, You can connect only to the peripheral USB port on the EtherNet/IP Coupler Unit. You cannot connect with any other path. If you need to connect by another path, use an EtherNet/IP Coupler Unit with unit version 1.2 or later.

### Connecting with Communication Control Units

NX Unit		Corresponding unit versions/versions	
Model	Unit version	Communication Control Unit	Sysmac Studio
NX-PD1000	Ver. 1.0	Ver.1.00	Ver.1.24
NX-PF0630			
NX-PF0730			
NX-PC0020			
NX-PC0010			
NX-PC0030			
NX-TBX01			

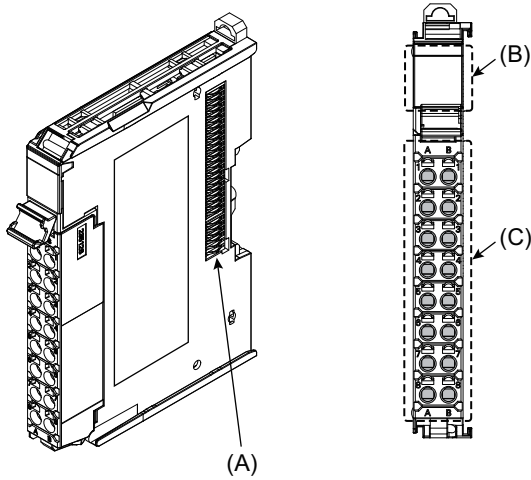
**Note:** Some Units do not have all of the versions given in the above table. If a Unit does not have the specified version, support is provided by the oldest available version after the specified version. Refer to the user's manuals for the specific Units for the relation between models and versions.



## External Interface

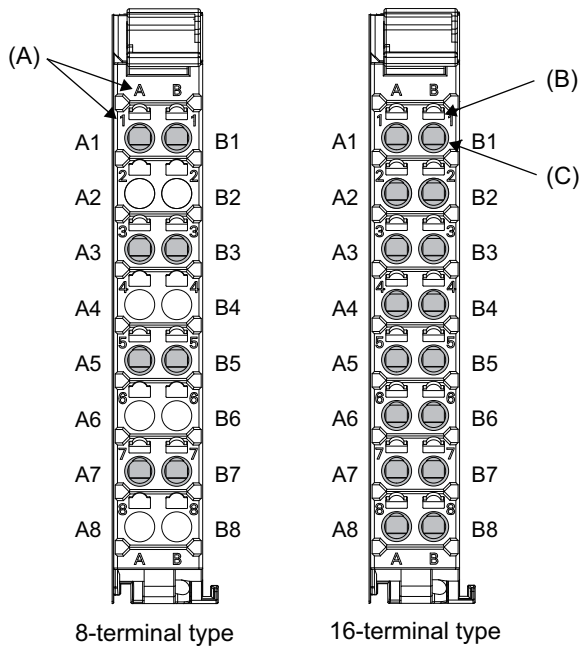
### Additional NX Unit Power Supply Unit, Additional I/O Power Supply Unit, I/O Power Supply Connection Unit, and Shield Connection Unit

NX-PD1000/NX-PF0□30/NX-PC00□0/NX-TBX01



Symbol	Name	Function
(A)	NX bus connector	This connector is used to connect each Unit.
(B)	Indicators	The indicators show the current operating status of the Unit.
(C)	Terminal block	The terminal block is used to connect external devices. The number of terminals depends on the type of Unit.

### Terminal Blocks



Symbol	Name	Function
{A}	Terminal number indications	Terminal numbers for which A and B indicate the column, and 1 to 8 indicate the line are displayed. The terminal number is a combination of column and line, so A1 to A8 and B1 to B8 are displayed. The terminal number indications are the same regardless of the number of terminals on the terminal block.
(B)	Release holes	Insert a flat-blade screwdriver into these holes to connect and remove the wires.
(C)	Terminal holes	The wires are inserted into these holes.

### Applicable Terminal Blocks for Each Unit Model

Unit model	Terminal Blocks				
	Model	No. of terminals	Terminal number indications	Ground terminal mark	Terminal current capacity
NX-PD1000	NX-TBC082	8	A/B	Provided	10 A
NX-PF0630	NX-TBA082	8	A/B	None	10 A
NX-PF0730	NX-TBA082	8	A/B	None	10 A
NX-PC□□□□	NX-TBA162	16	A/B	None	10 A
NX-TBX01	NX-TBC162	16	A/B	Provided	10 A

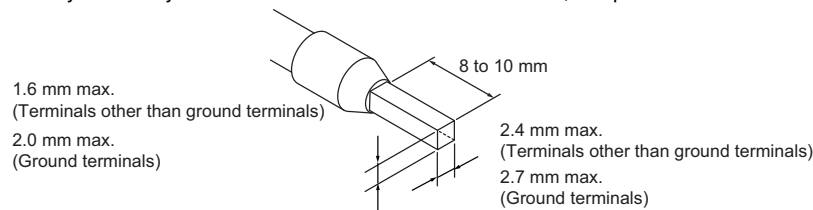
### Applicable Wires Using Ferrules

If you use ferrules, attach the twisted wires to them.  
 Observe the application instructions for your ferrules for the wire stripping length when attaching ferrules.  
 Always use plated one-pin ferrules. Do not use unplated ferrules or two-pin ferrules.

The applicable ferrules, wires, and crimping tool are given in the following table.

Terminal types	Manufacturer	Ferrule model	Applicable wire (mm <sup>2</sup> (AWG))	Crimping tool
Terminals other than ground terminals	Phoenix Contact	AI0,34-8	0.34 (#22)	Phoenix Contact (The figure in parentheses is the applicable wire size.) CRIMPFOX 6 (0.25 to 6 mm <sup>2</sup> , AWG 24 to 10)
		AI0,5-8	0.5 (#20)	
		AI0,5-10	0.75 (#18)	
		AI0,75-8		
		AI0,75-10	1.0 (#18)	
		AI1,0-8		
		AI1,0-10	1.5 (#16)	
		AI1,5-8		
AI1,5-10				
Ground terminals		AI2,5-10	2.0 *1	
Terminals other than ground terminals	Weidmuller	H0.14/12	0.14 (#26)	Weidmuller (The figure in parentheses is the applicable wire size.) PZ6 Roto (0.14 to 6 mm <sup>2</sup> , AWG 26 to 10)
		H0.25/12	0.25 (#24)	
		H0.34/12	0.34 (#22)	
		H0.5/14	0.5 (#20)	
		H0.5/16		
		H0.75/14	0.75 (#18)	
		H0.75/16		
		H1.0/14	1.0 (#18)	
		H1.0/16		
		H1.5/14	1.5 (#16)	
H1.5/16				

\*1. Some AWG 14 wires exceed 2.0 mm<sup>2</sup> and cannot be used in the screwless clamping terminal block.  
 When you use any ferrules other than those in the above table, crimp them to the twisted wires so that the following processed dimensions are achieved.

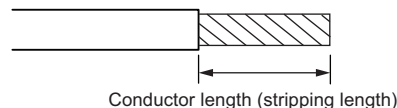


### Using Twisted Wires/Solid Wires

If you use the twisted wires or the solid wires, use the following table to determine the correct wire specifications.

Terminals		Wire type				Wire size	Conductor length (stripping length)
		Twisted wires		Solid wire			
Classification	Current capacity	Plated	Unplated	Plated	Unplated		
All terminals except ground terminals	2 A max.	Possible	Possible	Possible	Possible	0.08 to 1.5 mm <sup>2</sup> AWG28 to 16	8 to 10 mm
	Greater than 2 A and 4 A or less		Not Possible	Possible *1	Not Possible		
	Greater than 4 A		Possible *1	Not Possible	Not Possible		
Ground terminals	---	Possible	Possible	Possible *2	Possible *2	2.0 mm <sup>2</sup>	9 to 10 mm

\*1. Secure wires to the screwless clamping terminal block. Refer to the Securing Wires in the USER'S MANUAL for how to secure wires.  
 \*2. With the NX-TB□□□1 Terminal Block, use twisted wires to connect the ground terminal. Do not use a solid wire.



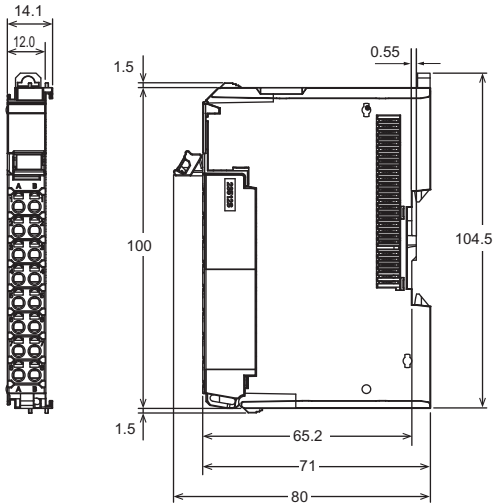
<Additional Information> If more than 2 A will flow on the wires, use plated wires or use ferrules.

## Dimensions

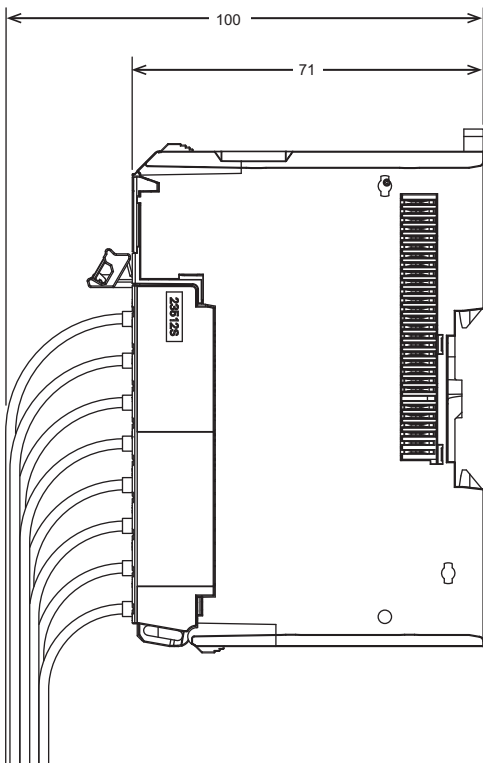
### Additional NX Unit Power Supply Unit, Additional I/O Power Supply Unit, I/O Power Supply Connection Unit, and Shield Connection Unit

NX-PD1000/NX-PF0□30/NX-PC00□0/NX-TBX01

● Unit Only



● With Cables Connected



## Related Manuals

Man. No	Model	Manual	Application	Description
W523	NX-PD1 □□□ NX-PF0 □□□ NX-PC0 □□□ NX-TBX01	NX-series System Unit User's Manual	Learning how to use NX-series System Units	The hardware and functions of the NX-series System Units are described.

## Terms and Conditions Agreement

### Read and understand this catalog.

Please read and understand this catalog before purchasing the products. Please consult your OMRON representative if you have any questions or comments.

### Warranties.

(a) Exclusive Warranty. Omron's exclusive warranty is that the Products will be free from defects in materials and workmanship for a period of twelve months from the date of sale by Omron (or such other period expressed in writing by Omron). Omron disclaims all other warranties, express or implied.

(b) Limitations. OMRON MAKES NO WARRANTY OR REPRESENTATION, EXPRESS OR IMPLIED, ABOUT NON-INFRINGEMENT, MERCHANTABILITY OR FITNESS FOR A PARTICULAR PURPOSE OF THE PRODUCTS. BUYER ACKNOWLEDGES THAT IT ALONE HAS DETERMINED THAT THE PRODUCTS WILL SUITABLY MEET THE REQUIREMENTS OF THEIR INTENDED USE.

Omron further disclaims all warranties and responsibility of any type for claims or expenses based on infringement by the Products or otherwise of any intellectual property right. (c) Buyer Remedy. Omron's sole obligation hereunder shall be, at Omron's election, to (i) replace (in the form originally shipped with Buyer responsible for labor charges for removal or replacement thereof) the non-complying Product, (ii) repair the non-complying Product, or (iii) repay or credit Buyer an amount equal to the purchase price of the non-complying Product; provided that in no event shall Omron be responsible for warranty, repair, indemnity or any other claims or expenses regarding the Products unless Omron's analysis confirms that the Products were properly handled, stored, installed and maintained and not subject to contamination, abuse, misuse or inappropriate modification. Return of any Products by Buyer must be approved in writing by Omron before shipment. Omron Companies shall not be liable for the suitability or unsuitability or the results from the use of Products in combination with any electrical or electronic components, circuits, system assemblies or any other materials or substances or environments. Any advice, recommendations or information given orally or in writing, are not to be construed as an amendment or addition to the above warranty.

See <http://www.omron.com/global/> or contact your Omron representative for published information.

### Limitation on Liability: Etc.

OMRON COMPANIES SHALL NOT BE LIABLE FOR SPECIAL, INDIRECT, INCIDENTAL, OR CONSEQUENTIAL DAMAGES, LOSS OF PROFITS OR PRODUCTION OR COMMERCIAL LOSS IN ANY WAY CONNECTED WITH THE PRODUCTS, WHETHER SUCH CLAIM IS BASED IN CONTRACT, WARRANTY, NEGLIGENCE OR STRICT LIABILITY.

Further, in no event shall liability of Omron Companies exceed the individual price of the Product on which liability is asserted.

### Suitability of Use.

Omron Companies shall not be responsible for conformity with any standards, codes or regulations which apply to the combination of the Product in the Buyer's application or use of the Product. At Buyer's request, Omron will provide applicable third party certification documents identifying ratings and limitations of use which apply to the Product. This information by itself is not sufficient for a complete determination of the suitability of the Product in combination with the end product, machine, system, or other application or use. Buyer shall be solely responsible for determining appropriateness of the particular Product with respect to Buyer's application, product or system. Buyer shall take application responsibility in all cases.

NEVER USE THE PRODUCT FOR AN APPLICATION INVOLVING SERIOUS RISK TO LIFE OR PROPERTY OR IN LARGE QUANTITIES WITHOUT ENSURING THAT THE SYSTEM AS A WHOLE HAS BEEN DESIGNED TO ADDRESS THE RISKS, AND THAT THE OMRON PRODUCT(S) IS PROPERLY RATED AND INSTALLED FOR THE INTENDED USE WITHIN THE OVERALL EQUIPMENT OR SYSTEM.

### Programmable Products.

Omron Companies shall not be responsible for the user's programming of a programmable Product, or any consequence thereof.

### Performance Data.

Data presented in Omron Company websites, catalogs and other materials is provided as a guide for the user in determining suitability and does not constitute a warranty. It may represent the result of Omron's test conditions, and the user must correlate it to actual application requirements. Actual performance is subject to the Omron's Warranty and Limitations of Liability.

### Change in Specifications.

Product specifications and accessories may be changed at any time based on improvements and other reasons. It is our practice to change part numbers when published ratings or features are changed, or when significant construction changes are made. However, some specifications of the Product may be changed without any notice. When in doubt, special part numbers may be assigned to fix or establish key specifications for your application. Please consult with your Omron's representative at any time to confirm actual specifications of purchased Product.

### Errors and Omissions.

Information presented by Omron Companies has been checked and is believed to be accurate; however, no responsibility is assumed for clerical, typographical or proofreading errors or omissions.

2020.2

In the interest of product improvement, specifications are subject to change without notice.

**OMRON Corporation**  
Industrial Automation Company

<http://www.ia.omron.com/>

(c)Copyright OMRON Corporation 2020 All Right Reserved.