

ULI-252D BB-9PCDT

RS-232 Data Tap



Features

- Monitor and record serial data streams
- Easy in-line installation, may be left in place
- Transparent connections
- No external power required
- FCC, CE

Introduction

Model ULI-252D allows an RS-232 port to tap into and check data being transmitted between two other RS-232 ports. Tap into a serial data stream and transparently feed another monitor, printer or other device. The data tap connects the device, in series, with the RS-232 line to be tapped. DIP switches set programming to monitor the main Transmit and Receive lines individually or together. Choose between monitoring the DCE or DTE port. It also allows the monitoring port to be either DTE or DCE. The DTE connector is male, and DCE and "tap" connectors are female.

Specifications

Serial Technology

- RS-232 Connectors Straight-through ports: (1) DB9 male, (1) DB9 female
Monitoring port: (1) DB9 female

Mechanical

- Enclosure Plastic
- Dimensions 52.9 x 33.3 x 17.4 mm
- Mounting In-line installation
- Weight 63.5 gm

Environmental

- Operating Temperature 0 to +70 °C
- Storage Temperature -40 to +85 °C
- Operating Humidity 95%, non-condensing

Meantime Between Failures (MTBF)

- Calculation Method MIL217F Parts Count Reliability Prediction
- MTBF 3438790 hours

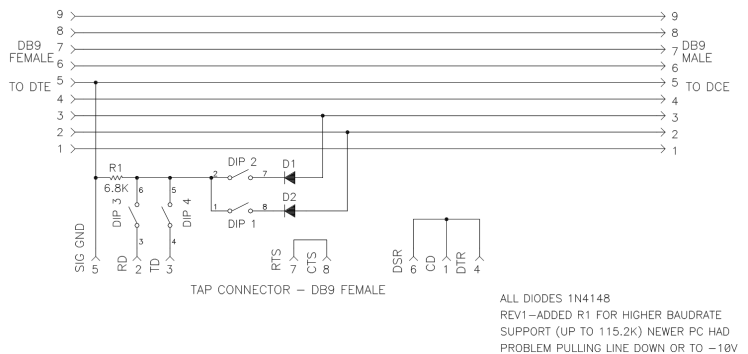
Regulatory/Approvals/Certifications

- Approvals FCC, CE
- CE Directives 2014/30/EU – Electromagnetic Compatibility Directive
2011-65/EU – amended by (EU) 2015/863 Reduction of Hazardous Substances Directive
2012/19/EU – Waste Electrical and Electronic Equipment
- CE Standards Note: EMC Directive 2014/30/EU, Section 12, states: "This Directive should not regulate equipment which is inherently benign in terms of electromagnetic compatibility." Thus, neither the EMC Directive nor emissions and immunity EMC standards apply to this product.

Ordering Information

Model	Part Number to Order	Description
ULI-252D	BB-9PCDT	RS-232 Data Tap – 2 DB9F / 1 DB9M

Pin-out Diagram



Dimensions - ULI-252D

Unit = mm / in

