

Ethernet Coaxial Extender for 10/100 Networks

EIS-EXTEND-C



PRODUCT FEATURES

- One 10/100Base TX (TX) Ethernet port with RJ-45 connector
- Auto negotiation of speed and duplex mode on TX port
- Auto MDI/MDIX on Ethernet port
- IEEE 802.3 10BaseT and IEEE 802.3u 100BaseTX compliant
- Line port uses BNC connector or F-Type connector
- Line port link is full-duplex up to 85Mbps over existing coaxial cable
- One DIP switch for configuring local or remote mode
- Status LED's for monitoring and connection status
- External AC to DC power adapter included
- Used as a stand-alone device or with a 19 inch rack chassis
- Hot-swappable when used in 19 inch rack chassis

The model EIS-EXTEND-C allows your existing coaxial cable to be used to extend Ethernet connections up to 8530 feet (2,600 M).

Two EIS-EXTEND-C models are required for the Ethernet extension, (one at each end of your extension points). This product can be used with included power supply or in a 19 inch rack mount chassis, which can house up to 16 EIS-EXTEND-C units or EIS Media Converters.

ORDERING INFORMATION

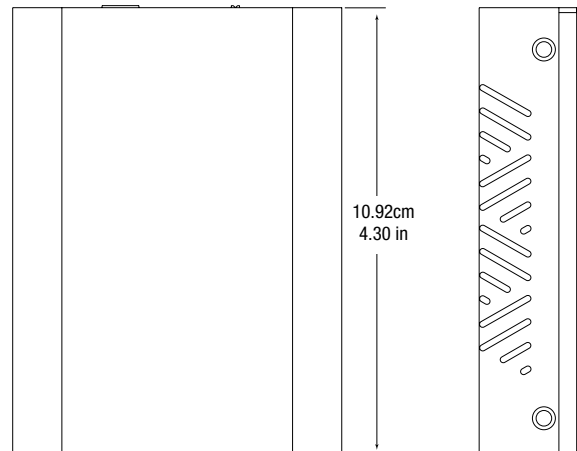
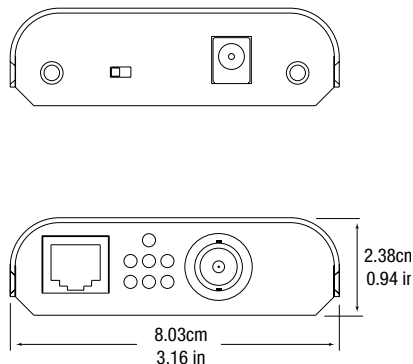
MODEL NUMBER	DESCRIPTION
EIS-EXTEND-C	10/100-TX Ethernet Copper Extender w/USA Power Adaptor
EIS-EXTEND-C-UK	10/100-TX Ethernet Copper Extender w/USA Power Adaptor
EIS-EXTEND-C-EU	10/100-TX Ethernet Copper Extender w/EU Power Adaptor

ACCESSORIES

EIS-RACK-PS - Power Supply For EIS-Rack-16, 84 Watts

EIS-RACK-16 - Media Converter 19 Inch 2U Rack Chassis - 16 Slots

MECHANICAL DIAGRAM



Ethernet Coaxial Extender for 10/100 Networks

EIS-EXTEND-C



SPECIFICATIONS

ETHERNET TECHNOLOGY	
Standards	IEEE802.3 10Base-T, IEEE802.3u 100Base-TX, IEEE802.3x, Ethernet over VDSL
Protocols	Transparent to higher layer protocols
Processing Type	IEEE802.3x Full-duplex flow control
INTERFACE	
Ethernet Port	RJ-45, 10/100Base-TX Full/Half-duplex Auto-Negotiation, Auto-MDI/MDIX
Speed	10/100Mbps
Distance	328 ft. (100meters)
Cable	10Base-T: UTP CAT. 3, 4, 5 (2-pair wire), 100Base-TX: UTP CAT. 5 (2-pair wire)
Extender Line Port	BNC Coaxial
Speed	1/5/10/20/30/40/50/60/70/75Mbps
Distance	8,530 ft. (2,600meters)
Cable	Coaxial Cable (5C2V / RG6AU)
POWER	
Input Voltage	12 VDC
Power Consumption	5.76W Max. 0.48A@12VDC
ENVIRONMENTAL	
Operating Temperature:	-10°C to 60°C (14°F to 140°F)
Storage Temperature	-20°C to 70°C (-4°F to 158°F)
Humidity	5% to 95% (non-condensing)
MTBF	57,515 hours
MTBF Calculation	Parts count reliability prediction
MECHANICAL	
Enclosure	Aluminum case
Dimensions	8.03cm (W) x 10.92cm (D) x 2.38cm (H) 3.16" (W) x 4.30" (D) x 0.94" (H)
Weight	150g (0.33 lb.)

TOP LEDS (BNC LINE CONNECTIONS)

LEDs	Status	Speed	Distance
1	Green	1~5Mbps	up to 2600M
	Amber	6~10Mbps	up to 2400M
2	Green	11~16Mbps	up to 2000M
	Amber	17~20Mbps	up to 1800M
3	Green	21~29Mbps	up to 1600M
	Amber	30~43Mbps	up to 1400M
4	Green	44~54Mbps	up to 1200M
	Amber	55~63Mbps	up to 1000M
5	Green	64~74Mbps	up to 600M
	Amber	75~85Mbps	up to 200M

REGULATORY APPROVALS

RoHS - Yes	
Safety	UL60950-1, EN60950-1, IEC60950-1 FCC Part 15, Class A VCCI, Class A
EMI	EN61000-6-3 EN55022, EN61000-3-2, EN61000-3-3 EN61000-6-2 EN61000-4-2 (ESD Standards) Contact: + / - 4KV; Criteria B Air: + / - 8KV; Criteria B EN61000-4-3 (Radiated RFI Standards) 10V/m, 80 to 1000MHz; 80% AM Criteria A EN61000-4-4 (Burst Standards) Signal Ports: + / 2KV; Criteria B D.C. Power Ports: + / 2KV; Criteria B EN61000-4-5 (Surge Standards) Signal Ports: + / - 1KV; Line-to-Line; Criteria B D.C. Power Ports: + / - 0.5KV; Line-to-earth; Criteria B EN61000-4-6 (Induced RFI Standards) Signal Ports: 10Vrms @ 0.15~80MHz; 80% AM Criteria A D.C. Power Ports: 10Vrms @ 0.15~80MHz; 80% AM Criteria A EN61000-4-8 (Magnetic Field Standards) 30A/m @ 50, 60Hz; Criteria A
EMS	
Environmental Test Compliance	IEC60068-2-6 Fc (Vibration Resistance) 5g @ 10~150KHz, Amplitude 0.35mm (Operation/Storage/ Transport) IEC60068-2-27 Ea (Shock) 25g @ 11ms (Half-Sine Shock Pulse; Operation) 50g @ 11ms (Half-Sine Shock Pulse; Storage/Transport) IEC60068-2-32 Ed (Free Fall) 1M (3.281 ft.)

FRONT PANEL LEDS (ETHERNET AND LINE CONNECTIONS)

Port	LEDs	Status	Description
Ethernet (RJ-45)	Pwr	Steady	Power on (Pwr stands for POWER)
		Off	Power off
	Lnk/Act	Steady	Valid Ethernet connection established (Lnk stands for LINK)
		Flashing	Transmitting or receiving Ethernet data (Act stands for ACTIVITY)
	Fdx	Off	No valid Ethernet connection nor transmitting/receiving Ethernet data
		Steady	Ethernet connection in full duplex mode (Fdx stands for FULL-DUPLEX)
Line (BNC)	Rmt	Flashing	Collision occurred
		Off	Ethernet connection in half-duplex mode
	Loc	Steady	The device operates in remote mode
		Steady	The device operates in local mode
	Err	Steady	Error occurred
		Lnk	Steady