



**MICRO SWITCH**  
 FREEPORT ILLINOIS  
 A DIVISION OF HONEYWELL  
 FED. MFG. CODE 91929

# SWITCH-BASIC

CATALOG LISTING

**YZ-2RW863-A2**

CATALOG LISTING  
**YZ-2RW863-A2**  
 PAGE 1 OF 1

**M**  
 DRAWING NUMBER

**8**  
 ISSUE

REVISIONS

|          |           |     |           |
|----------|-----------|-----|-----------|
| <b>A</b> | CO16793   | HMF | 6 SEP 62  |
| <b>B</b> | CO21125   | OMW | 5 MAY 66  |
| <b>C</b> | CO61823   | KAG | 6 AUG 67  |
| <b>D</b> | CO73287-J | JAL | 22 NOV 93 |
| <b>E</b> | CO77588   | KDR | 29 MAR 94 |
| <b>F</b> | CO93346   | DLT | 22 SEP 98 |
| <b>G</b> | 0000770   | CSL | 8 JUL 03  |

REPLACES

RELEASE NO.

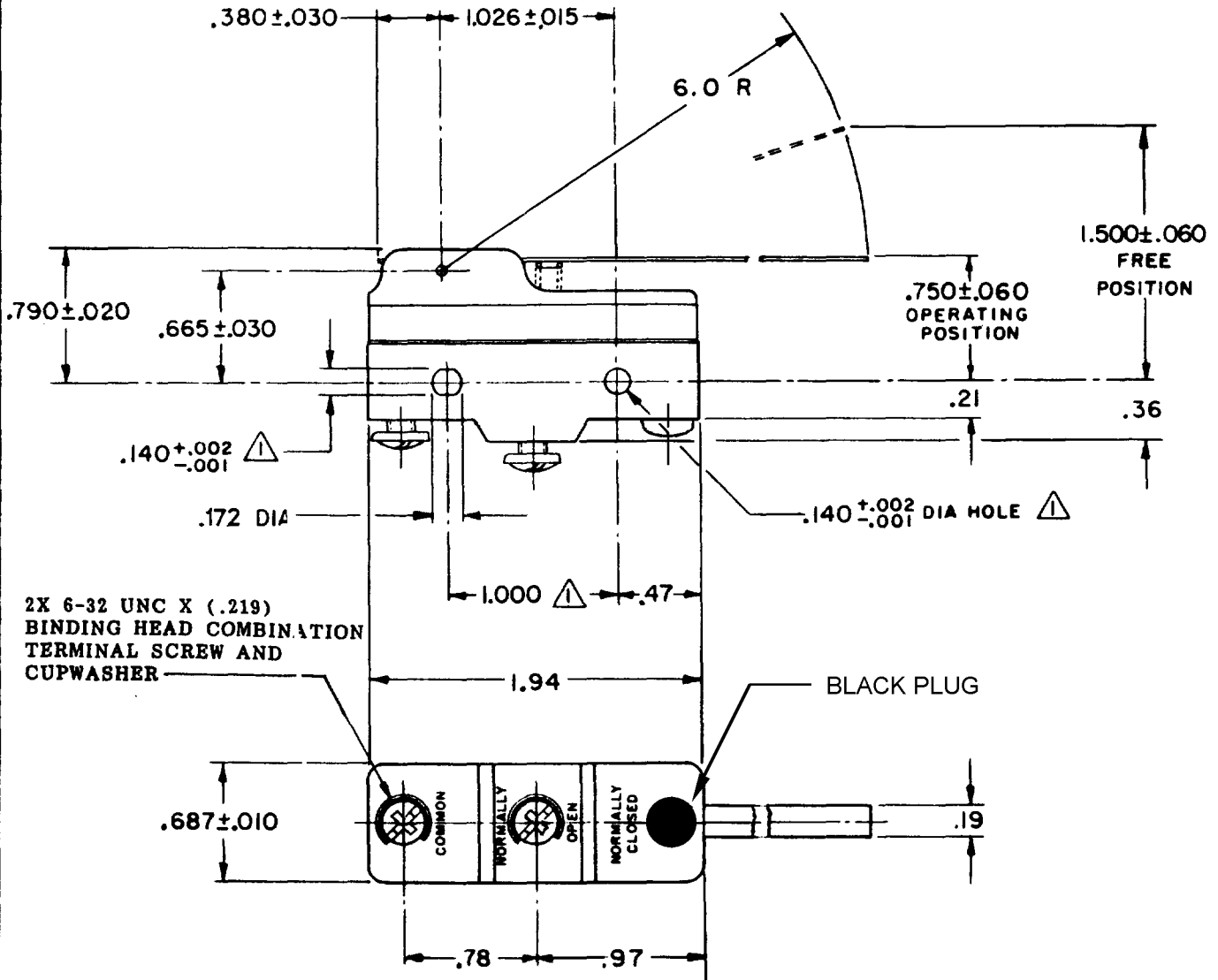
CHECK

CHECK

CHECK

CHECK

CHECK



**NOTE**  
 MOUNTING HOLES WILL ACCEPT PINS OR SCREWS OF .139 MAX DIA ON 1.000±.002 CENTERS

THIS DRAWING COVERS A PROPRIETARY ITEM AND IS THE PROPERTY OF MICRO SWITCH, A DIVISION OF MINNEAPOLIS-HONEYWELL REGULATOR CO. THIS DRAWING IS NOT TO BE COPIED OR USED WITHOUT THE APPROVAL OF MICRO SWITCH.

| CHARACTERISTICS                       | ELECTRICAL DATA  | SCALE FULL  |
|---------------------------------------|--|---|
| OPERATING FORCE — — — 1 OZ MAX        | CONTACT ARRANGEMENT<br>S P N O   | DO NOT SCALE PRINT  |
| DIFFERENTIAL TRAVEL — — — .018 — .145 | L96<br>15A 125, 250 OR 480 VAC<br>1/2A 125 VDC, 1/4A 250 VDC<br>1/8HP 125 VAC, 1/4HP 250 VAC | UNLESS OTHERWISE SPECIFIED<br>DIMENSIONS ARE IN INCHES<br><b>TOLERANCES ARE:</b>      |
| OVERTRAVEL — — — .500 MIN             | L288<br>L299<br>L306   | ONE PLACE (.0) ±.030<br>TWO PLACE (.00) ±.015<br>THREE PLACE (.000) ±.005<br>ANGLES ± |
|                                       | 16A 250V   | WEIGHT .073 LB  |

RASTER

FO-80378

DRAWN

CHECK