

MICRO SWITCH

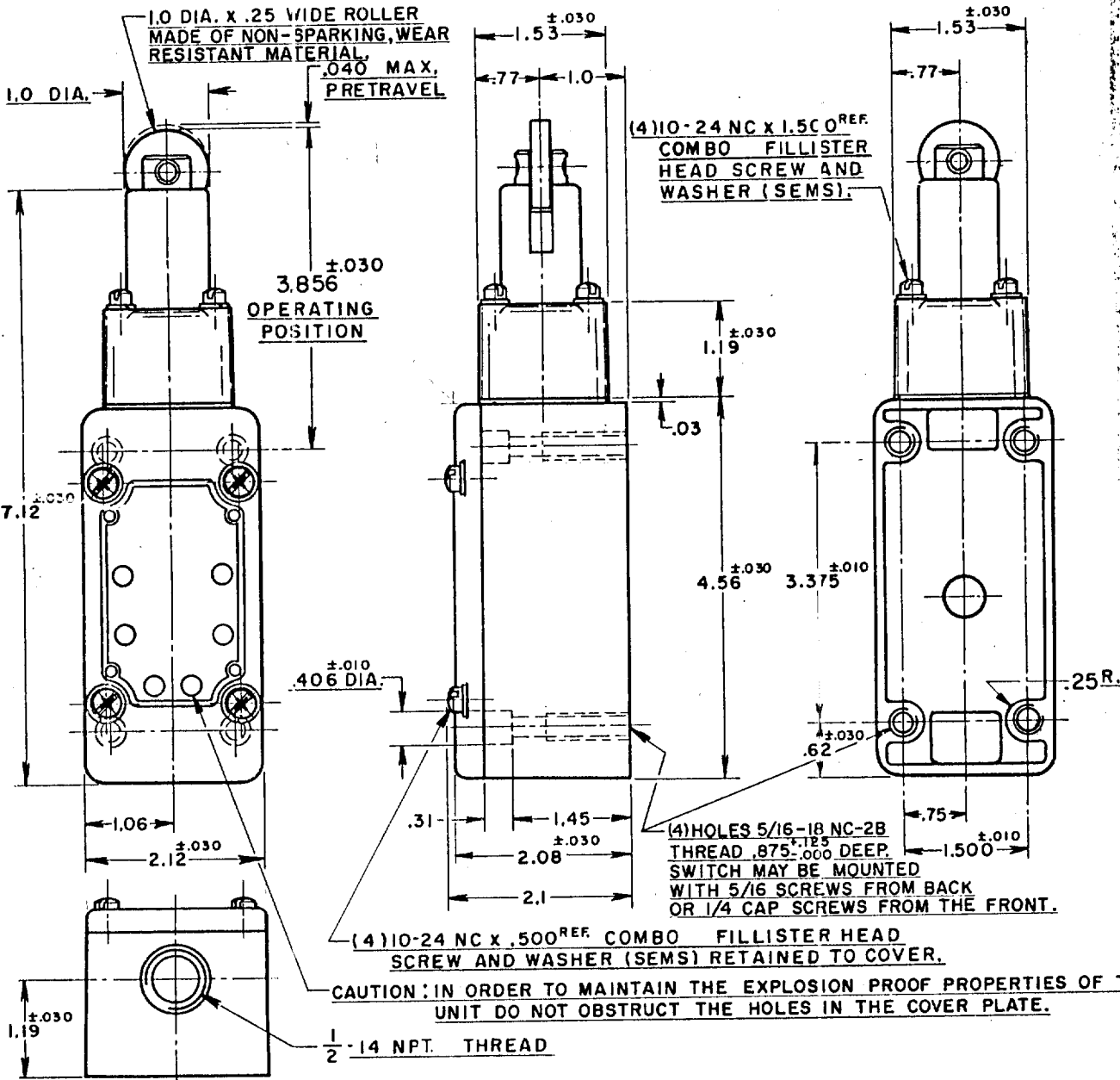
A DIVISION OF MINNEAPOLIS-HONEYWELL REGULATOR COMPANY
FREEPORT, ILLINOIS

FED. MFR. CODE 91929

SWITCH - ENCLOSED



105ML1-E1

THIS DRAWING COVERS A PROPRIETARY ITEM AND IS THE PROPERTY OF MICRO SWITCH, A DIVISION OF HONEYWELL. THIS DRAWING IS NOT TO BE COPIED OR USED WITHOUT THE APPROVAL OF MICRO SWITCH.



NOTE -

- 1- ROLLER ASSEMBLY MAY BE RE-ASSEMBLED 90° FROM POSITION SHOWN.
- 2- IT IS ESSENTIAL THAT THE CONDUIT OPENING BE PROPERLY SEALED IN ORDER TO MAINTAIN THE EXPLOSION PROOF PROPERTIES.
- 3- SWITCH WILL PERFORM SATISFACTORILY IN TEMPERATURES TO MINUS 30°F.
-LISTED BY UNDERWRITERS LABORATORY, INC. FOR USE IN CLASS I GROUPS C AND D VAPOR-AIR 4-ATMOSPHERES, AND CLASS 2 GROUPS E, F AND G DUST-AIR ATMOSPHERES

CHARACTERISTICS	ELECTRICAL DATA	SCALE 1/2 TO 1
OPERATING FORCE --- 6 LBS. APPROX.	CONTACT ARRANGEMENT TWO CIRCUIT DOUBLE THROW DOUBLE BREAK	DO NOT SCALE PRINT
RELEASE FORCE --- 4 LBS. APPROX.	(A) 10A-120, 240, OR 480 VAC, 1/2 HP-120 VAC 1 HP-240 VAC; D.B.A-115 VDC; 0.4 A-230 VDC (B) PILOT DUTY: 720VA-HEAVY DUTY 600 VAC MAX (C)	UNLESS OTHERWISE SPECIFIED DIMENSIONS ARE IN INCHES TOLERANCES ARE:
DIFFERENTIAL TRAVEL --- .020 MAX.		ONE PLACE (.0) ±.030
OVERTRAVEL --- .475 MIN.		TWO PLACE (.00) ±.015
SWITCH-BASIC REPLACEMENT --- 1 MNI	 	THREE PLACE (.000) ±.008
		WEIGHT 1 LB. 13 OZ.

REPLACES: RELEASE NO. SR 7258
 CHECK: ELL 8 FEB. 58
 CHECK: JWM 7 FEB. 58
 CHECK: JCH 14 FEB. 58
 DRAWN: R. E. R. 5 FEB. 58
 R. E. R. 5 FEB. 58
 FO-30378