

# 1730 Energy Logger

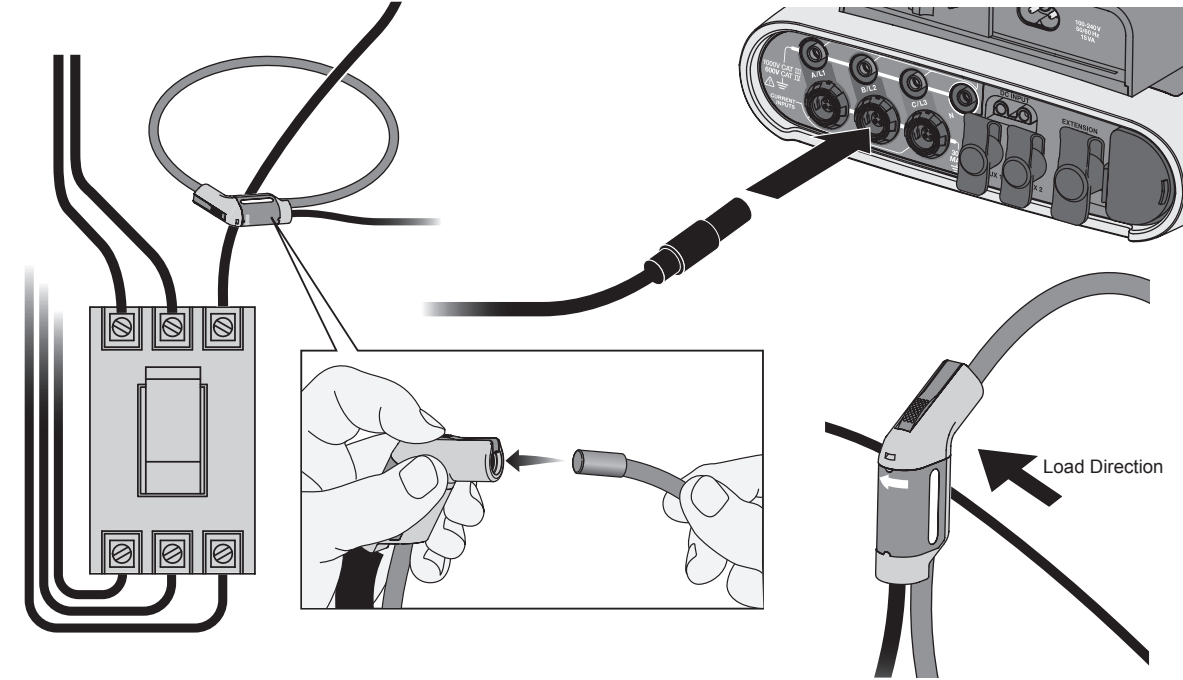
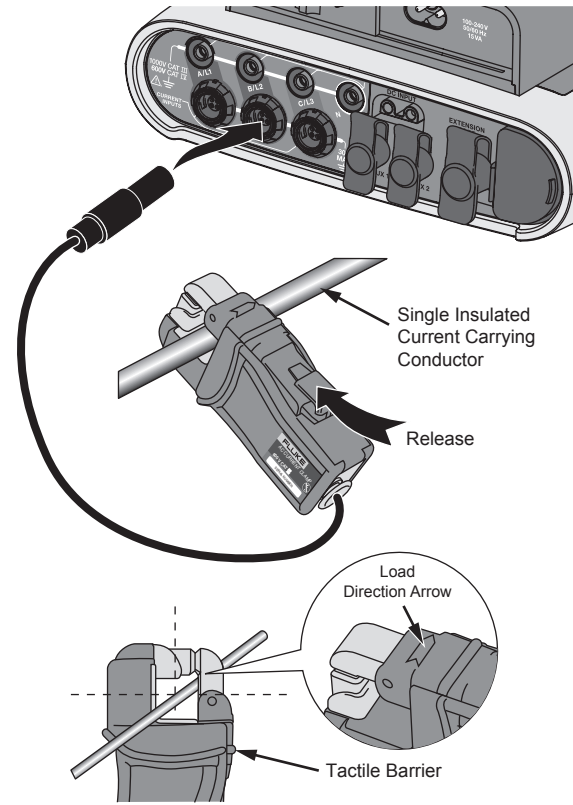
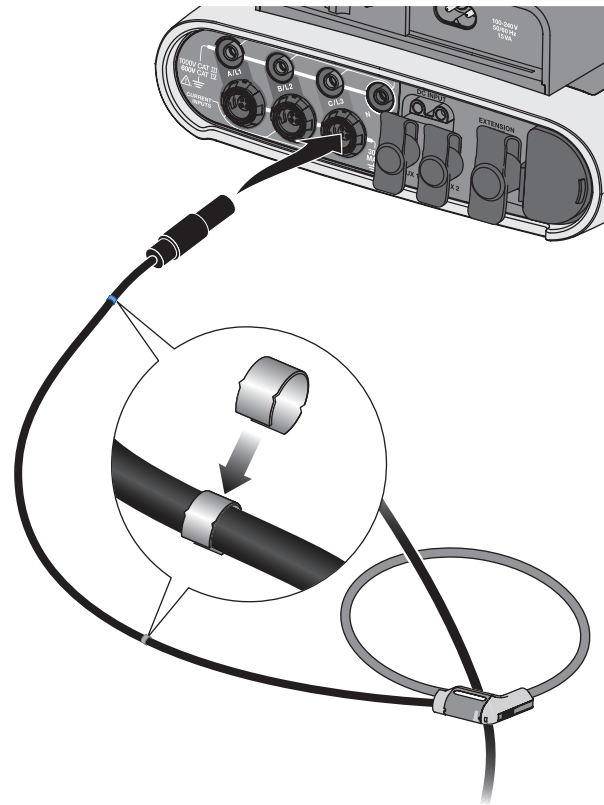
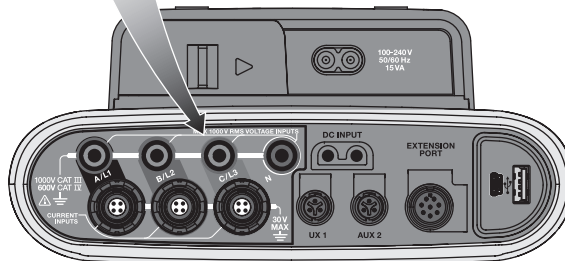
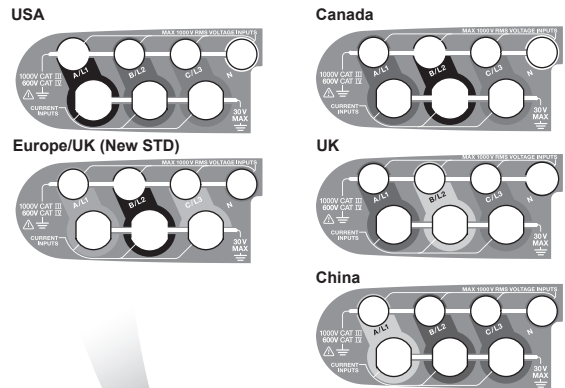
## Quick Reference Guide

### ⚠️ Warning

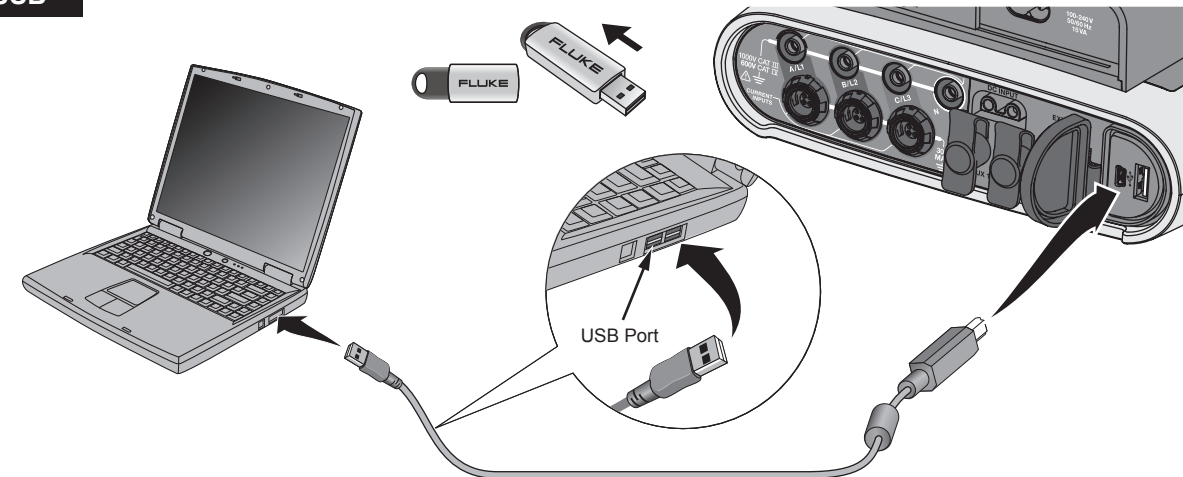
To prevent possible electrical shock, fire, or personal injury, read the "1730 Safety Information" before you use this Product.

Go to [www.fluke.com](http://www.fluke.com) to register your product, download manuals, and find more information.

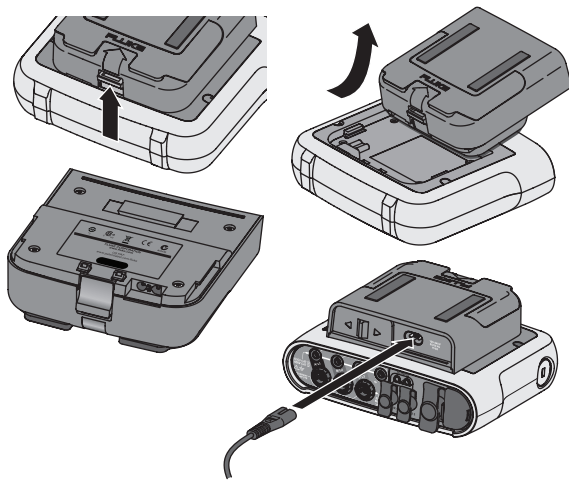
### Setup



### USB

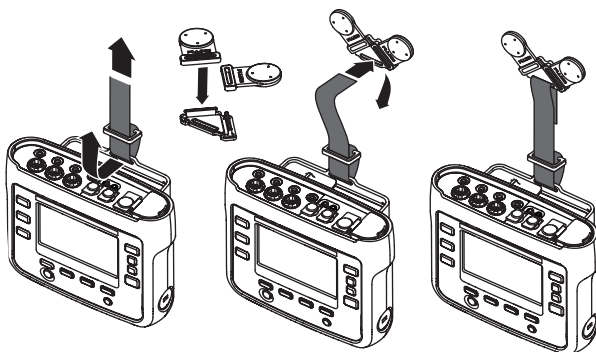


### Power Supply

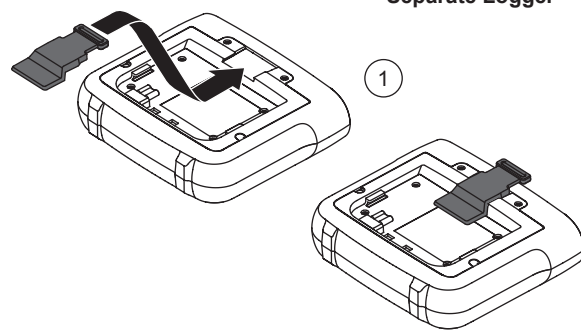


### Hanger Kit

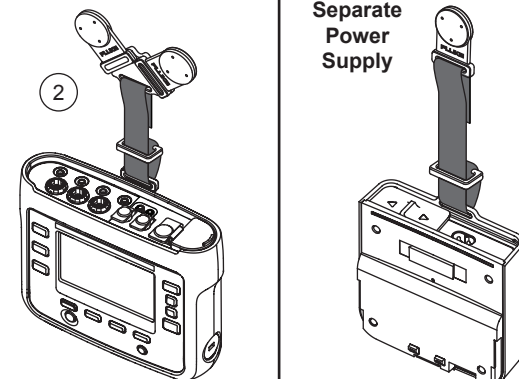
### Combination Logger/Power Supply



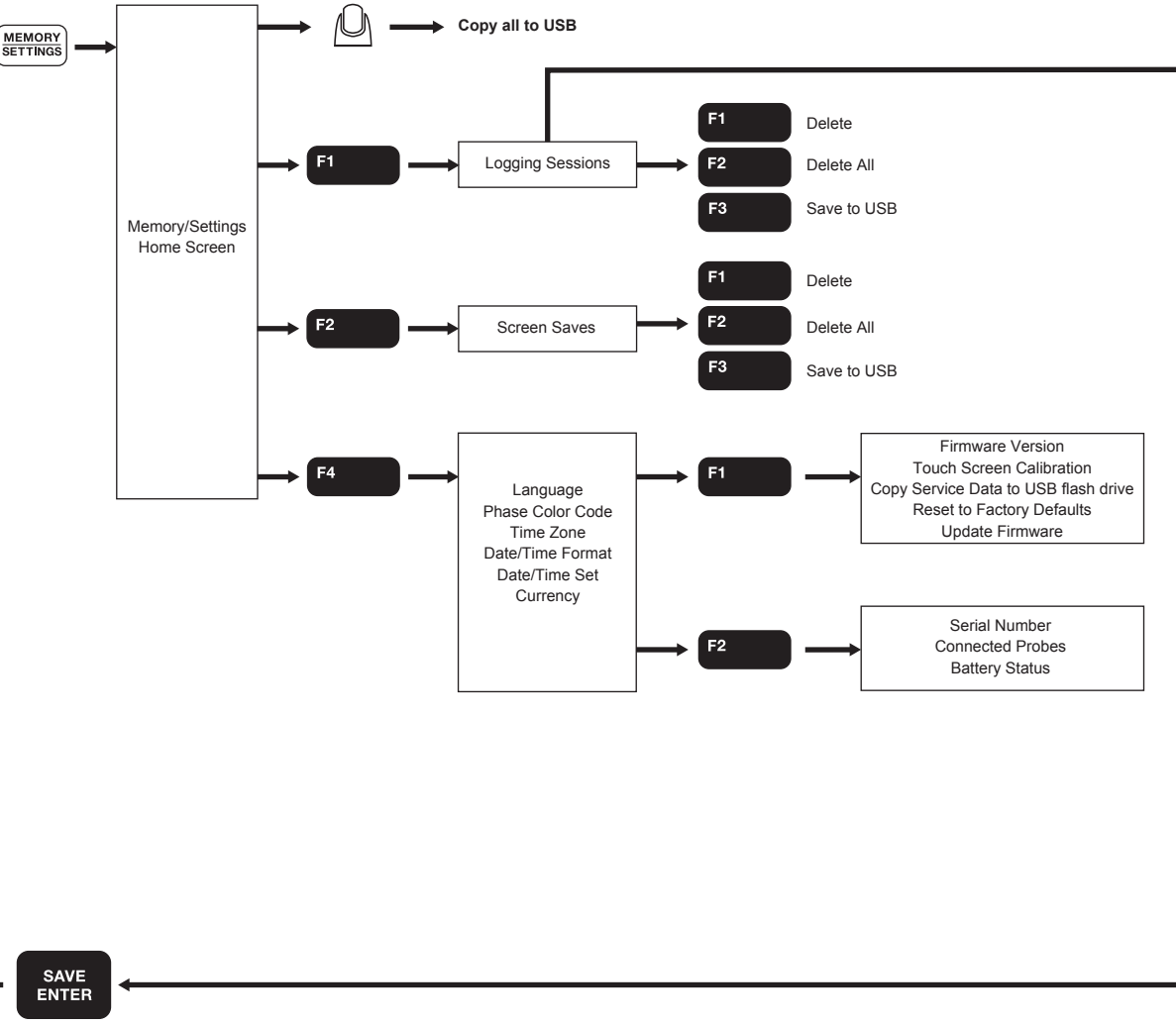
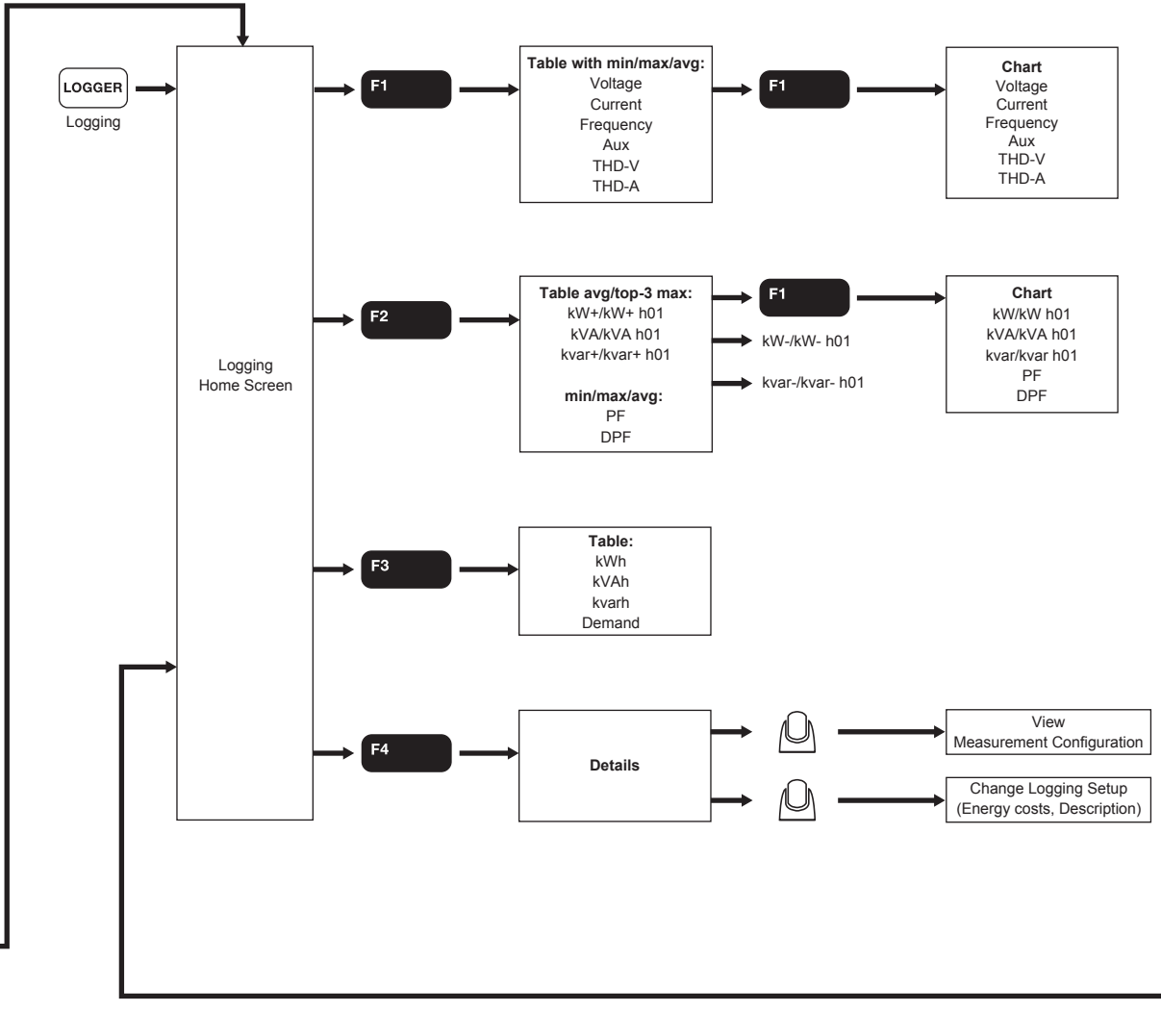
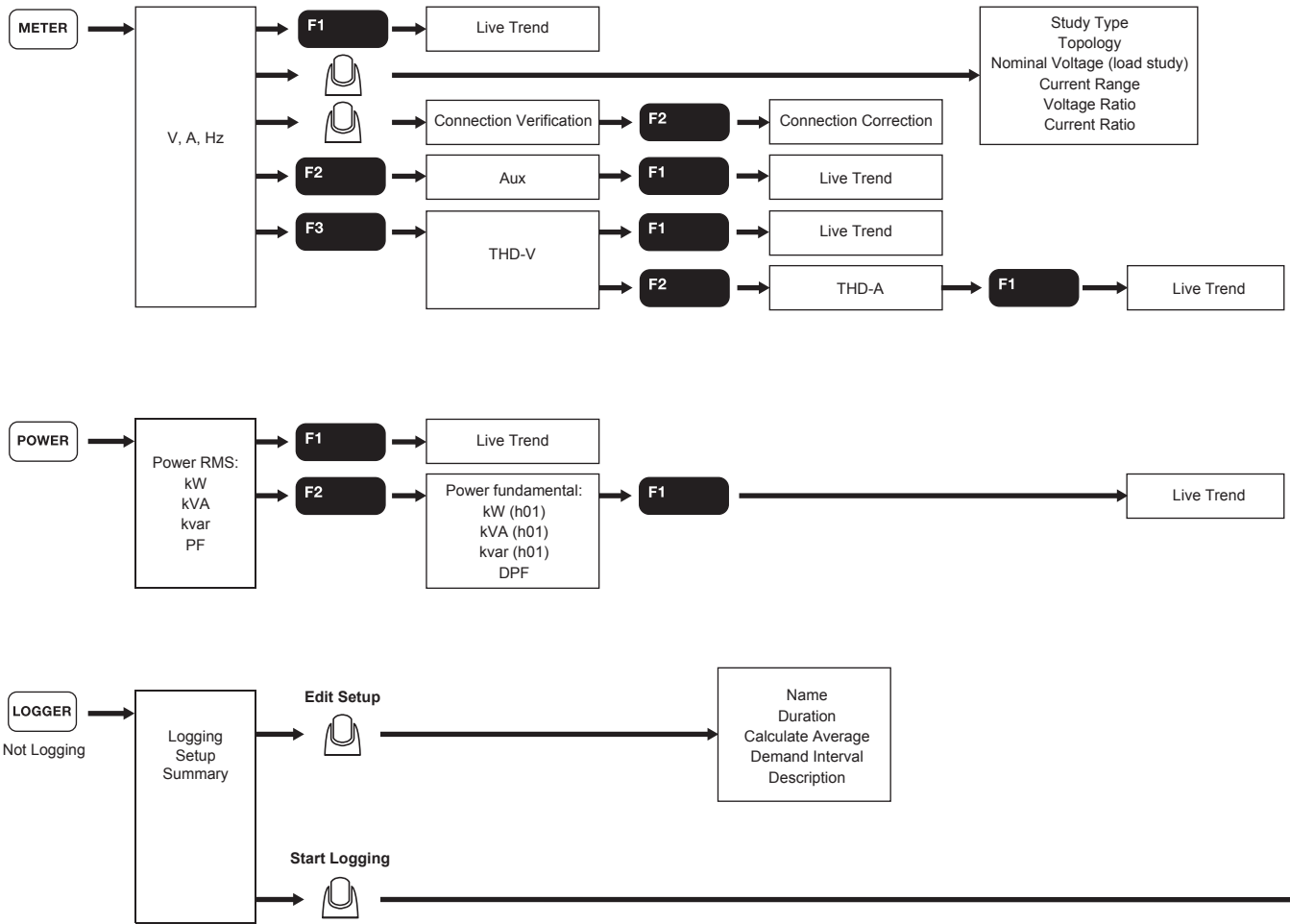
### Separate Logger



### Separate Power Supply



Menu



SAVE ENTER