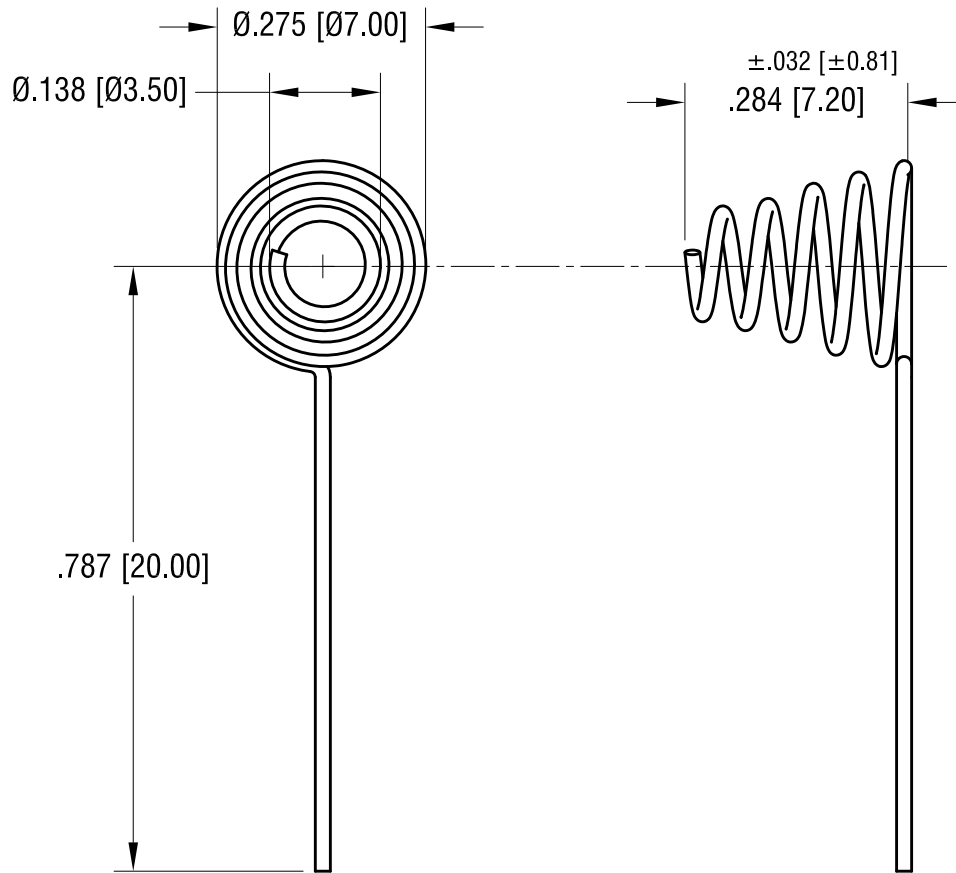
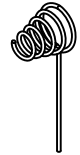


THIS DOCUMENT IS THE PROPERTY OF
KEYSTONE ELECTRONICS CORP. AND
SHALL NOT BE REPRODUCED, DISTRIBUTED
OR USED AS A BASIS FOR MANUFACTURE
WITHOUT PRIOR WRITTEN PERMISSION
FROM KEYSTONE ELECTRONICS CORP.

ACTUAL SIZE



NOTE:

1. BURR NOT TO EXCEED .005 [0.13]

KEYSTONE ELECTRONICS CORP.

www.keyelco.com • NEW HYDE PARK, NY 11040 • Tel (516) 328-7500

PART NAME

NEGATIVE SPRING CONTACT FOR 'AAA'

MATERIAL

.020 [0.50] DIA. MUSIC WIRE

FINISH

NICKEL PLATE

DRN BY

NT

DATE

1.08.18

APP'D

LN

SCALE

4X

TOLERANCES

INCH [MM]

DECIMAL ± .010 [± 0.25]

ANGULAR ± 1°

UNLESS OTHERWISE SPECIFIED

CODE

C

DWG NO.

180

DATE	DESCRIPTION	REV.