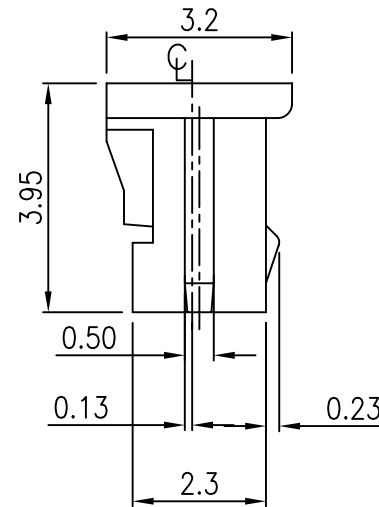
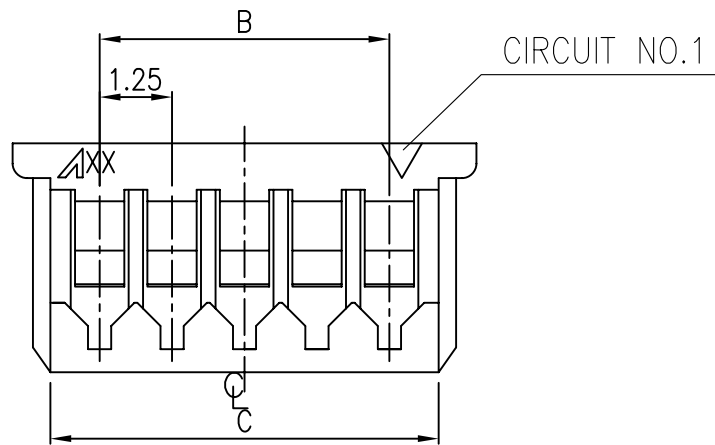
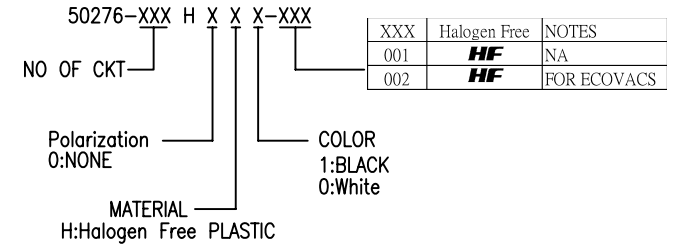
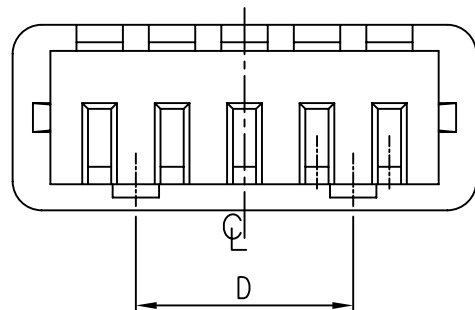


NOTES:

1. MATERIAL:Halogen Free PLASTIC, HIGH TEMP
UL 94 V-0, COLOR: SEE P/N.
2. MATE WITH 50271 & 50273 SERIES
3. SPEC PLS. REFER TO PS-50276-XXXX-XXX
4. PART NUMBER



CKT	Dim A	Dim B	Dim C	Dim D
2	4.25	1.25	2.95	0.00
3	5.50	2.50	4.20	0.00
4	6.75	3.75	5.45	2.50
5	8.00	5.00	6.70	3.75
6	9.25	6.25	7.95	5.00
7	10.50	7.50	9.20	6.25
8	11.75	8.75	10.45	7.50
9	13.00	10.00	11.70	8.75
10	14.25	11.25	12.95	10.00
11	15.50	12.50	14.20	11.25
12	16.75	13.75	15.45	12.50
13	18.00	15.00	16.70	13.75
14	19.25	16.25	17.95	15.00
15	20.50	17.50	19.20	16.25
16	21.75	18.75	20.45	17.50
17	23.00	20.00	21.70	18.75
18	24.25	21.25	22.95	20.00
19	25.50	22.50	24.20	21.25
20	26.75	23.75	25.45	22.50



QUALITY SYMBOLS MAJOR CRITICAL GENERAL TOLERANCES (UNLESS SPECIFIED) X. ±0.5 .X ±0.25 .XX ±0.15 .XXX ±0.1 ANGLES ±2°	DRAWN BY ZHOUQUAN DATE 18/01/04	
	CHECKED BY BRAVE DATE 18/01/04	
	APPROVED BY BRAVE DATE 18/01/04	SIZE A4
	UNITS mm	DWG NO. 50276-XXXHXXX-XXX
	SCALE 2:1	SHEET NO. 1 OF 1
		PART NO. SEE NOTES