

MICRO SWITCH
a Honeywell Division

FED. MF6 CODE 91929

SWITCH - BASIC

CATALOG LISTING

YA-2RQ1250-A2

ADG9219

CATALOG LISTING

YA-2RQ1250-A2

PAGE 1 OF 1

M

ISSUE 5

REPLACES X114681-YA

RELEASE NO. 207278

CHECK

01OCT09

CMH

01OCT09

27 JAN 03

S A V

CHECK

27 JAN 03

S A V

CHECK

27 JAN 03

S A V

CHECK

27 JAN 03

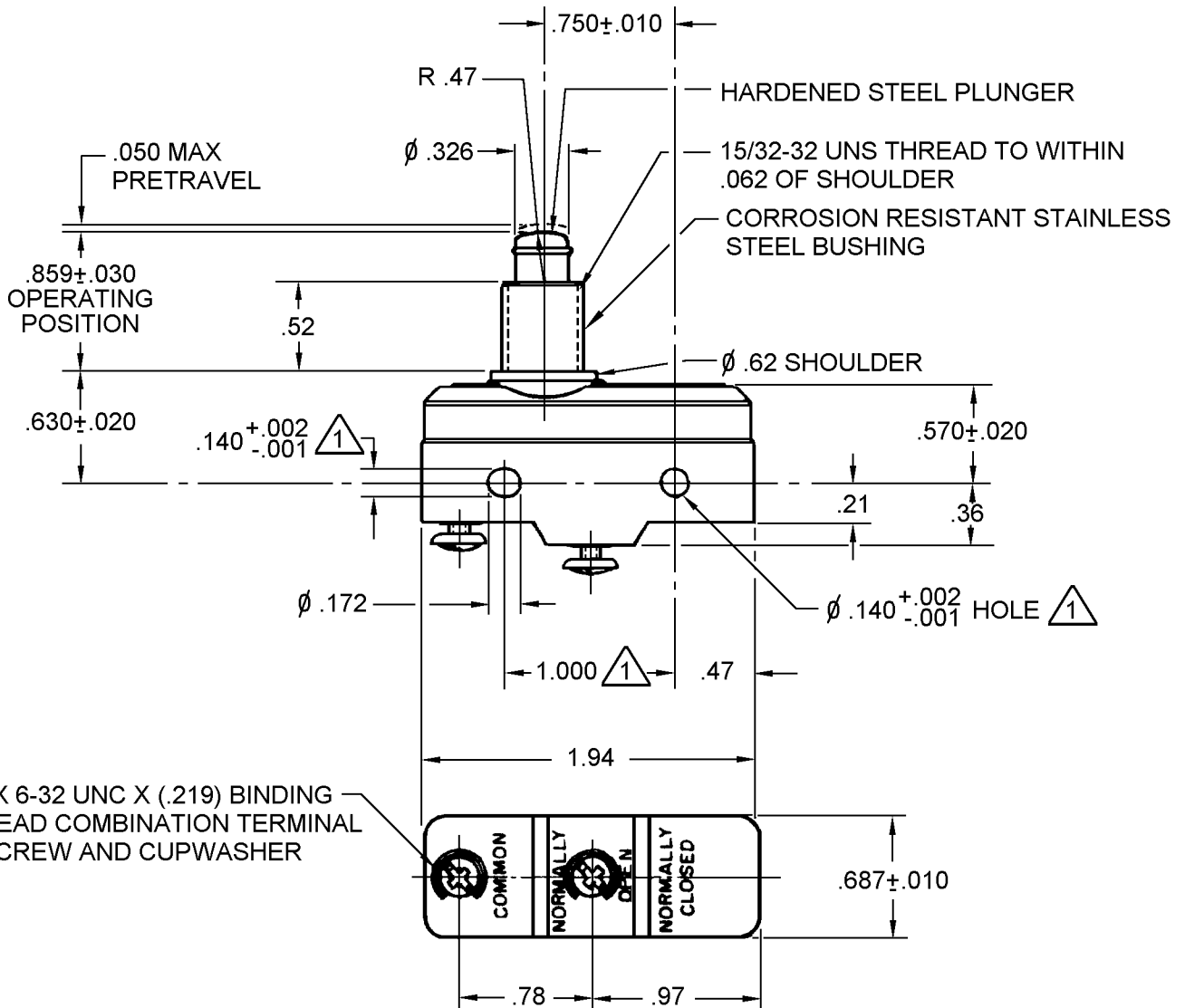
S A V

CHECK

27 JAN 03

S A V

CHECK



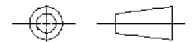
NOTES

- ① MOUNTING HOLES WILL ACCEPT PINS OR SCREWS OF $\phi .139$ MAX ON $1.000 \pm .002$ CENTERS
- 2 - HIGH TEMPERATURE PHENOLICS
- 3 - SWITCH WILL WITHSTAND TEMPERATURE OF 250°F

ANSI Y14.5M-1982 APPLIES

THIS DRAWING COVERS A PROPRIETARY ITEM AND IS THE PROPERTY OF MICRO SWITCH, A DIVISION OF HONEYWELL. THIS DRAWING IS NOT TO BE COPIED OR USED WITHOUT THE APPROVAL OF MICRO SWITCH.

THIRD ANGLE PROJECTION



CHARACTERISTICS	
OPERATING FORCE -----	14 - 22 OZ
RELEASE FORCE -----	10 OZ MIN
DIFFERENTIAL TRAVEL -----	.002 - .0075
OVERTRAVEL -----	.219 MIN

ELECTRICAL DATA	
CONTACT ARRANGEMENT	
S P N O	
L23	20A 125, 250 OR 480 VAC 10A 125 VAC "L" 1HP 125 VAC, 2HP 250 VAC 1/2A 125 VDC, 1/4A 250 VDC

SCALE	FULL	DO NOT SCALE PRINT
ONE PLACE (.0)		±.030
TWO PLACE (.00)		±.015
THREE PLACE (.000)		±.005
ANGLES		±

L288	
L308	
L315	
L319	

20(3)A 250V T85 5E4	
----------------------	--

WEIGHT	
--------	--

RASTER

DRAWN

C S L 27 JAN 03