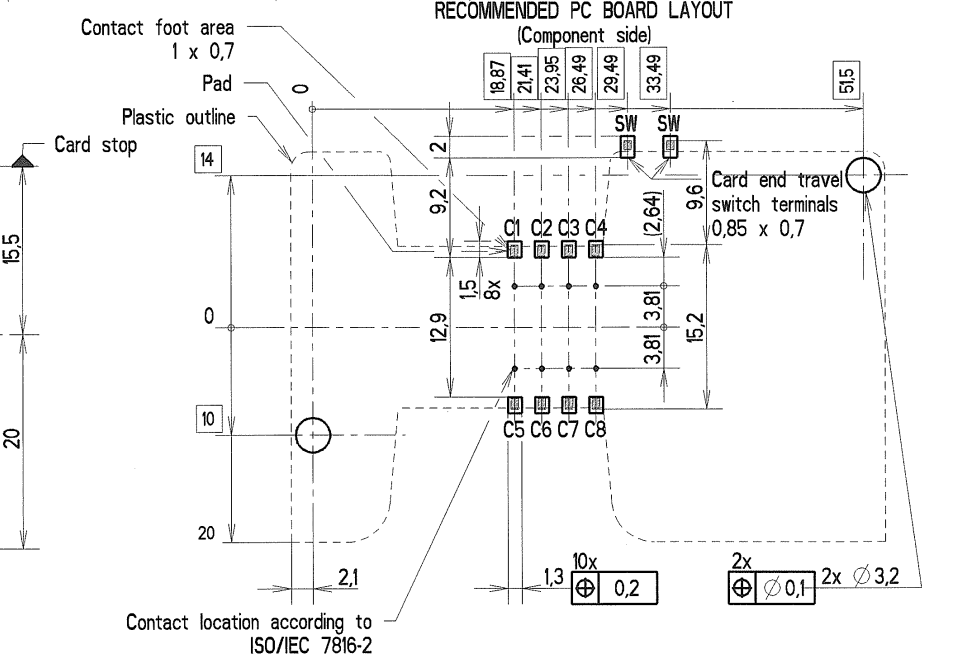
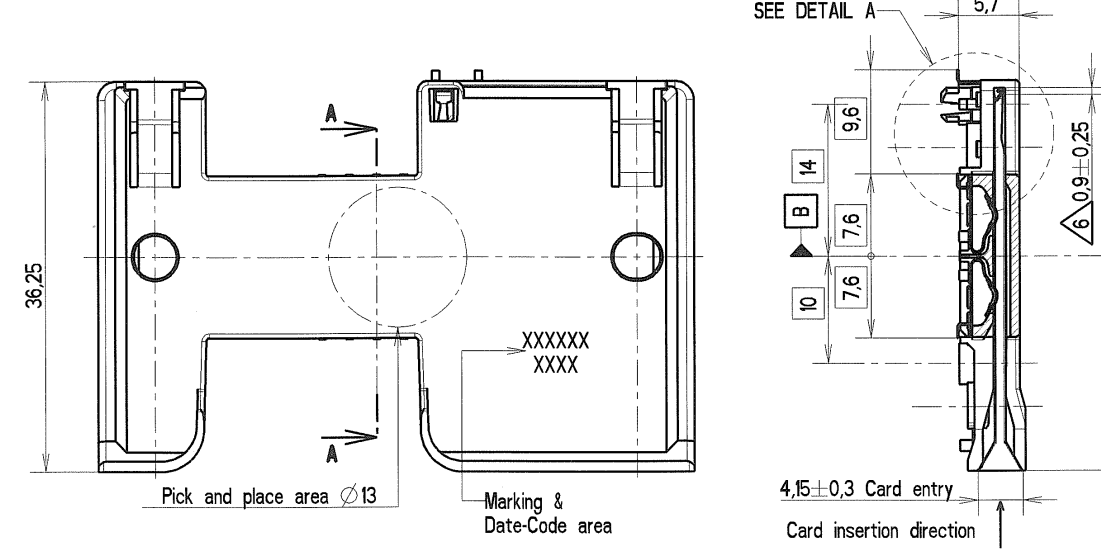
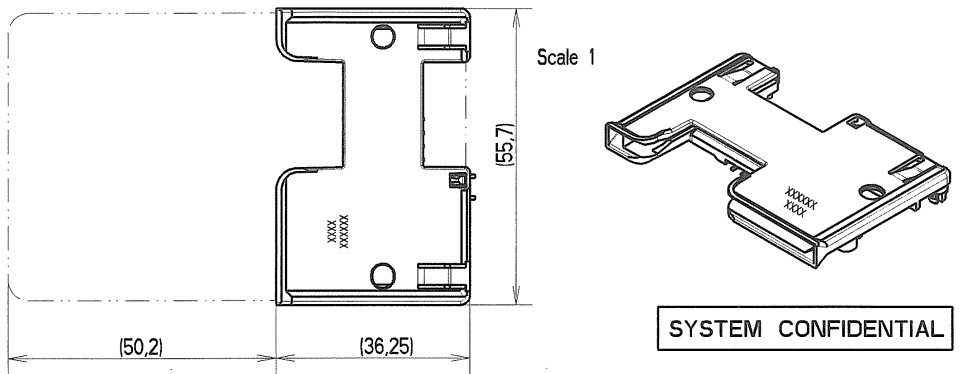
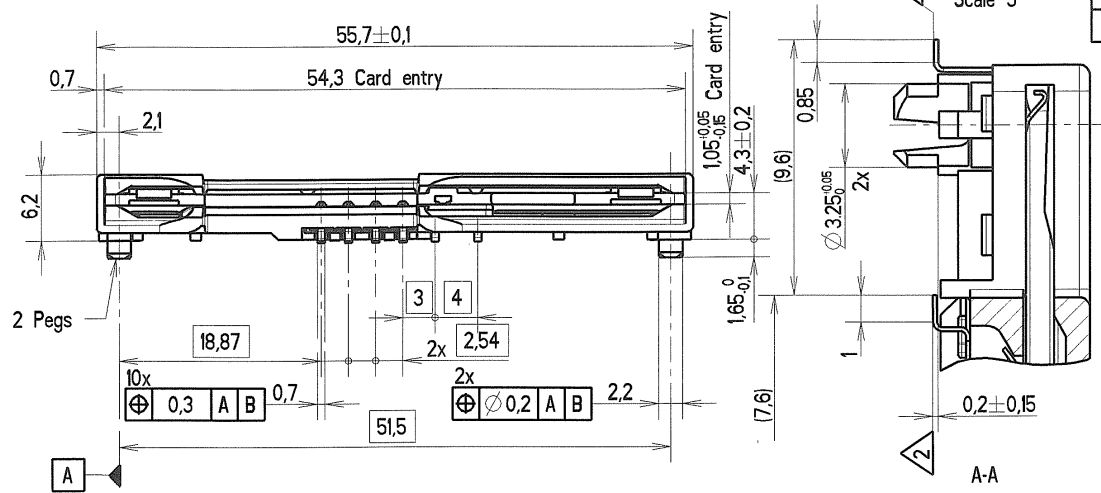


REV.	N° DCR	NATURE DE LA MODIFICATION	DATE	VISA
D	ECR-1406	References table added ; designation and marking updated	11/09/2007	V.P
E	ECR-2182	Designation updated	07/05/2008	CD



Packaging	Packaging drawing	Marking	Designation	Part Number
Tray	030278Y0043	2013T	CCM01-2013LFT T30/	Y1112-2013A LFT
Reel	030278Y0059		CCM01-2013LFT R201	Y1112-2013B LFT

- Notes :
- 1 - Termination to PCB : SMT reflow soldering Temperature/time profile according to : C&K PS-LF-001 specification. Since there are no boardlocks , the connector must be held in place on the PCB across the top face of the cover.
 - 2 - Level of each contact tail compared to the nearest plastic stand-off. Coplanarity of metal soldering surfaces : 0,15 mm
 - 3 - Recommendation for solder paste thickness > 0,2 mm.
 - 4 - 2,5 microns min tin plating on contact terminal areas. 0,1 microns min gold plating on switch terminal areas.
 - 5 - Contact forces :
 - max 0,5 N per contact with max. card thickness.
 - min 0,2 N per contact with min. card thickness.
 - 6 - Card end travel switch NO activates when the sliding card is 0,9 mm from the card stop.
 - 7 - In case of customer accessories integration requesting an interface with CCM, please ask C&K for a 3D model.

MATIERE	TOL. LINEAIRE	TOL. ANGULAIRE	TRAITEMENT	PROTECTION
SAUF INDIQUE :		± 0,1	± 2	°
-COTES DONNEES AVANT PROTECTION		ETAT DE SURFACE		DIMENSIONS CRITIQUES
-BAVURES ET ARETES VIVES SUPPRIMEES		Ra		DIMENSIONS SPC
DESSINE	P.DAUBIGNEY	DATE	19-05-05	ANALYSE
VERIFIE	G.PINON	DATE	07/05/2008	TAB. FAM.
APPROUVE	L.KUBAT	DATE	07/05/2008	PRO/E
PROJECTION FER DIEDRE		DESIGNATION		LANGAGE
ECHELLE		CCM01-2013 LFT		E
C&K Components		Specific version 2 pegs 3,25 mm		
TAILLE	FEUILLE	NUMERO	REV	
BP 359 - 39105 Dole - FRANCE -	A3	1 / 1	CU	030288Y2013
				E

CE PLAN EST LA PROPRIETE DE C&K. COMPONENTS SAS ET NE PEUT ETRE REPRODUIT OU COMMUNIQUE SANS SON AUTORISATION

A B C D E F