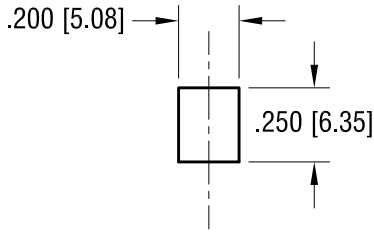
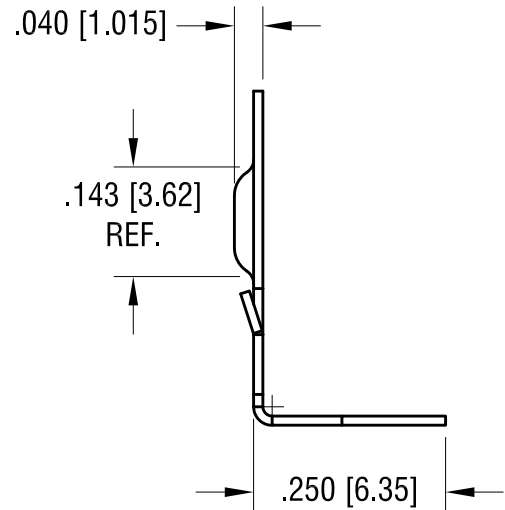
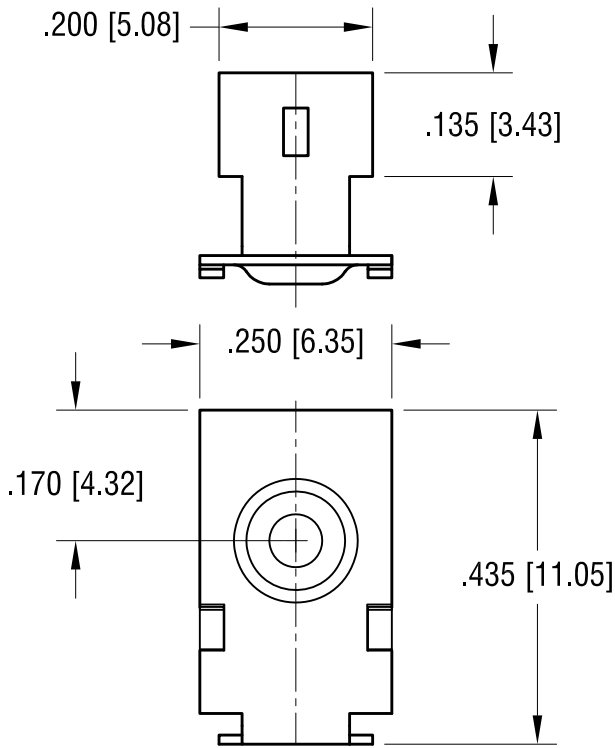


THIS DOCUMENT IS THE PROPERTY OF
KEYSTONE ELECTRONICS CORP. AND
SHALL NOT BE REPRODUCED, DISTRIBUTED
OR USED AS A BASIS FOR MANUFACTURE
WITHOUT PRIOR WRITTEN PERMISSION
FROM KEYSTONE ELECTRONICS CORP.

MOUNTING PAD LAYOUT



ACTUAL SIZE



KEYSTONE ELECTRONICS CORP.

www.keyelco.com • ASTORIA, N.Y. 11105-2017 • Tel (718) 956-8900

PART NAME

SMT BATTERY CONTACT

MATERIAL

.012 [0.30] TH'K STAINLESS STEEL

FINISH

GOLD PLATE

DRN BY

NT

DATE

3.07.15

APP'D

LN

SCALE

4X

TOLERANCES

INCH [MM]

DECIMAL ± .005 [± 0.13]

ANGULAR ± 1°
UNLESS OTHERWISE SPECIFIED

CODE

C

DWG NO.

1076-1

| DATE | DESCRIPTION | REV. |
|------|-------------|------|
| | | |