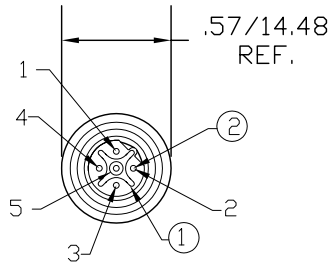
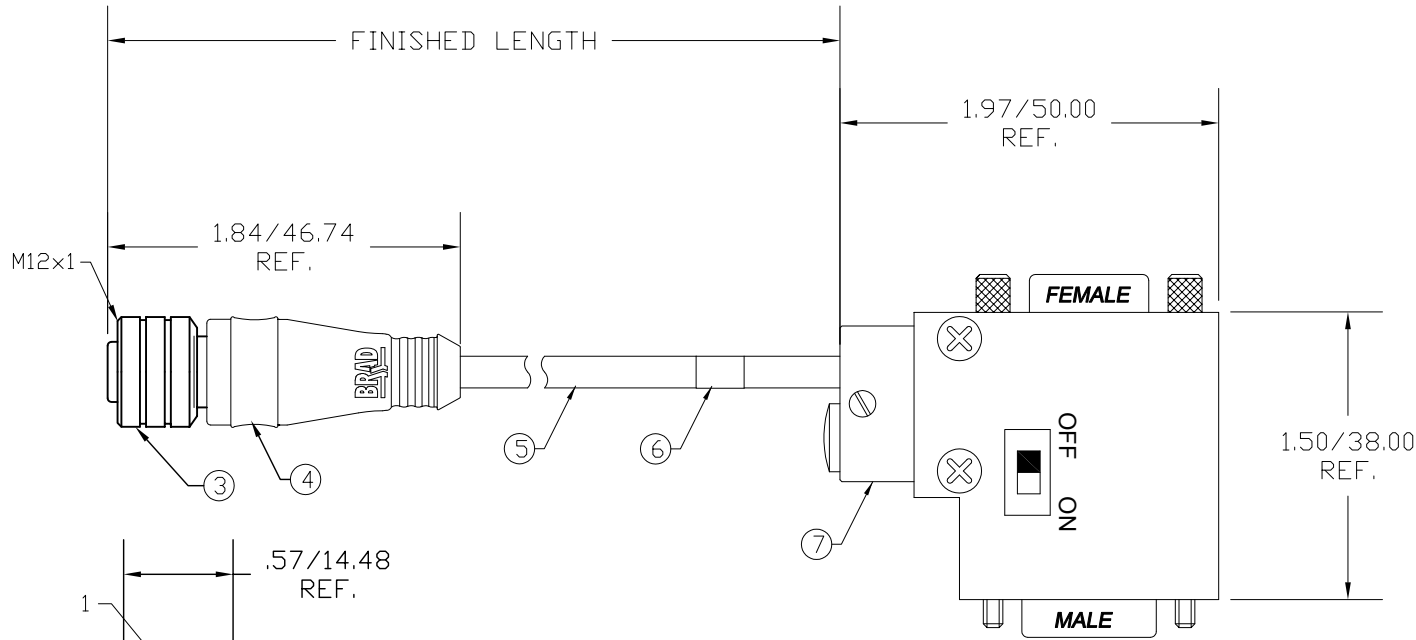


MATERIAL NUMBER	OLD PART NUMBER	FINISHED LENGTH
1200980183	BP5S32PP4M010	3.28' +2.19" -0 [1.0M +55.6 -0]
1200980074	BP5S32PP4M020	6.56' +3.50" -0 [2.0M +88.9 -0]
1200980075	BP5S32PP4M050	16.40' +6.50" -0 [5.0M +165.1 -0]



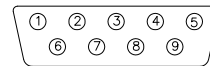
FEMALE FACE VIEW

1	NOT CONNECTED	
2	GREEN (LINE A)	8
3	NOT CONNECTED	
4	RED (LINE B)	3
5	DRAIN WIRE	

WIRING DIAGRAM

PINS 1, 2, 4, 5, 7, & 9 ARE NOT CONNECTED ON D-SUB

Male Face View



9 Way D-Sub

VOLTAGE RATING	250 VAC/VDC
AMPERAGE RATING	4 AMPS
PROTECTION FOR M12 CONNECTOR	IP67
PROTECTION FOR D-SUB	IP40
OPERATING TEMPERATURE	-20°C TO 80°C

ITEM	COMPONENT	MATERIAL	FINISH
1	INSERT	NYLON	BLACK
2	SOCKET CONTACT	COPPER ALLOY	GOLD OVER NICKEL
3	COUPLING NUT	BRASS	NICKEL PLATED
4	OVERMOLD	PUR	YELLOW
5	CABLE- 22 AWG, COPPER STRANDING TWISTED PAIR SHIELD WITH BRAID	PUR	PURPLE
6	LABEL	MLYAR	BLACK/YELLOW
7	D-SUB	ABS	BLACK

RLSD DRAWING
EC NO: WNA2010-0682
DRWN: BWOODMAN 4/27/10
CHKD: LHARTMAN
APPR: JFMURPHY 2010/05/25

QUALITY SYMBOLS
▽=0
▽C=0

GENERAL TOLERANCES (UNLESS SPECIFIED)

	mm	INCH
4 PLACES	±---	±---
3 PLACES	±---	±---
2 PLACES	±---	±.01
1 PLACE	±0.3	±---

ANGULAR ±--°

DRAFT WHERE APPLICABLE MUST REMAIN WITHIN DIMENSIONS

DIMENSION STYLE IN/MM

SCALE ---

DESIGN UNITS INCH

THIRD ANGLE PROJECTION

DRAWN BY DATE
TWOLEDGE 2009/08/27

CHECKED BY DATE
BWOODMAN 2009/08/27

APPROVED BY DATE
JFMURPHY 2009/08/27

MATERIAL NO.

SIZE A

TITLE
MICRO-CHANGE CORDSET
5P FEMALE PROFIBUS-DSUB
PUR CABLE

MOLEX INCORPORATED

DOCUMENT NO. SD-120098-008

SHEET NO. 1 OF 1

THIS DRAWING CONTAINS INFORMATION THAT IS PROPRIETARY TO MOLEX INCORPORATED AND SHOULD NOT BE USED WITHOUT WRITTEN PERMISSION