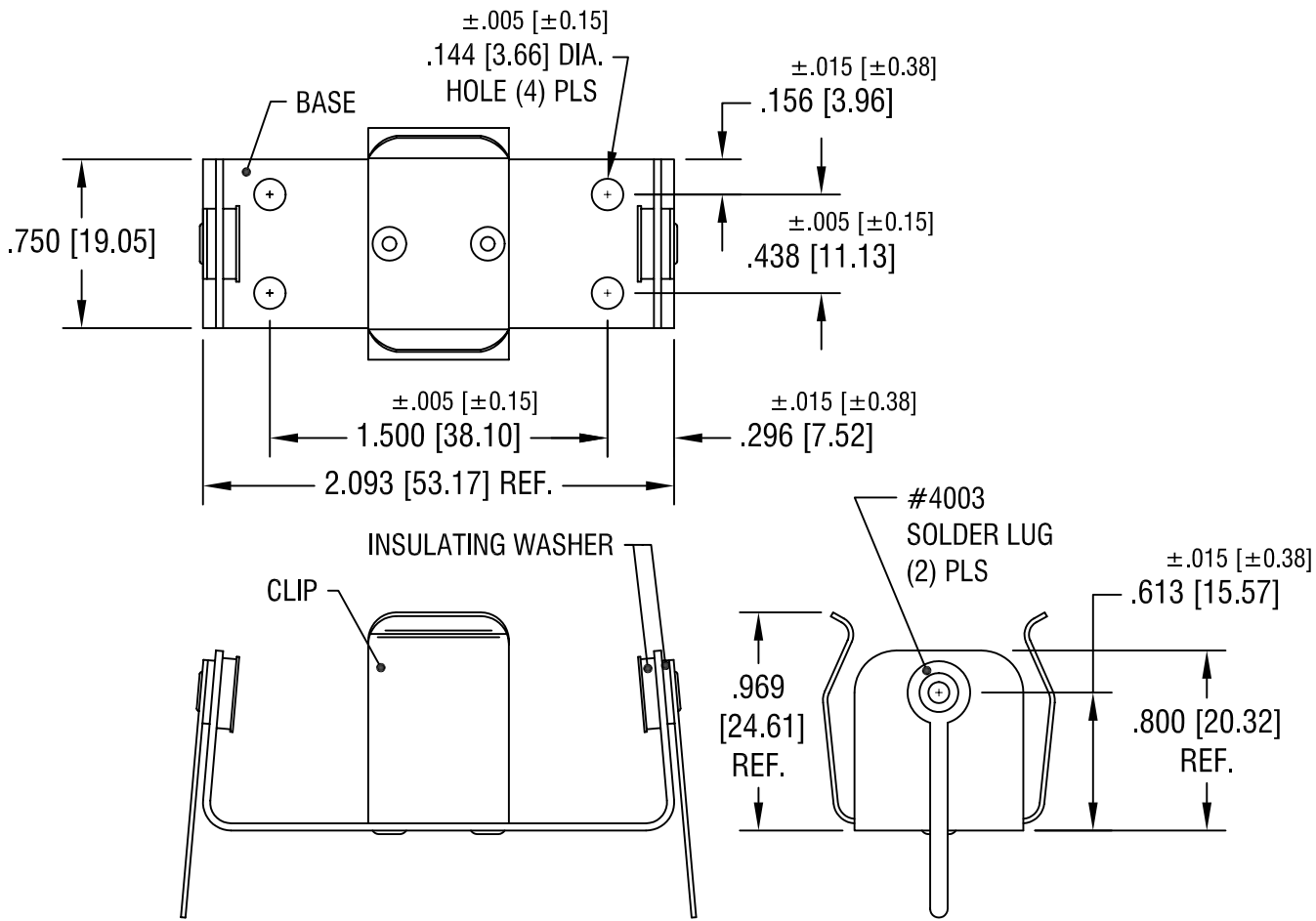
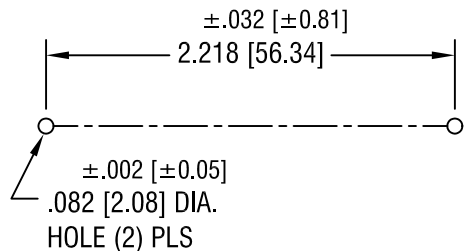


THIS DOCUMENT IS THE PROPERTY OF KEYSTONE ELECTRONICS CORP. AND SHALL NOT BE REPRODUCED, DISTRIBUTED OR USED AS A BASIS FOR MANUFACTURE WITHOUT PRIOR WRITTEN PERMISSION FROM KEYSTONE ELECTRONICS CORP.

RECOMMENDED SPACING FOR PC LUGS



NOTES:

- 1. BASE: MAT'L - .032 [.81] TH'K ALUMINUM
- CLIP: MAT'L - .020 [.50] TH'K ALUMINUM
- SOLDER LUG: MAT'L - BRASS
- FINISH - TIN PLATE

KEYSTONE ELECTRONICS CORP.

ASTORIA, N.Y. 11105-2017

| | | | | | | | |
|------------|--|--------|--|----------------------------|--|---------|--|
| PART NAME | | | | BATTERY HOLDER (1) 'C' | | | |
| MATERIAL | | | | AS NOTED | | | |
| FINISH | | DRN BY | | DATE | | | |
| AS NOTED | | BOONE | | 1.12.82 | | | |
| | | APPD | | SCALE | | | |
| | | LN | | 1.2X | | | |
| TOLERANCES | | INCH | | [MM] | | CODE | |
| DECIMAL | | ±.010 | | [± 0.25] | | C | |
| ANGULAR | | ± 1° | | UNLESS OTHERWISE SPECIFIED | | DWG NO. | |
| | | | | | | 2224 | |

12.2.04 CHANGE AS PER ECN 04-164

B

| DATE | DESCRIPTION | REV. |
|------|-------------|------|
| | | |