

# RS485MS-2W

## Communication Module



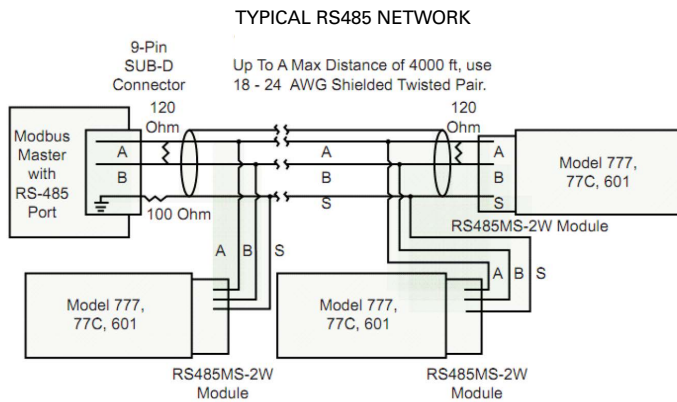
### Description

The RS485MS-2W is required to enable the Modbus communications function on Model 77x-type products. This module is required when the RM1000, RM2000 or other Modbus capable device is used with 77x-type products.

### Features

- Optical isolation from line potentials
- Powered by the 77x product
- RS-485 compliant bus drive capability
- Remote reset input connection
- Power connection for the Model RM1000

### Wiring Diagram



### Accessories



#### RS485-RS232 Converter with cable & plug

Allows RS485 devices to be connected to a PC via the RS232 (serial) port. Provides convenient terminal blocks for making signal and DC power supply connections. Pre-wired.



#### RS485-USB Converter with cable & plug/RS232:USB

Allows RS485 devices to be connected to a PC via the USB port. Provides convenient terminal blocks for making signal and DC power supply connections. Pre-wired.

Refer to the manual for basic and extended network diagrams.

## Specifications

### Functional Specifications

**Remote Reset (for optional use with 777 Series)** Normally open pushbutton rated 24VDC, 10mA (min.)

### General Characteristics

**Ambient Operating Temperature** -20° to 50°C (-4° to 122°F)

**Terminal (depluggable terminal block)**

**Torque** 3 in.-lbs. (max.)

**Wire AWG** 12-20 AWG

**Class of Protection** IP20

**Relative Humidity** 10-95%, non-condensing per IEC 68-2-3

### Standards Passed

**Electrostatic Discharge (ESD)** IEC 61000-4-2, Level 3, 6kV contact, 8kV air

**Radio Frequency Immunity, Radiated** 150 MHz, 10V/m

**Fast Transient Burst** IEC 61000-4-4, Level 3, 4kV input power

**Hi-Potential Test** Meets UL508 (2 x rated V + 1000V for 1 min)

### Surge

**Input Power** IEC 61000-4-5, Level 1

**Inputs/Data Lines** IEC 61000-4-5, Level 2

### Safety Marks

**UL** UL508 (File #E68520)

**CE** IEC 60947

**Enclosure** Polycarbonate

**Dimensions** **H** 52.83 mm (2.08"); **W** 73.66 mm (2.9");

**D** 19.56 mm (.77")

**Weight** 0.26 lb. (4.16oz., 117.93 g)

**Mounting Method** 9-pin D-Sub connector on the side of a 777-Series