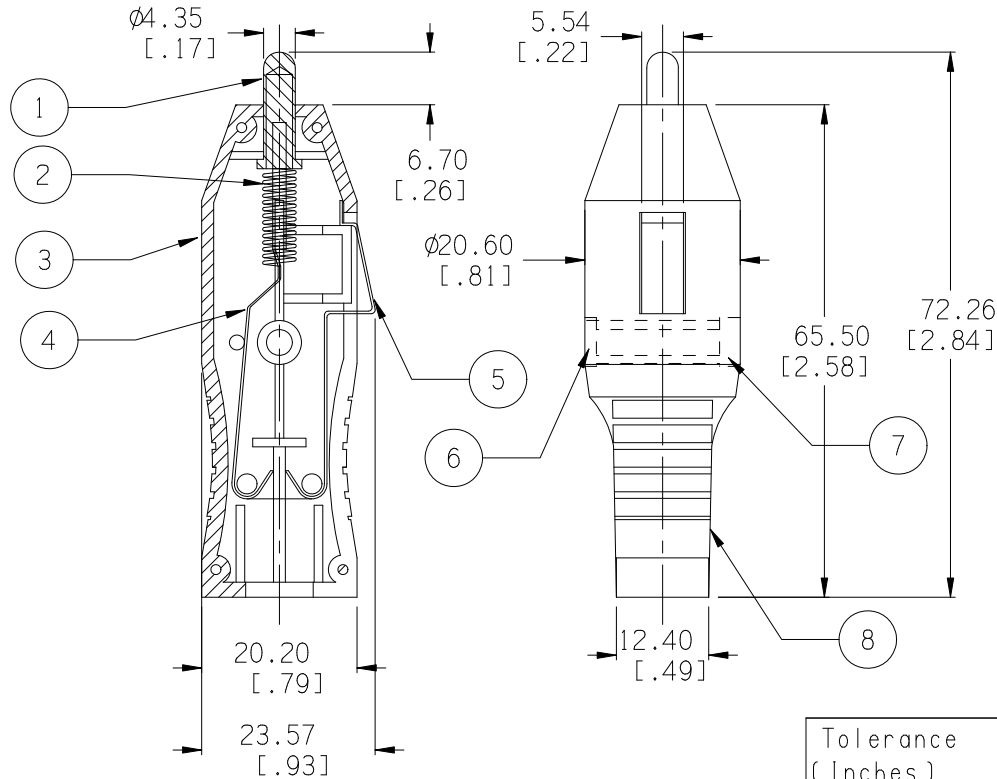



ITEM NO.	PART NAME	MATL. SPECIFICATION	CAT. NO.	APPROVED NO.
1	TIP CONTACT (+) TERMINAL	BRASS, NICKLE PLTD.		
2	SPRING	SW70C, ZINC PLTD.		
3	BODY, HALF	ABS, BLACK		
4	CONTACT	BRASS, NICKLE PLTD.		
5	(-) TERMINAL	BRASS, NICKLE PLTD.		
6	PHILIPS HEAD SCREW	STEEL, NICKLE PLTD.		
7	NUT	STEEL, NICKLE PLTD.		
8	BODY, HALF	ABS, BLACK		

Date	SYM	REVISION RECORD	AUTH	DR.	CK.
08/28/14	A	UPDATED TO ROHS 2 COMPLIANT	T.B.	B.S.	
02/19/16	B	DIM. 23.57 WAS 22.50 DIM. 6.70 WAS 6.40	T.B.	B.S.	



NOTE:
 MAXIMUM RATING: 5AMP.
 ROHS 2 COMPLIANT

Tolerance (Inches)	 Memory Protection Devices, Inc 200 Broad Hollow Road, Farmingdale, New York 11735		
Decimal $\pm .5$ (.020)		Scale	Drawn By B.S. Approved By T.B.
Fractional $\pm .8$ (.030)	Title CIGARETTE PLUG FOR 21mm DIA. SOCKETS		
Angular $\pm 3^\circ$	Date 02/19/16	Drawing Number ZA1060	