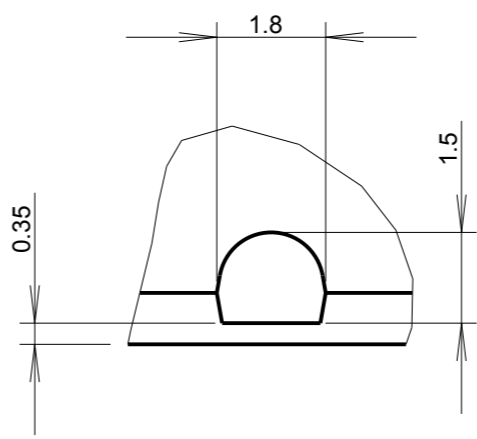
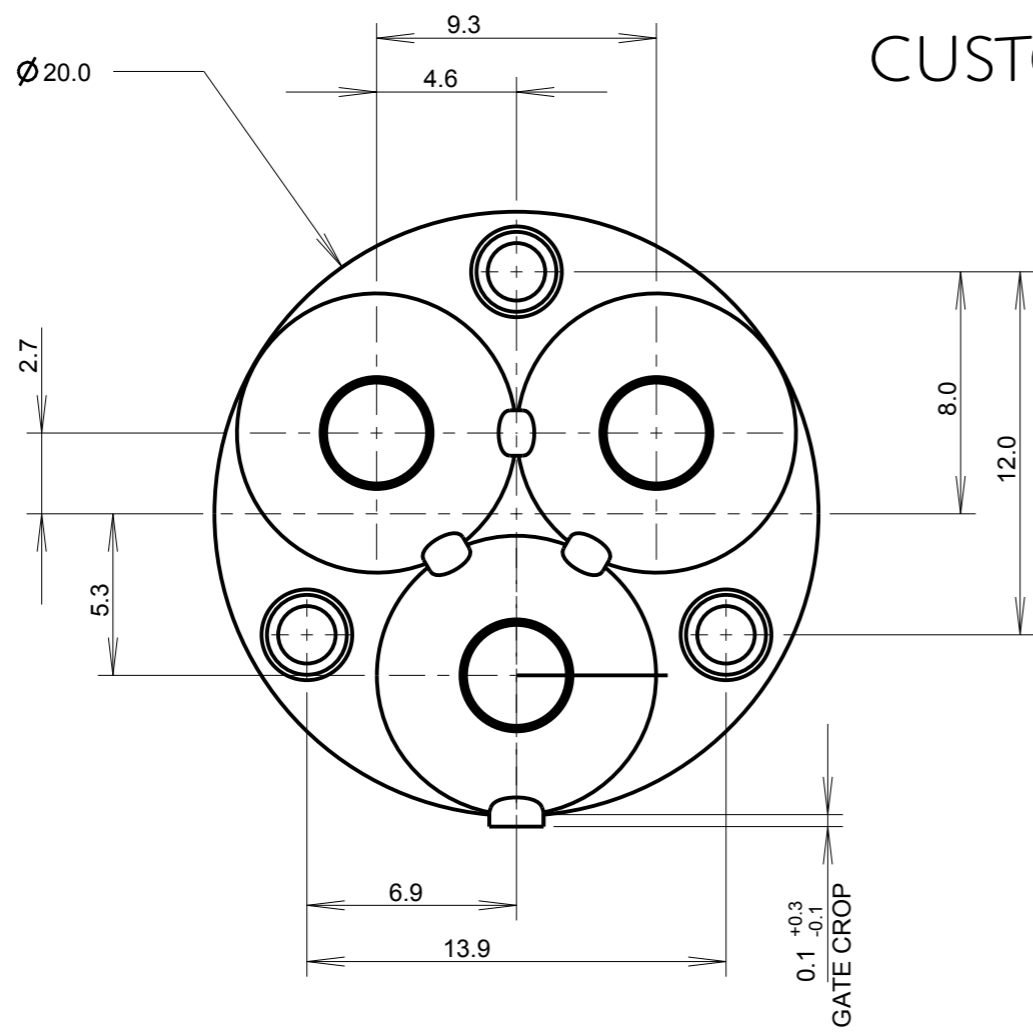
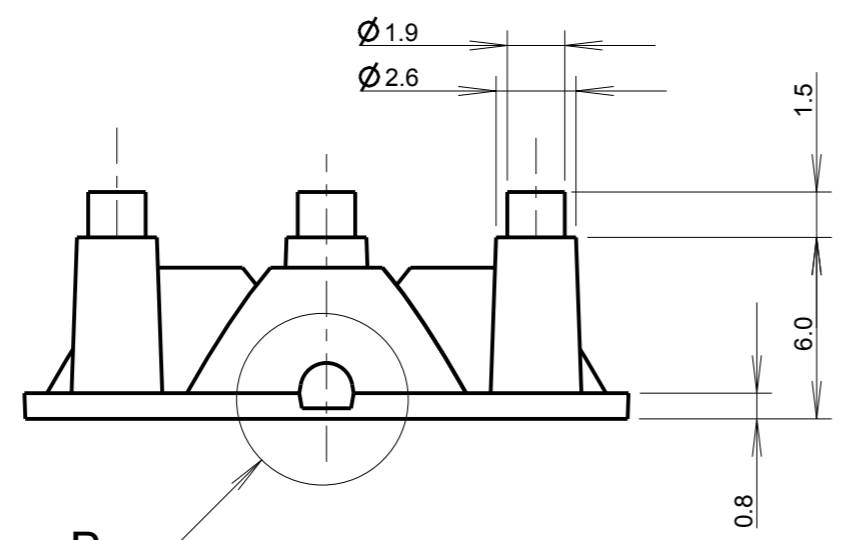


©2011 CTP-COIL
ALL DIMENSIONS IN mm

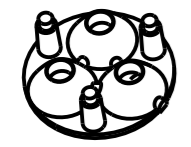
CUSTOMER DRAWING



DETAIL B
SCALE 8:1



SEE DETAIL B



SCALE 1:1

MATERIAL - UV STABILISED CLEAR POLYCARBONATE

ISS.	DATE	E.C.N.	DESCRIPTION
1	06-May-08		FIRST ISSUE
2	18-Jun-08		GATE SIZE INCREASED
3	12-Nov-08	10/08/1233	LEG PIN LENGTH REDUCED TO 15MM
4	10-Mar-11	04/10/1270	R&K VALUES ALTERED
4A	10-Aug-11	08/11/1306	Gate tolerance updated



CARCLO TECHNICAL PLASTICS (SLOUGH)
103 BUCKINGHAM AVE, SLOUGH
SL1 4PF, ENGLAND
TEL: +44 1753 575011 FAX: +44 1753 811359
email: design@carclo-optics.com

GENERAL TOLERANCES (UNLESS STATED)

LINEAR	ANGULAR
X +/- 0.25	X +/- 1°
X.X +/- 0.1	X.X +/- 0.5°
X.XX +/- 0.05	X.XX +/- 0.1°

CUSTOMER
CARCLO

TITLE
10mm TRIPLE OPTIC MEDIUM FROSTED

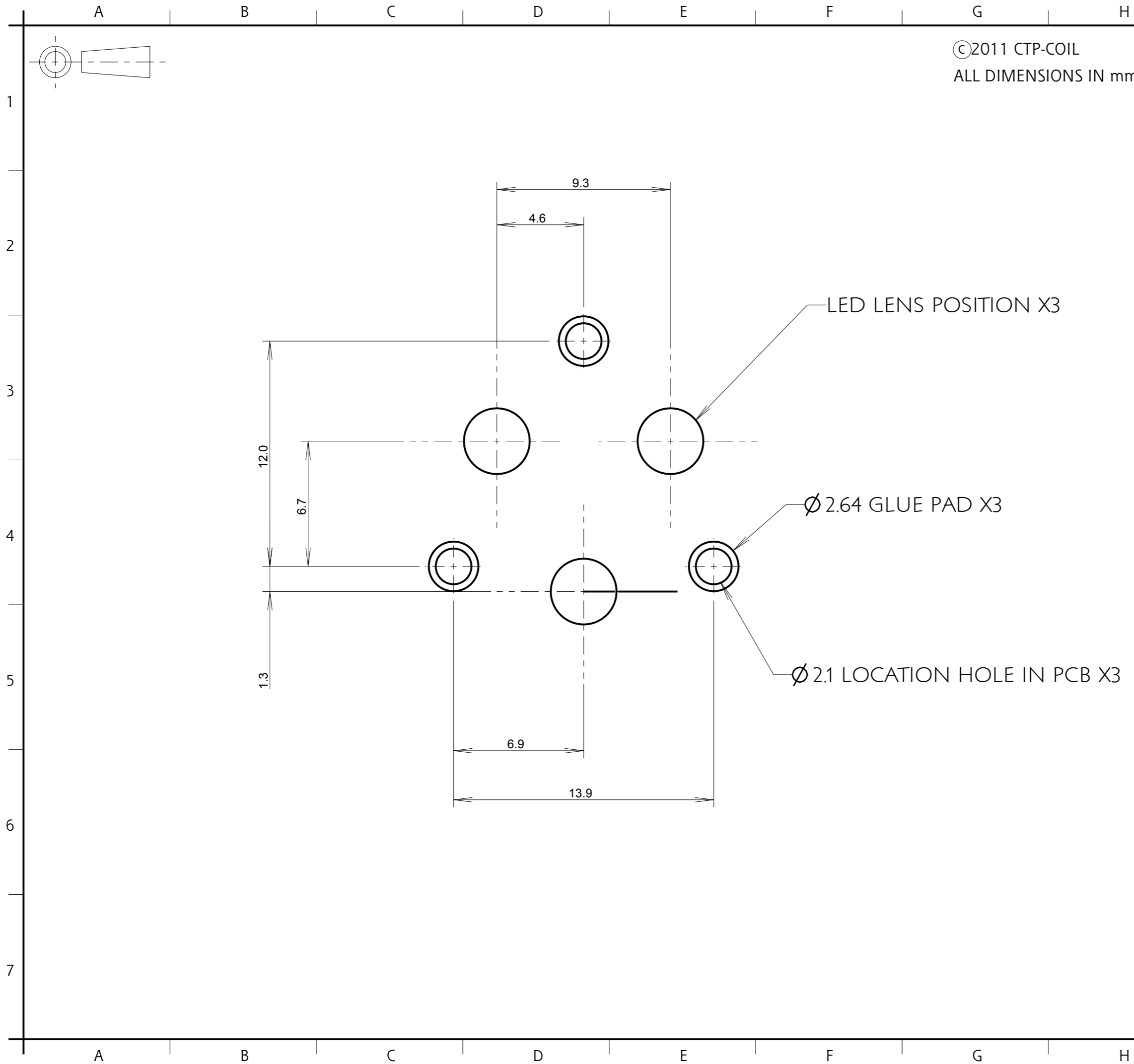
DRAWN MK DATE 06-May-11

CHK'D PW DATE 10-Aug-11

APP'D BB DATE 10-Aug-11

SCALE 4:1 COIL PART No. 10508

SIZE A3 COIL DRG. No. 60523 SHEET 2 OF 3



ISS.	DATE	E.C.N.	DESCRIPTION
1	06-May-08		FIRST ISSUE
2	18-Jun-08		GATE SIZE INCREASED
3	12-Nov-08	10/08/1233	LEG PIN LENGTH REDUCED TO 1.5MM
4	10-Mar-11	04/10/1270	R&K VALUES ALTERED
4A	10-Aug-11	08/11/1306	Gate tolerance updated


 technical plastics
CARCLO TECHNICAL PLASTICS (SLOUGH)
 103 BUCKINGHAM AVE, SLOUGH
 SL1 4PF, ENGLAND
 TEL: +44 1753 575011 FAX: +44 1753 811359
 email: design@carclo-optics.com

GENERAL TOLERANCES (UNLESS STATED)

LINEAR		ANGULAR	
X	+/- 0.25	X	+/- 1°
X.X	+/- 0.1	X.X	+/- 0.5°
X.XX	+/- 0.05	X.XX	+/- 0.1°

CUSTOMER	CARCLO
----------	--------

TITLE	10mm TRIPLE OPTIC MEDIUM FROSTED
-------	----------------------------------

DRAWN	MK	DATE	06-May-08
-------	----	------	-----------

CHK'D	PW	DATE	10-Aug-11
-------	----	------	-----------

APP'D	BB	DATE	10-Aug-11
-------	----	------	-----------

SCALE	5:1	COIL PART No.	10508
-------	-----	---------------	-------

SIZE	A3	COIL DRG. No.	60523	SHEET	3 OF 3
------	----	---------------	-------	-------	--------