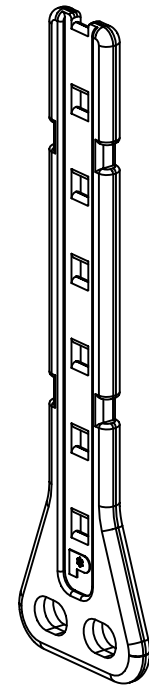
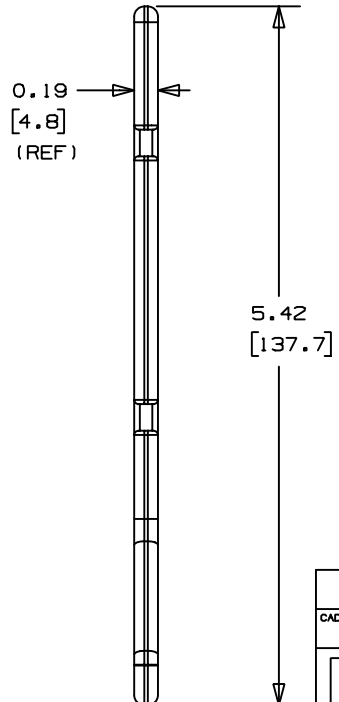
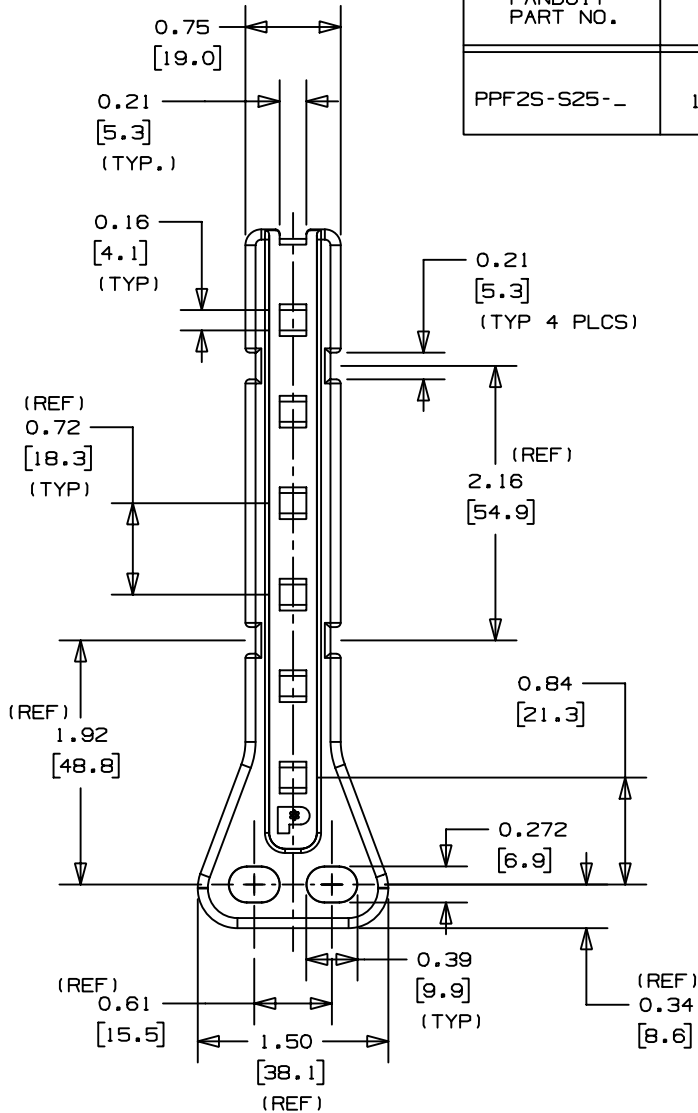


THIS COPY IS PROVIDED ON A RESTRICTED BASIS AND IS NOT TO BE USED IN ANY WAY DETRIMENTAL TO THE INTERESTS OF PANDUIT CORP.

PANDUIT PART NO.	RECM'D FASTNER	USE WITH ANY OF THESE CABLE TIE CROSS-SECTIONS	WEIGHT lbs. / 100 pcs (g) / 100 pcs
PPF2S-S25-__	1/4 or 6mm	M , I , S	2.5 (1133)



DIMENSIONS IN BRACKETS ARE METRIC [ mm ]	
CAD FILENAME/LAYERS G01796BK_PB_PPF2S_03	
<b>PANDUIT</b> CORP. TINLEY PARK, ILLINOIS	
PAN-POST (FLAT) (PPF2S-__=)	
UNLESS OTHERWISE SPECIFIED, DIMENSIONAL TOLERANCES ARE: (.X) ±0.05 (1.3) (.XXX) ±0.010 (0.25) (.XX) ±0.02 (0.5) ANGLES ± 5°	UNLESS OTHERWISE SPECIFIED, ALL DIMENSIONS ARE GIVEN IN INCHES, THIRD ANGLE PROJECTION.
DRAWN BY JAD	MAT'L: NYLON 6/6
DATE 1-12-99	SCALE 3/4"
CHK'D	DRAWING NO. GB1796BK
	DWG SIZE A

REV	DATE	BY	CHK	DESCRIPTION	ECN	R	CUST	SUP
3	9-16-02	LGG		CHG DIM: FROM .284 TO .272; .40 TO .39; AND 5.50 TO 5.42	GB1796BK	2		
2	7/05/01	LGG		ADDED REF AND UPDATED FOR WEB	GB1796BK	2		