

8

7

6

5

4

3

2

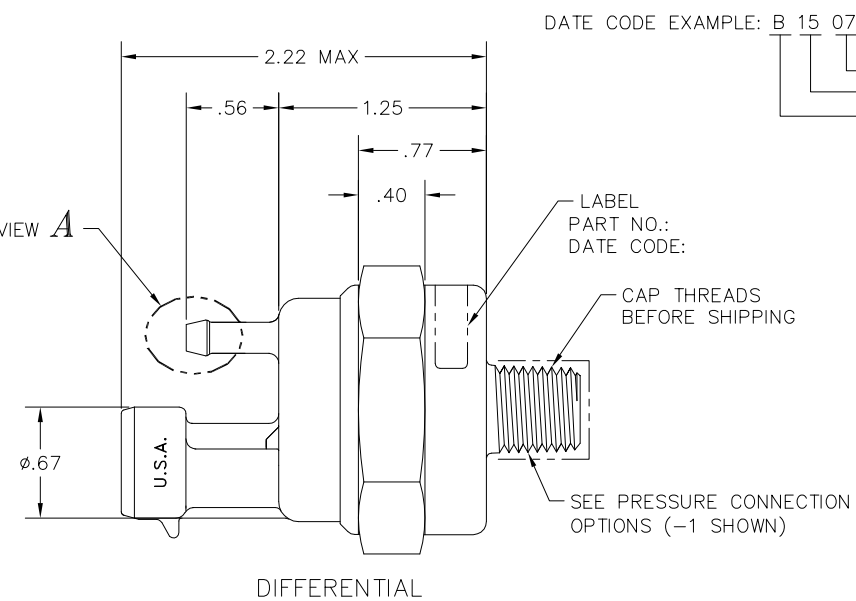
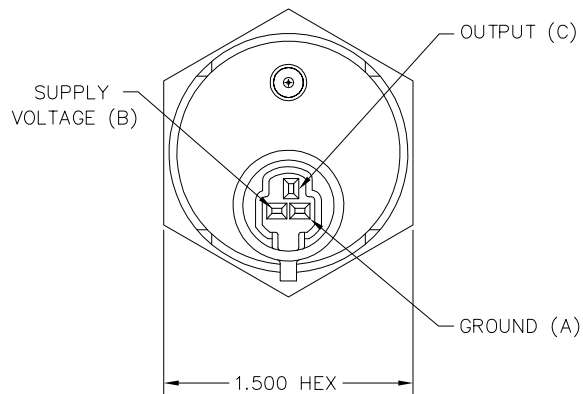
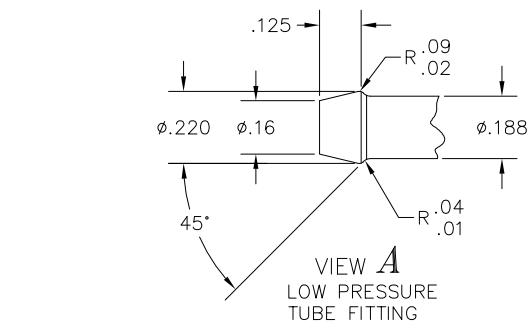
1

Those portions of this technical data indicated as limited rights shall not, without the written permission of Kavlico, be either (A) used, released or disclosed in whole or in part outside of the government (B) used in whole or in part by the government for manufacture, or, in the case of computer software documentation, for preparing the same or similar computer software, or (C) used by a party other than the government, except for (1) emergency repair or overhaul work only, by or for the government, where the item or process concerned is not otherwise reasonably available to enable timely performance of the work, provided that the release or disclosure hereof outside the government shall be made subject to a prohibition against further use, release or disclosure, or (2) release to a foreign government, as the interest of United States may repair or overhaul work by or for such government under the conditions of (1) above. This legend, together with the indications of the portions of this data which are subject to such limitations shall be included on any reproduction hereof which includes any part of the portions subject to such limitations.

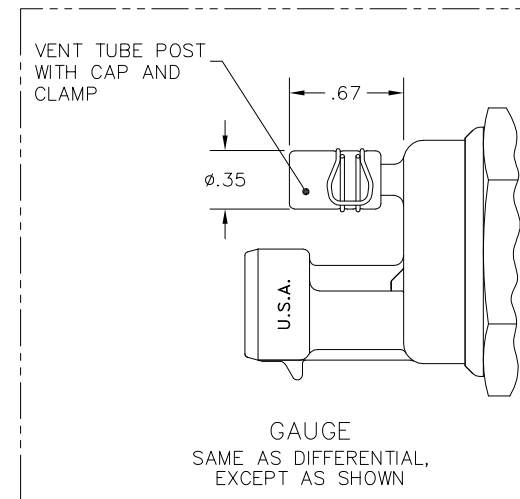
REVISIONS			
SYM	DESCRIPTION	DATE	APPROVED
G	REVISED PER ECO. 29925	11/12/07	

**SPECIFICATIONS:**

- INPUT**  
 PRESSURE RANGE: SEE MODEL DESIGNATION  
 PROOF PRESSURE (MAX): 2X FSO (HIGH PRESSURE PORT)  
 1 PSIG (LOW PRESSURE PORT)  
 BURST PRESSURE (MIN): 3X FSO (HIGH PRESSURE PORT)  
 3 PSIG (LOW PRESSURE PORT)  
 OPERATING SUPPLY VOLTAGE RANGE (Vs) = 5.000 ±.250 VDC
- OUTPUT VOLTAGE AT 25 °C (CALIBRATED AT Vs = 5.000±.002 VDC):  
 0.500±.080 VDC @ NULL SCALE PRESSURE TO  
 4.500±.080 VDC @ FULL SCALE PRESSURE
- TOTAL ALLOWABLE ACCURACY: ERROR OF ±3% OF SPAN INCLUDES OFFSET,  
 LINEARITY, HYSTERESIS, REPEATABILITY AND  
 AND TEMPERATURE(-30°C TO 100°C)
- LINEARITY ERROR: ±0.5% OF FULL SPAN MAX (BEST FIT STRAIGHT LINE).
- DELETED:
- RATIOMETRICITY ERROR IS WITHIN ±1.5% OF FULL SCALE OUTPUT  
 OVER 4.750 VDC ≤ Vs ≤ 5.250 VDC AT ROOM TEMPERATURE.
- EXCITATION CURRENT: 3 mA MAX
- RESPONSE TIME: 15 ms MAX. TO 63% OF FULL SCALE PRESSURE WITH STEP  
 CHANGE ON INPUT.
- CALIBRATED WITH OUTPUT OF 100K OHMS
- ENVIRONMENTAL:  
 OPERATING TEMPERATURE RANGE: FLUOROCARBON, -17°C TO 100°C  
 FLUOROSILICONE, -30°C TO 100°C  
 STORAGE TEMPERATURE RANGE: FLUOROCARBON, -17°C TO 120°C  
 FLUOROSILICONE, -40°C TO 125°C
- VIBRATION: 10 G'S PEAK TO PEAK SINUSOIDAL (10 TO 2000 Hz)  
 SHOCK: 75 G'S 1/2 SINEWAVE
- RELIABILITY**  
 EXPECTED OPERATING LIFE: 10 MILLION FULL PRESSURE CYCLES MIN  
 SHELF LIFE: 10 YEARS MIN
- HOUSING MATERIAL: MAIN BODY - BRASS, CA 360  
 CONNECTOR - ZYTEL (NYLON, 33% GLASS REINFORCED)
- WEIGHT: 4.5 OZ. MAX
- EMI PROTECTION: MAXIMUM CHANGE IN OUTPUT DUE TO RF FIELD OF 100  
 V/m FROM 10 KHz TO 1 GHz IS ±10% OF Vs.
- ELECTRICAL TERMINATION: BUILT-IN CONNECTOR MATES TO PACKARD  
 ELECTRIC DIVISION (PED) METRI-PACK 150 SERIES SEALED CONNECTOR  
 #12065287.
- MATING CONNECTOR, ASSEMBLED WITH 12 INCH LONG 16 AWG WIRES  
 (PART NO. 181-35-1)  
 COLOR CODE FOR LEAD WIRES: RED: SUPPLY VOLTAGE (B)  
 BLACK: GROUND (A)  
 GREEN: OUTPUT (C)



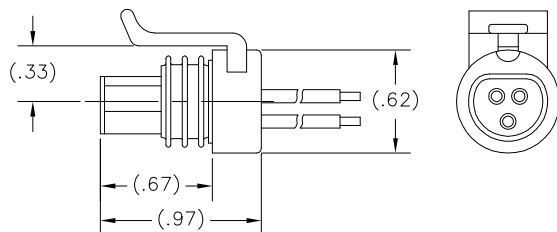
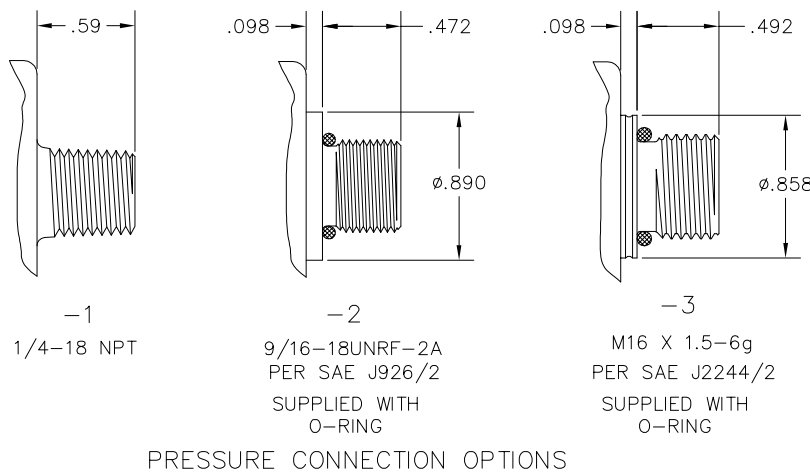
DATE CODE EXAMPLE: B 15 07  
 07 CURRENT YEAR  
 15 15TH DAY OF MONTH  
 B FEBRUARY



PART NO. DESIGNATION:

P356 - 3 G - D 1 A

PRESSURE RANGE (PSI)		
0 - 0.5	.....	A
±0.5	.....	DA
0 - 1	.....	1
0 - 1.3	.....	1.3
0 - 1.6	.....	1.6
±1	.....	D1
0 - 3	.....	3
0 - 5	.....	5
REFERENCE		
DIFFERENTIAL	.....	D
GAUGE	.....	G
SEAL MATERIAL		
FLUOROCARBON	.....	D
FLUOROSILICONE	.....	E
PRESSURE CONNECTION		
1/4-18 NPT	.....	1
9/16-18UNRF-2A	.....	2
M16 X 1.5-6g	.....	3
ELECTRICAL		
WITH MATING CONNECTOR	.....	A
WITHOUT MATING CONNECTOR	.....	C



16 MATING CONNECTOR (ELECTRICAL OPTION - A)

CUSTOMER	VERIFICATION REQUIRED TOTAL NUMBER	
CUSTOMER SPEC. NO.	SPC REQUIRED TOTAL NUMBER	
CUSTOMER DWG. NO.		

P356		DO NOT SCALE THIS DRAWING ALL DIMENSIONS ARE IN INCHES AND/OR [MILLIMETERS] DIMENSIONING & TOLERANCING PER ANSI Y14.5M-1982 TOL: .XX ±.03 [X ±.8] FRACT ±1/32 .XXX ±.010 [XX ±.25] ANG ±1/2° DRAFT ANGLE 1/2° MAX FINISH PER ANSI B46.1 ALL MACHINED SURFACES THREADS SHALL BE IN ACCORDANCE WITH ASME B1.1 ABBREVIATIONS PER ASME Y1.1
REMOVE BURRS AND BREAK SHARP EDGES: MACHINED FILLET RADII TO BE		THIRD ANGLE PROJECTION PART TO BE CLEAN AND OIL FREE
SIGNIFICANT CHARACTERISTICS PER QCP 154		DRAWN R.T. CRUZ 6/20/97
VERIFICATION REQUIRED TOTAL NUMBER		CHECKED D. KIM 7/01/97
SPC REQUIRED TOTAL NUMBER		APPROVED M. URBAN 7/08/97
UNLESS OTHERWISE SPECIFIED		

THIRD ANGLE PROJECTION PART TO BE CLEAN AND OIL FREE	
DRAWN R.T. CRUZ 6/20/97	
CHECKED D. KIM 7/01/97	
APPROVED M. URBAN 7/08/97	



TITLE PRESSURE TRANSDUCER			
SIZE B	CODE IDENT NO. 22863	DRAWING NO. P356-TAB	REV G
SCALE NONE	CAD: AUTOCAD	SHEET 1 OF 1	

DRAWING NO. P356-TAB