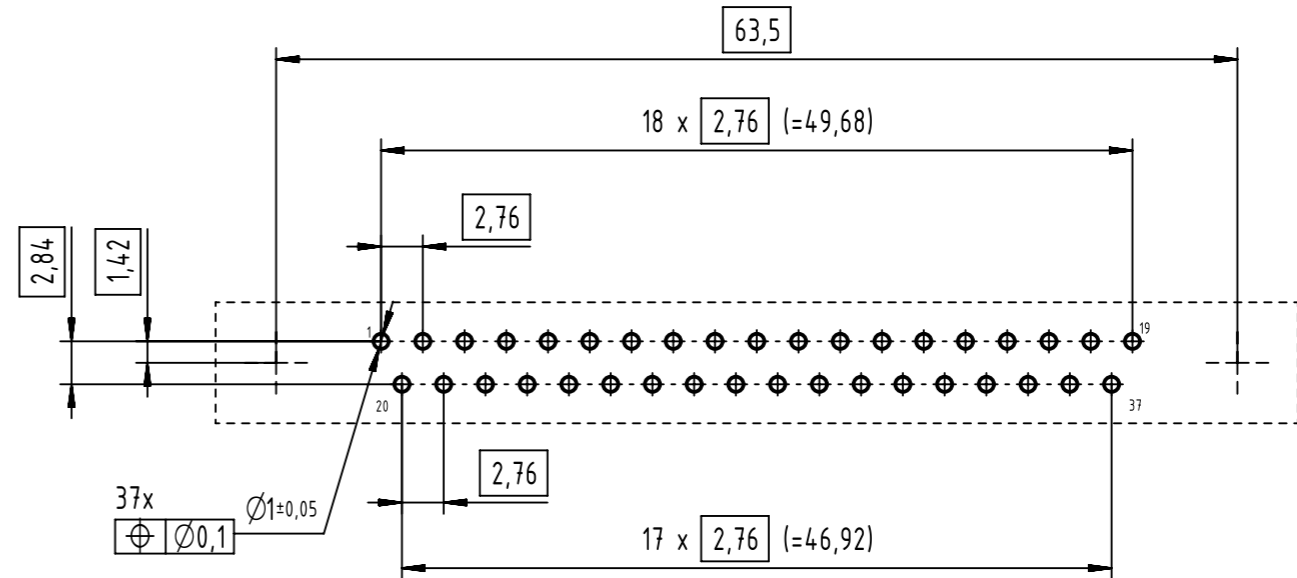
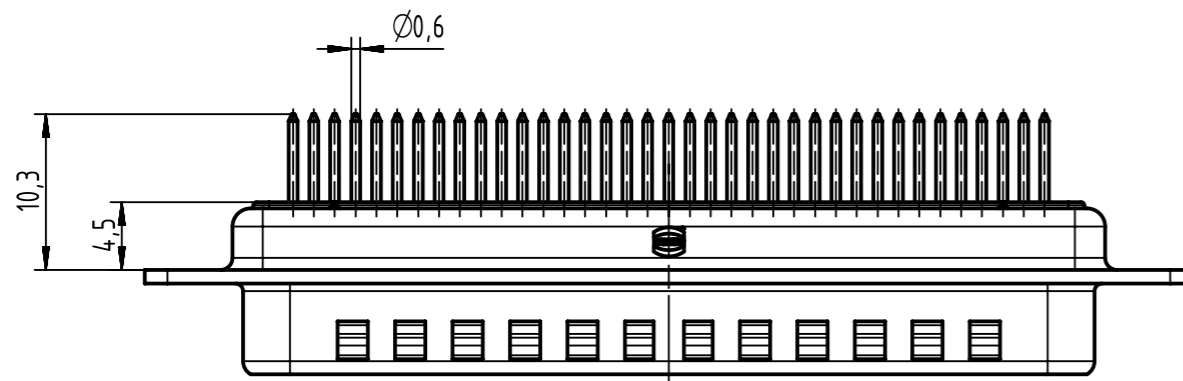


PC-Board layout
view component side



09 67 037 5655	PL2
09 67 037 5654	PL3
Part number	Performance level

	All rights reserved	Created by ZHUANGJ	Inspected by LUOK	Standardisation HOFFMANN	Date 2018-05-02	State Final Release
	Department EL PD	Title D-Sub male 37-pole straight assembly		Doc-Key / ECM-Nr. 100578529/UGD/000/B 500000132564		
HARTING Electronics GmbH D-32339 Espelkamp		Type TB	Number 0967037565X		Rev. B	Page 1/1