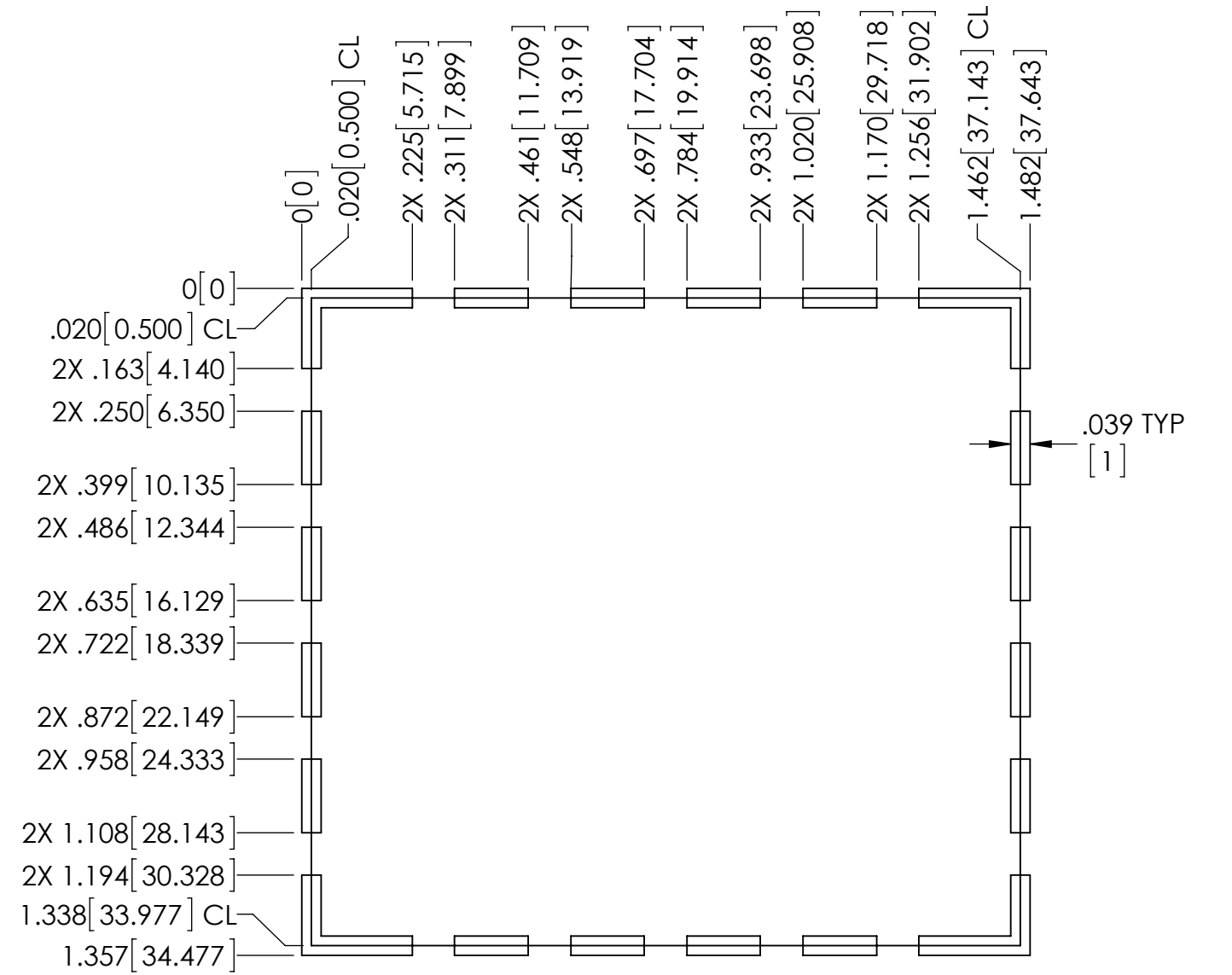
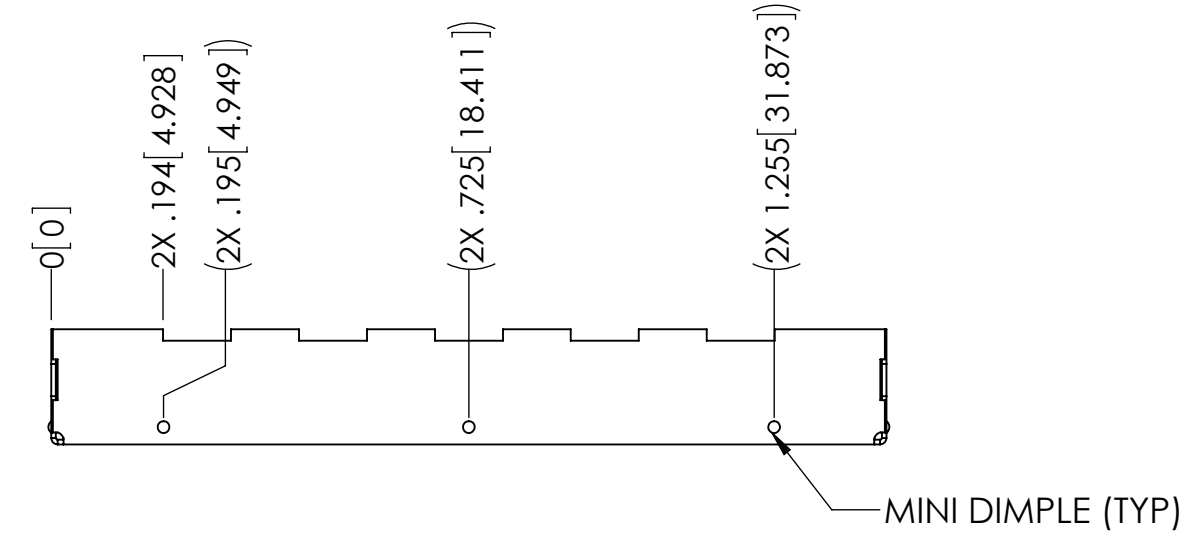
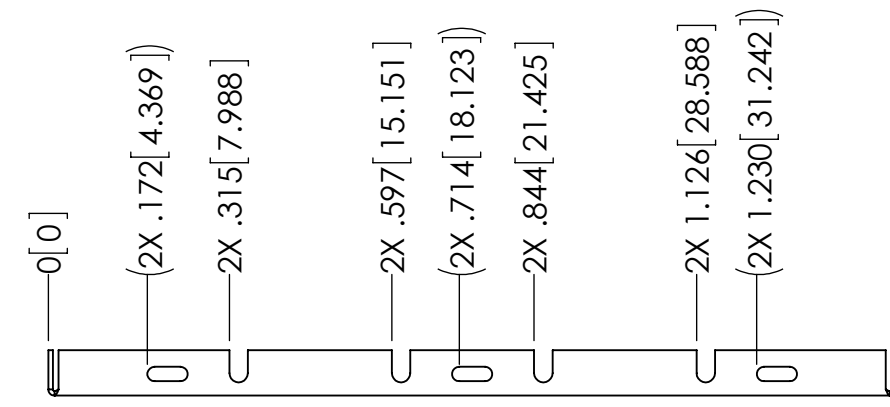
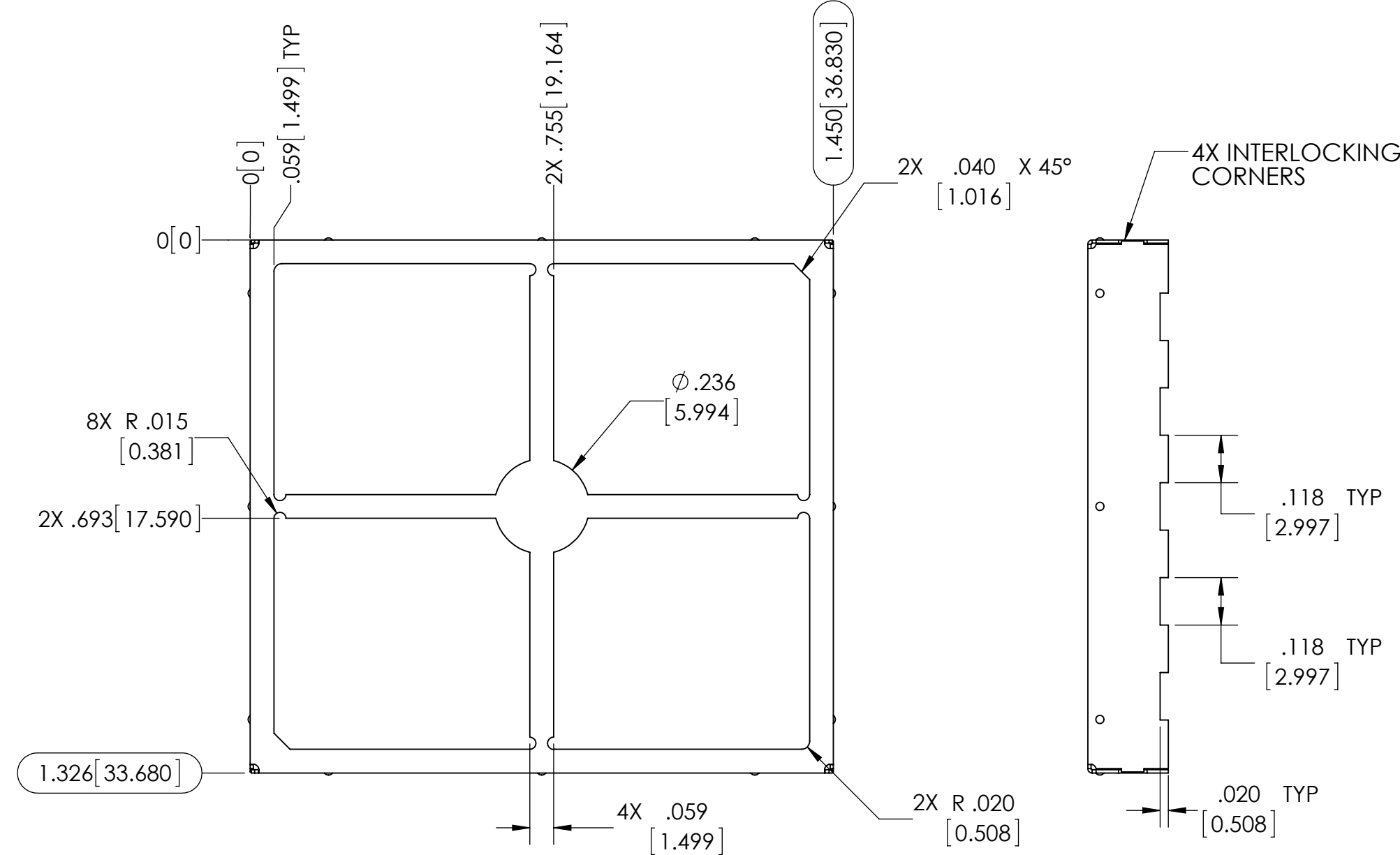
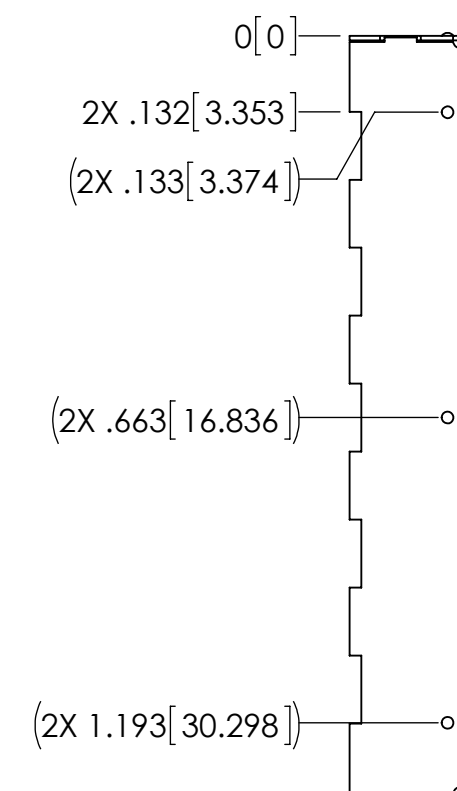
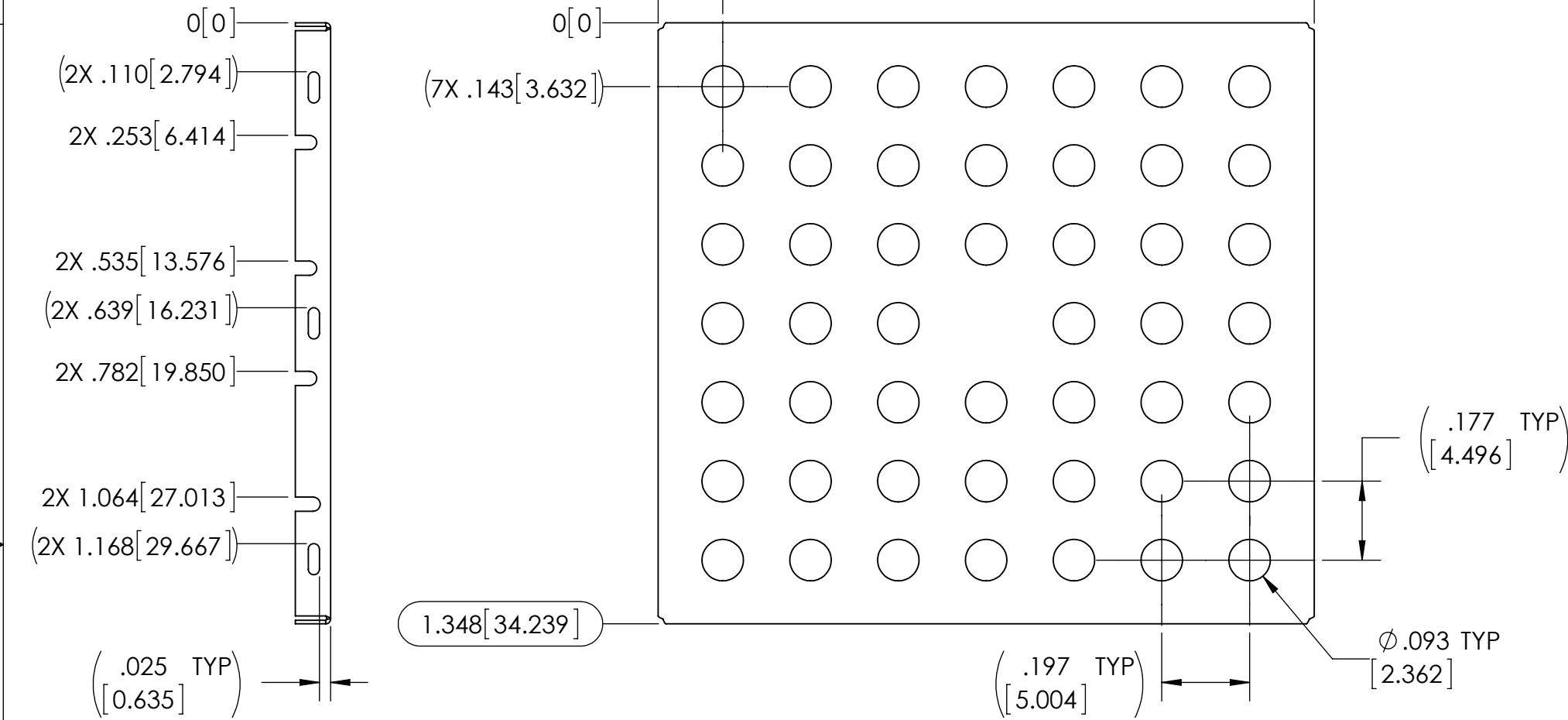


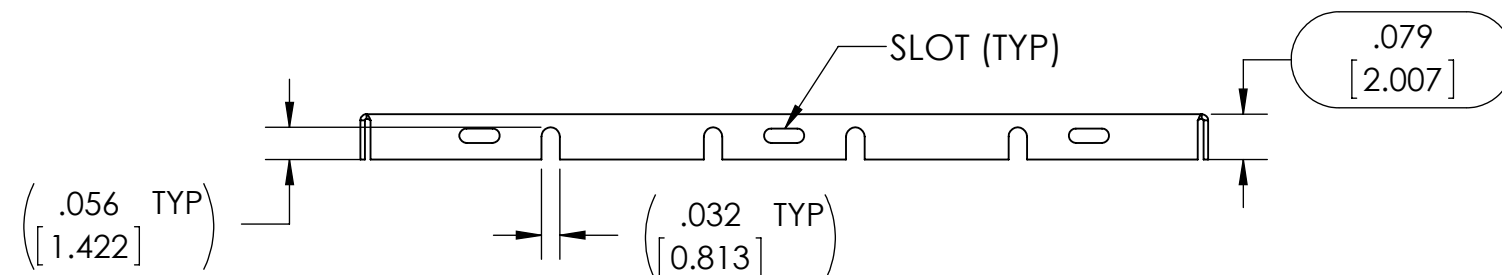
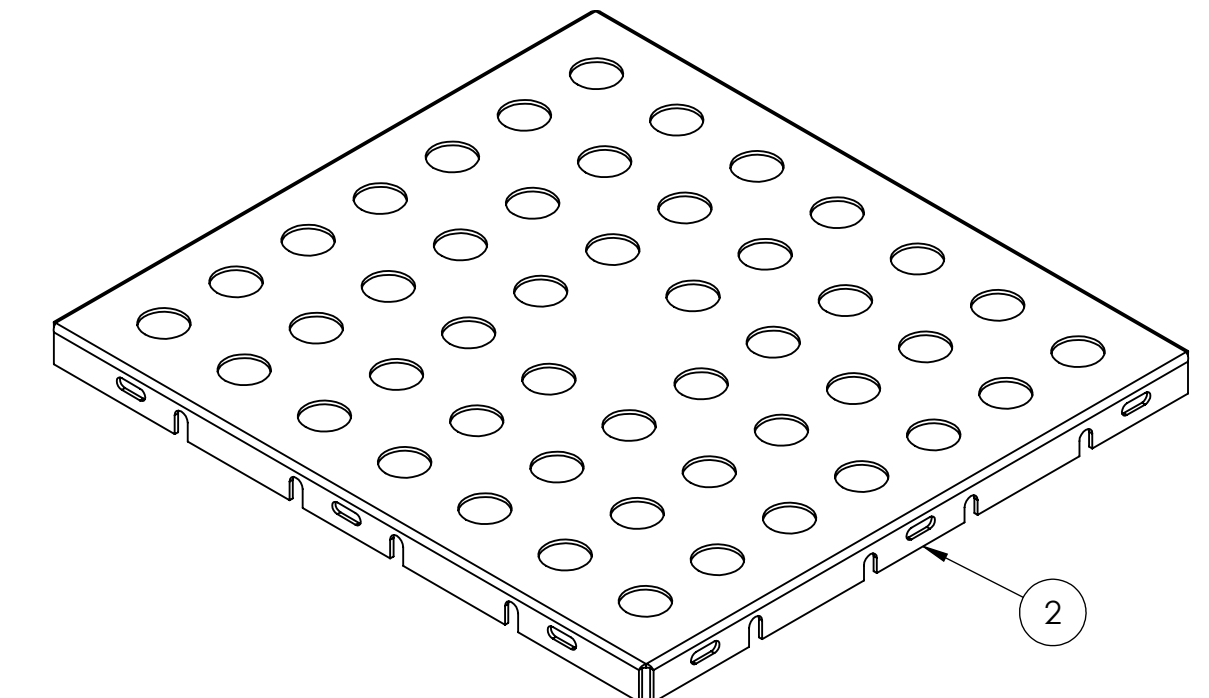
- NOTES:
- PART SHALL BE FREE OF BURRS AND SHARP EDGES
  - ASSURE ASSEMBLY CAPABILITY BY MATCHING WITH MATING PART
  - DIMENSIONS IN [ ] ARE IN MILLIMETERS



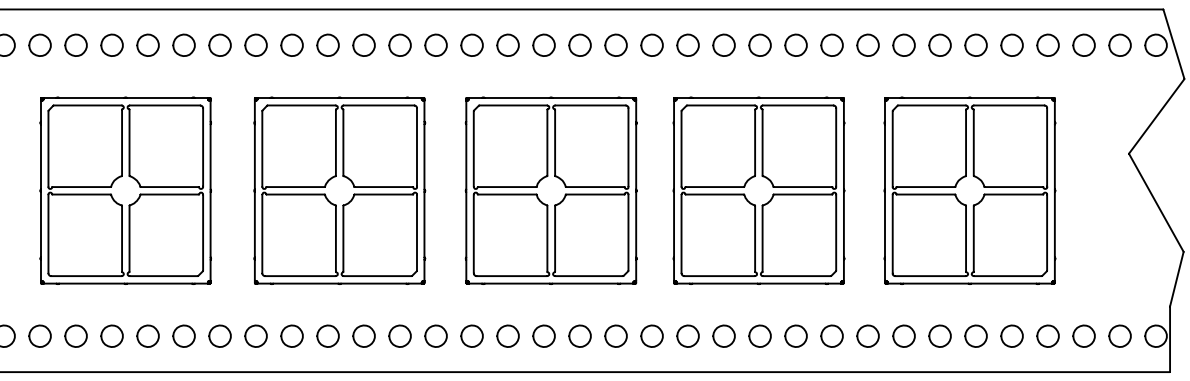
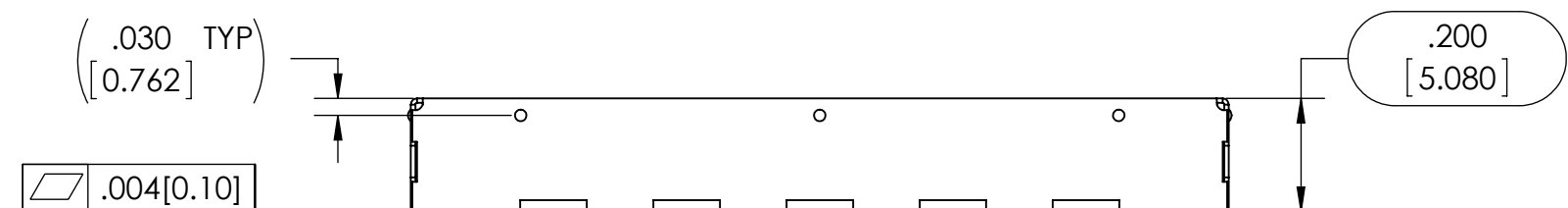
TRACE PATTERN



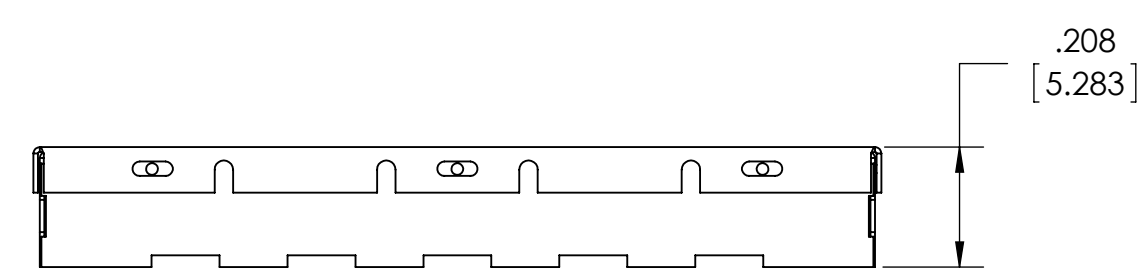
FORMED FRAME



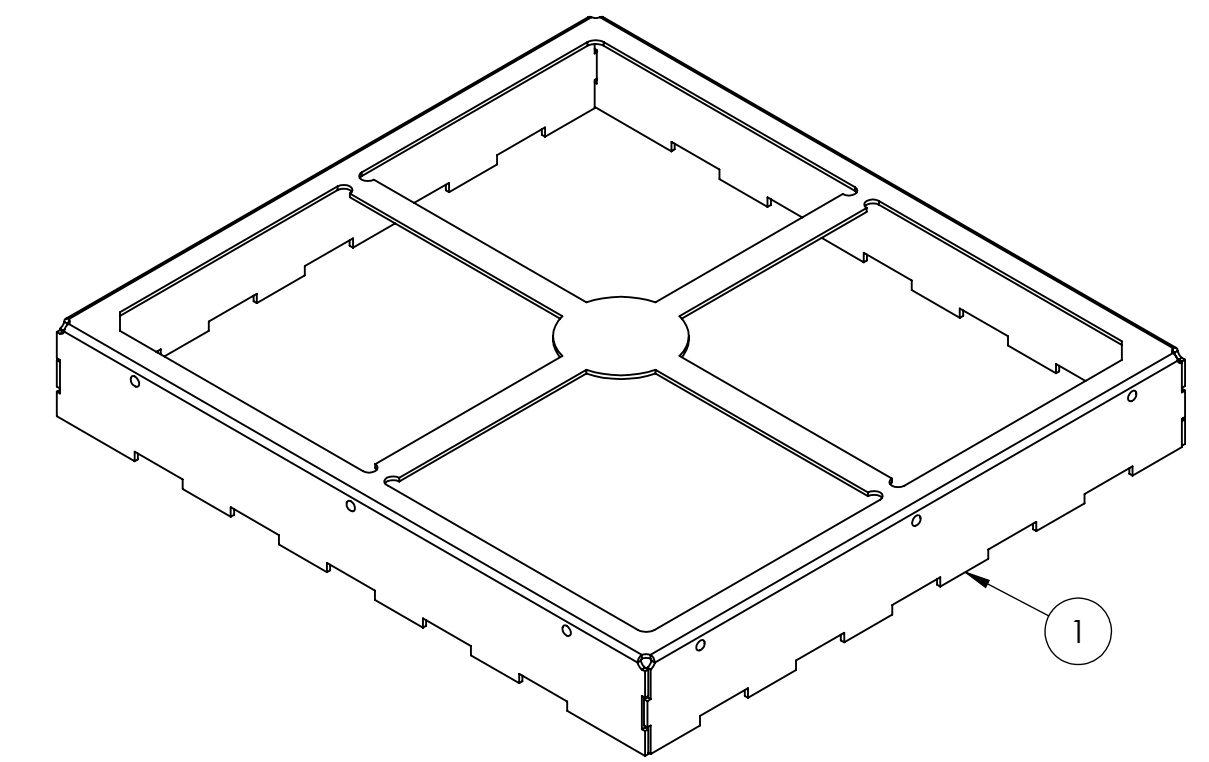
FORMED COVER



CARRIER TAPE



ASSEMBLY



ITEM NO.	PART NUMBER	DESCRIPTION	QTY.
1	SMS-206 F	FRAME	1
2	SMS-206 C	COVER	1

UNLESS OTHERWISE SPECIFIED:  
 - ALL DIMENSIONS ARE IN INCHES  
 - PART SHALL BE FREE OF BURRS AND SHARP EDGES  
 - ALL DIMENSIONS SHOWN APPLY BEFORE PLATING AND COATINGS  
 - ROHS COMPLIANT PER EU DIRECTIVE 2011/65/EU  
 - POI = POINT OF INTERSECTION

THIRD ANGLE PROJECTION

LEADER TECH  
 a HEICO company  
 The Leading Edge in PAF Housing Technology

TITLE: SURFACE MOUNT SHIELD

DRAWN BY: DJ M 09/02/2009 APPROVED BY: -

SIZE: D DWG. NO.: SMS-206 REV: D

SCALE: 3:1 CAGE CODE: 4J674 SHEET: 1 OF 1

MATERIAL: MATTE .008[0.20] PRE TIN STEEL

CARRIER TAPE SPECIFICATIONS						
PART NUMBER	DESCRIPTION	OVERALL DIMENSIONS	OVERALL HEIGHT	CARRIER TAPE WIDTH	CARRIER TAPE PITCH	PARTS PER REEL
SMS-206-F	FRAME	1.450 X 1.326 [36.83 X 33.68]	.200 [5.08]	56 mm	40 mm	300
SMS-206-C	COVER	1.472 X 1.348 [37.38 X 34.24]	.079 [2.01]	N/A	N/A	BULK PACK

THIS DOCUMENT CONTAINS PROPRIETARY INFORMATION OWNED BY LEADERTECH OR DEVELOPED AT ITS OWN PRIVATE EXPENSE AND MAY NOT BE USED, DUPLICATED, OR DISCLOSED IN WHOLE OR IN PART FOR ANY PURPOSE INCLUDING DESIGN, MANUFACTURE OR PROCUREMENT WITHOUT THE WRITTEN PERMISSION OF LEADERTECH. LEADERTECH DOES NOT GUARANTEE OR WARRANT THE PERFORMANCE CHARACTERISTICS.