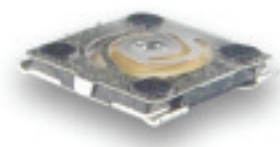


KMX Series Microminiature Tact Switch for SMT



Features

- Ultra low profile 0.58mm
- Compact switch body; 4.5x4.5mm
- 1.6 and 2.2N sharp tactile feel
- 250k cycles
- \varnothing 1.4mm actuator grounded
- Lead free compliant

Typical Applications

- Allows higher board density with compact SMT switch for ultra low profile environment: cell phones keypads, key fob, white goods, medical and military

Specification

FUNCTION: Snap action push-on type SPST/shielded
CONTACT TYPE: Normally open
TERMINALS: Gullwing type for SMT

Mechanical

MAXIMUM ACTUATING FORCE/LIFE: 20 N for 1,000 cycles

| Type | Operating force Newtons (grams) | Operating life (operations) | Travel |
|--------------|------------------------------------|--------------------------------|-----------------|
| KMX211G/213G | 1.6 (160) \pm 30% | 250,000 | 0,20 \pm 0,10 |
| KMX221G/223G | 2.2 (220) \pm 30% | 250,000 | 0,20 \pm 0,10 |

Packaging

Switches are delivered in tape and reels of 10,000 pieces. The reel diameter is 380 (14.961). The tape dimensions conform to the EIA-RS-481 and EC-286-6 norms.

NOTE: For the latest information regarding RoHS compliance, please go to: www.ittcannon.com/rohs.

Electrical

| | Silver | Gold |
|------------------------|-----------------------|--------|
| MAXIMUM POWER: | 0.5 VA | 0.5 VA |
| MAXIMUM VOLTAGE: | 32 VDC | 32 VDC |
| MAXIMUM CURRENT DC: | 50 mA | 20 mA |
| MINIMUM CURRENT DC: | 1 mA | 1 mA |
| CONTACT RESISTANCE: | \leq 100 m Ω | |
| INSULATION RESISTANCE: | \geq 50 M Ω | |
| BOUNCE TIME: | \leq 6 ms | |

Environmental

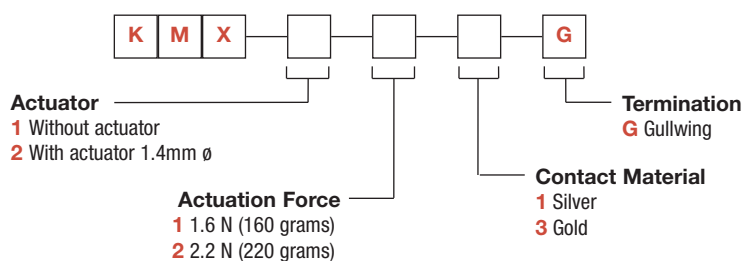
| | Silver | Gold |
|------------------------|---------------|----------------|
| OPERATING TEMPERATURE: | -40°C to 85°C | -40°C to 125°C |
| STORAGE TEMPERATURE: | -55°C to 85°C | -55°C to 125°C |
| RELATIVE HUMIDITY | 90 to 96% | |

Process

Compatible with infrared reflow, lead free soldering and pick and place SMT machines.

How To Order

Our easy build-a-switch concept allows you to mix and match options to create the switch you need. To order, select desired option from each category and place it in the appropriate box.

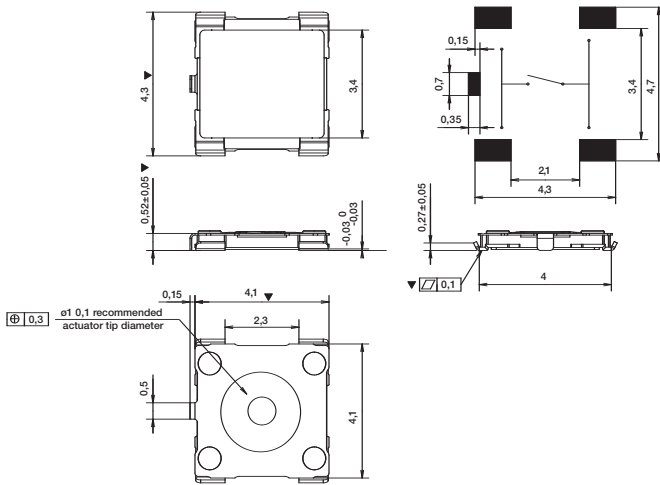


KMX Series Microminiature Tact Switch for SMT

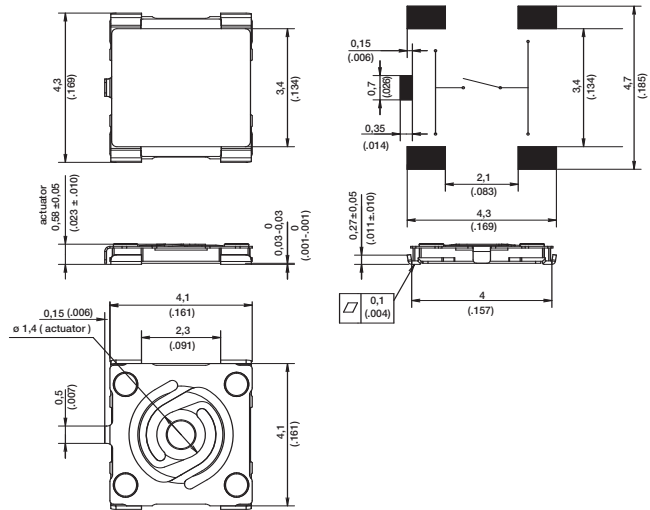
ACTUATOR

KMX 1

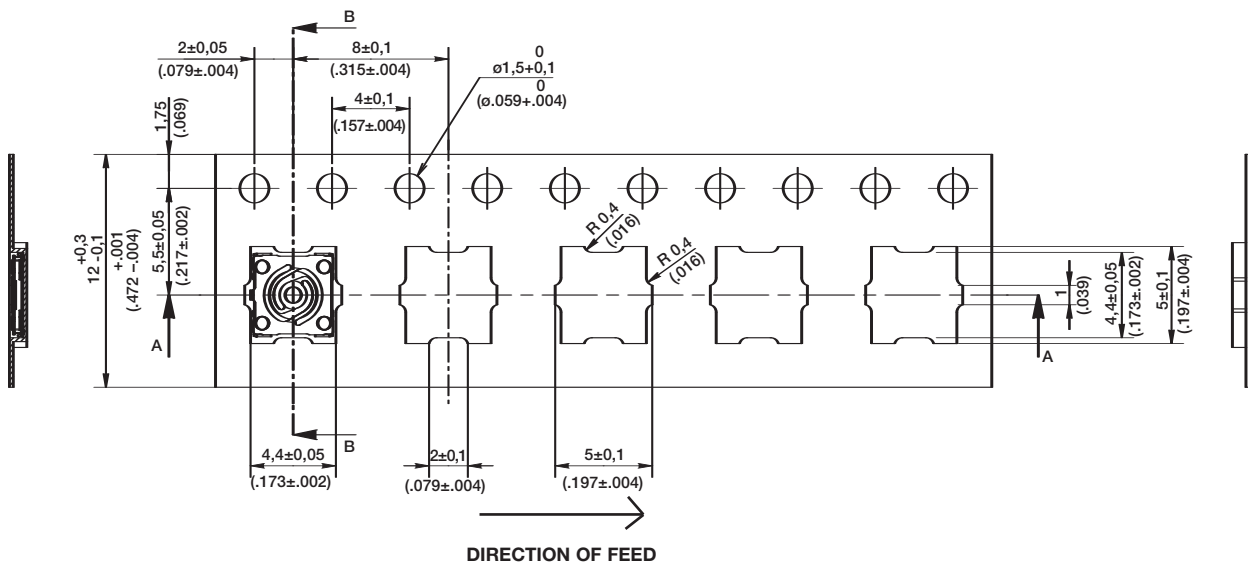
PAD LAYOUT



KMX 2



TAPE & REEL



First Angle
Projection

Dimensions shown in: mm (inch)
Specifications and dimensions subject to change