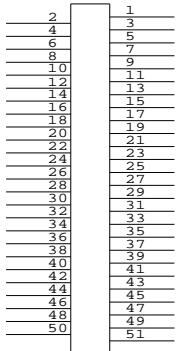


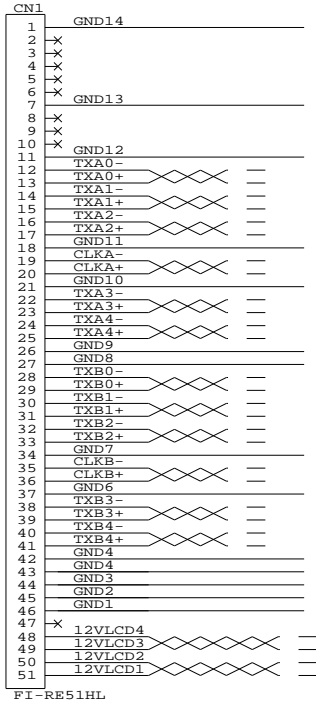
CONNECTION DIAGRAM:

IMPORTANT NOTE:

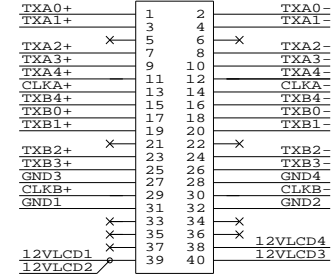
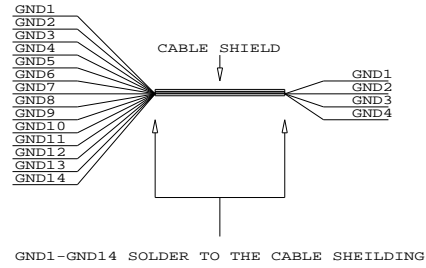


EVEN PIN USE
CRIMP TERMINAL
FI-RC3-1A-1E

ODD PIN USE
CRIMP TERMINAL
FI-RC3-1B-1E



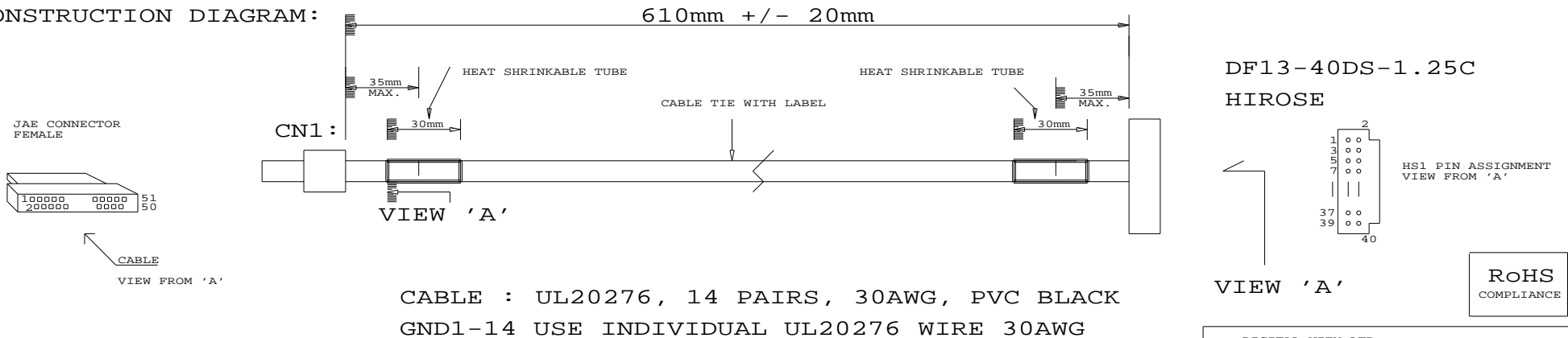
FI-RE51HL



DF13-40DS-1.25C

CONTROLLER SIDE

CONSTRUCTION DIAGRAM:



CABLE : UL20276, 14 PAIRS, 30AWG, PVC BLACK
GND1-14 USE INDIVIDUAL UL20276 WIRE 30AWG

DF13-40DS-1.25C
HIROSE

HS1 PIN ASSIGNMENT
VIEW FROM 'A'

RoHS COMPLIANCE

DIGITAL VIEW LTD.
COPYRIGHT 2008, ALL RIGHTS RESERVED
CONFIDENTIAL
DRAWN BY: VICTOR NG

Title		ROUND PAIRED CABLE: LG LC370WUD
Size	Document Number	REV
B	(...\DV\DV_CABLE\C6497700.SCH)	00
Date	September 19, 2008	Sheet 1 of

USAGE: IE-1000 FOR LG LC370WUD

P/N 426497700-3

LVDS ROUND TWISTED PAIR CABLE: FOR LG LC370WUD, 610MM