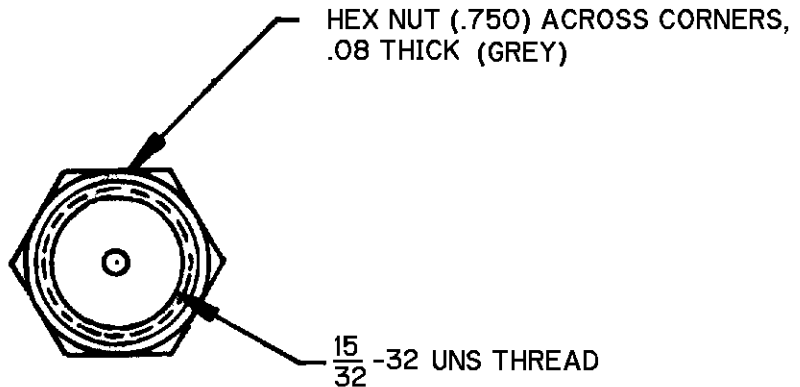
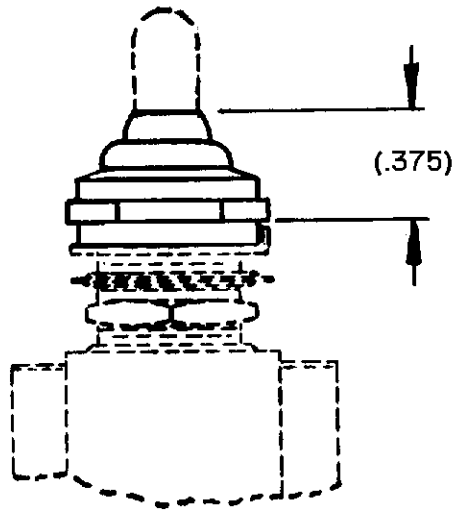


THIS DRAWING COVERS A PROPRIETARY ITEM AND IS THE PROPERTY OF MICRO SWITCH, A DIVISION OF HONEYWELL. THIS DRAWING IS NOT TO BE COPIED OR USED WITHOUT THE APPROVAL OF MICRO SWITCH.

CATALOG LISTING
10PA11
 PAGE 1 OF 1
 RELEASE NO. PR-23427
 REPLACES
 ISSUE **1**
 CHECK
 REVISIONS
 CHECK
 CHECK
28 APR 98
J A F
 CHECK
 CHECK
28 APR 98
J J A
 DRAWN
FORMTEK



| | |
|--|-----------------------|
| THIRD ANGLE PROJECTION | |
| | |
| SCALE NONE | DO NOT SCALE PRINT |
| UNLESS OTHERWISE SPECIFIED TOLERANCES ARE | |
| ONE PLACE (.0) | ±.030 |
| TWO PLACE (.00) | ±.015 |
| THREE PLACE (.000) | ±.005 |
| ANGLES | ± |
| WEIGHT | |