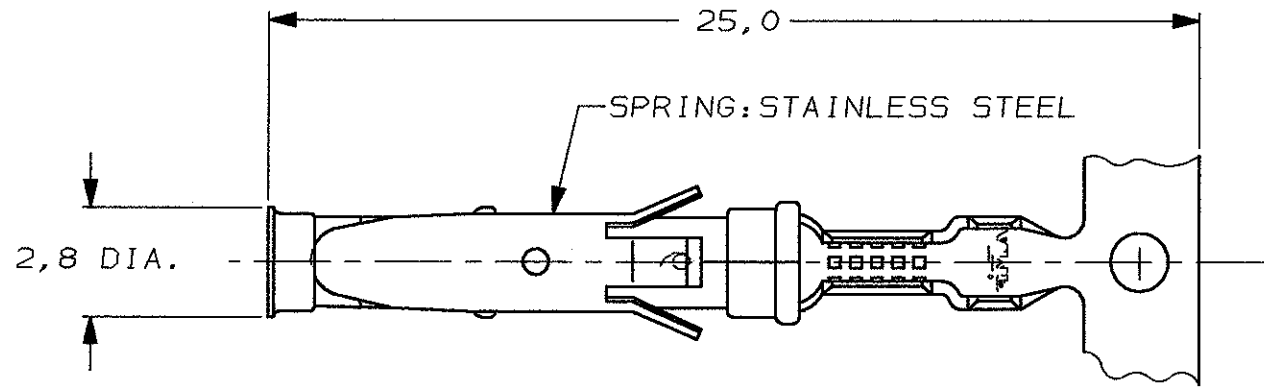
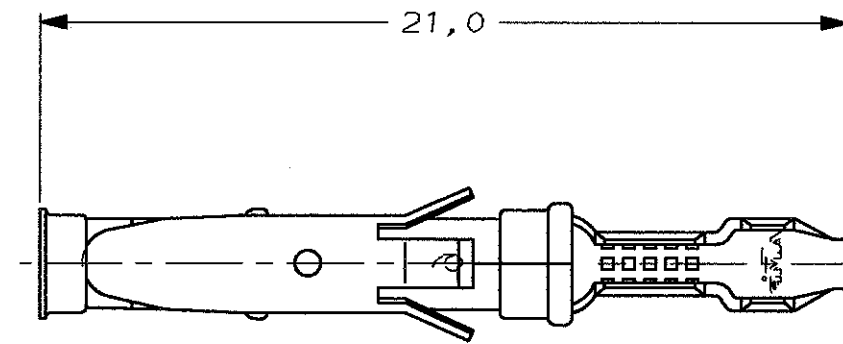


DO NOT SCALE
DIMENSIONS IN mm

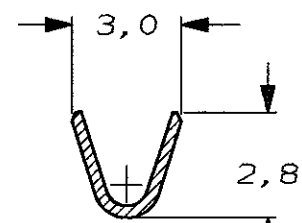
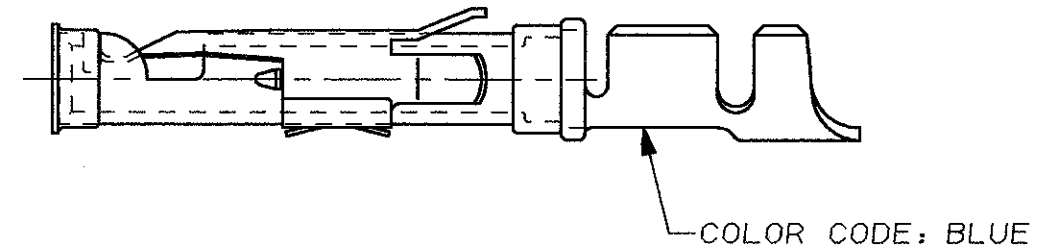
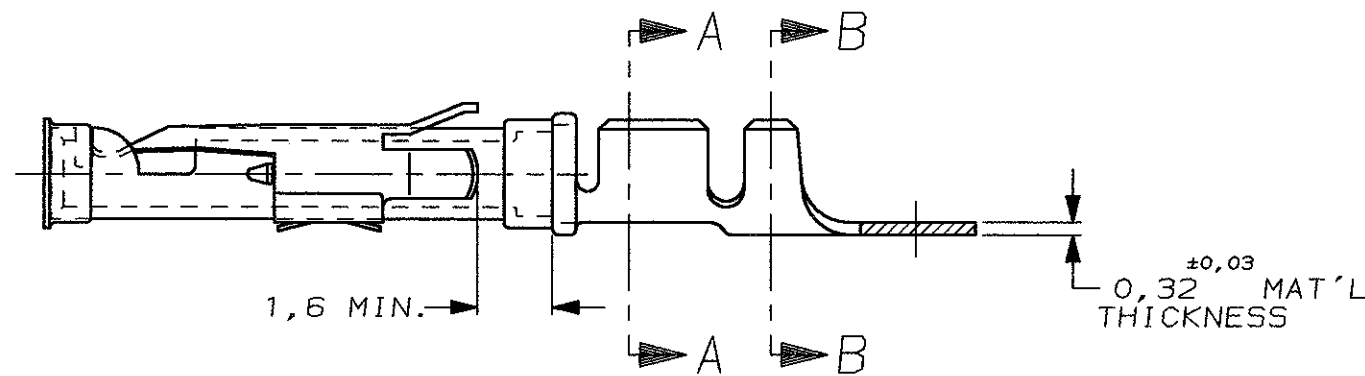
METRIC



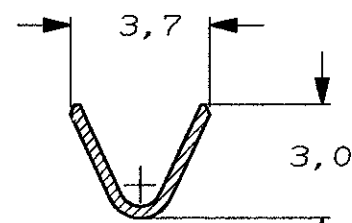
STRIP



LOOSE-PIECE



SECTION A-A



SECTION B-B

WIRE RANGE : 0,75-1,50 mm² (18-16 AWG)
INSUL. RANGE : 2,0 -2,5 mm (.080-.100)

| | | | | | | | |
|-------------|------------|----|-------------------|-------------|----------|--------------|---------|
| △5 OBSOLETE | 5-163083-3 | △4 | △C | | BRASS | ECON. GOLD | △21 |
| | 5-163083-2 | △1 | △4 | △C | BRASS | SEL. GOLD | △22 |
| | 5-163083-1 | △1 | △4 | △C | BRASS | EL. TIN | △20 |
| | 1-163083-4 | | △A | 1-163084-4 | BRASS | EL. TIN | △31 △20 |
| △5 OBSOLETE | 1-163083-3 | | △A | 1-163084-3 | BRASS | BR. TIN/LEAD | △30 |
| | 1-163083-2 | | △A | | BRASS | SILVER | △28 |
| | 1-163083-1 | | △A | | BRASS | ECON. GOLD | △21 |
| | 1-163083-0 | | △B | 1-163084-0 | BRASS | ECON. GOLD | △21 |
| | 163083-9 | | △B | | BRASS | SILVER | △28 |
| | 163083-8 | | △A | | BRASS | EL. TIN | △20 |
| | 163083-7 | | △A | | BRASS | SEL. GOLD | △22 |
| | 163083-2 | △1 | △B | 163084-2 | BRASS | SEL. GOLD | △22 |
| | 163083-1 | △1 | △B | 163084-1 | BRASS | EL. TIN | △20 |
| | PARTNUMBER | | DIRECTION OF REEL | LOOSE-PIECE | MATERIAL | PLATING | |

| | |
|------------------------------------|----|
| DIRECTION OFF TOP OF REEL | |
| AMPOMATOR + MINI-APPL. 107-3-FIG.1 | △A |
| 107-3-FIG.2 | △B |
| 107-3-FIG.4 | △C |

| NOTES | MATERIAL | THICKNESS | AREA |
|-------|------------------------------|-----------------------|--------------------------------------|
| △20 | TIN | 2,0 μm | ALL OVER |
| △21 | NICKEL GOLD TIN/LEAD | 0,8 μm | ALL OVER CONTACT AREA BARREL |
| △22 | NICKEL GOLD GOLD | 0,8 μm | ALL OVER CONTACT AREA ALL OVER |
| △23 | NICKEL GOLD GOLD | 1,2 μm | ALL OVER CONTACT AREA ALL OVER |
| △24 | NICKEL SILVER TIN/LEAD | 2,5 μm | ALL OVER CONTACT AREA BARREL |
| △25 | SILVER NICKEL | 1,5-2,5 μm 0,76 μm | ALL OVER ALL OVER |
| △26 | SILVER | 2,5 μm | ALL OVER |
| △30 | NICKEL TIN/LEAD | 1,27 μm 1,27 μm | ALL OVER ALL OVER |
| △31 | LUBRICATED | | |

| REVISION | REVISION | BY | DATE |
|----------|---------------|------|----------------|
| AZ1 | ECO-10-000445 | KK | HMR 19JAN10 |
| AZ | EBD0-0003-05 | AM | FWK 05/01/05 |
| AY | EBD0-0335-04 | JMS | FWK 02/08/04 |
| V | EH-1020-98 | D.K. | R.V. 08 JUL 98 |
| U | EH-1347-96 | JvL | RV 21-11-96 |
| T | EH-0302-94 | JvL | MVD 03-05-94 |
| S | ECN H-9813 | JvdH | RD 18-05-92 |

CUSTOMER DRAWING FOR REFERENCE ONLY
WILL NOT BE UPDATED

© COPYRIGHT 19- BY AMP HOLLAND B.V.
ALL INTERNATIONAL RIGHTS RESERVED. AMP PRODUCTS MAY BE
COVERED BY U.S. AND FOREIGN AND/OR PATENTS PENDING.
THIS DRAWING IS UNPUBLISHED
RELEASED FOR PUBLICATION _____, 19____

AMP AMP HOLLAND B.V.
's-Hertogenbosch,
The Netherlands.

SOCKET TYPE III CONTACT
SIZE 16

- NOTES :
- 1 U.L. RECONIZED UNDER FILE E28476 VOL. VI SEC. I .
 - 2 FOR CRIMPDETAILS SEE AMP-SPEC. 114-19.000 .
 - 3 MEETS PRODUCTSPECIFICATION 108-10042.
 - 4 SPECIAL REEL WITH 200 PCS FOR REEL-FED HANDTOOL.
 - 5 OBSOLETE PARTS: OBSOLETE CIS STREAMLINING PER D.RENAUD/D.SINISI

| | | | | | |
|---------|----------|----------|----------|-----------|--------|
| DR. : - | CHK. : - | APP. : - | DWG. No. | REV. LTR. | SHEET |
| DATE: - | DATE: - | DATE: - | 163083 | AZ1 | 1 OF 1 |