



24W Wall Plug Adapter



Features

- Class B EMI
- No Load Power Consumption <0.3W
- Ecodesign ErP Directive 2009/125/EC level 2 annex 1b Compliant
- Class II Double Insulated
- CEC Compliant
- Short-Circuit Protection

Applications

- Portable Equipment
- Peripherals
- Access Devices

Safety Approvals

- CE
- TUV

Mechanical Characteristics

- Length: 83.5mm (3.29in)
- Width: 35mm (1.38in)
- Height: 53.5mm (2.11in)

Output Specifications

Model ⁽¹⁾	DC Output Voltage	Load		Ripple P-P (max.)	Efficiency Level
		Min.	Max.		
PSAC24E-120-R	12V	0A	2A	120mV	

Notes(1): Minimum order quantity of 3500 pieces required when ordering.

Phihong is not responsible for any error, and reserves the right to make changes without notice. Please visit our website at www.phihong.com for the most up-to-date specifications and contact information.

INPUT:

AC Input Voltage Rating
100-240V AC

AC Input Voltage Range
90-264V AC

AC Input Frequency
50-60Hz

Input Current
0.6A (RMS) max at 100V AC

Leakage Current
0.25mA maximum

Inrush Current
85A maximum at 230V AC
(Cold Start and ambient 25°C)

Input Power Saving
<0.3W at 115V AC and 230V AC, 0A

OUTPUT:

Efficiency
Meets Level V Efficiency Requirements
82% Minimum efficiency

ENVIRONMENTAL:

Temperature
Operation 0 to 40°C
Non-operation -40 to 85°C
Humidity 90%

Over-Voltage Protection

Voltage should not exceed 24V

Over-Current Protection

5A maximum at 230V AC

EMI

Complies with FCC Class B
Complies with EN55032 Class B

Immunity

ESD: EN61000-4-2	Level 4
Surge: EN61000-4-5	Level 2
EFT: EN61000-4-4	Level 2

Dielectric Withstand (Hi-pot) Test

Primary to Secondary: 3000V AC for 1 minute, 10mA

Insulation Resistance

Primary to Secondary: 7M ohm 500V DC

MTBF

50K Hours min(MIL-HDBK-217F) at max load and 25°C

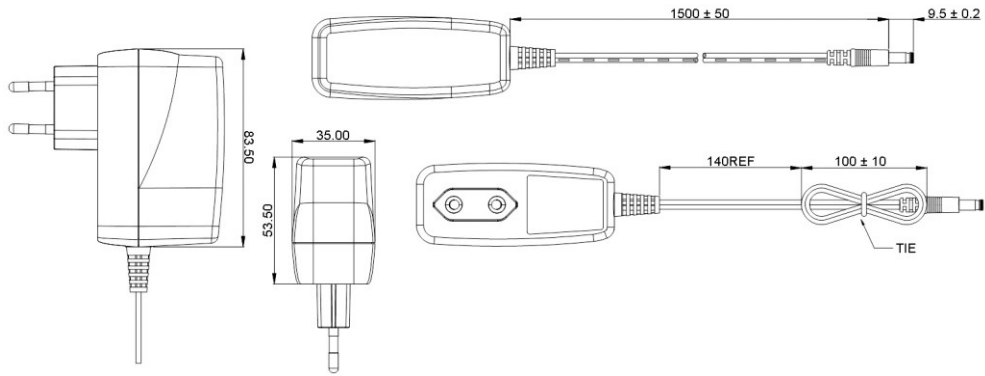
DC Output Connector

2.5mm x 5.5mm x 9.5mm

DC Cord

1.5 meters

Dimension Diagram Unit: mm (inch)



[Type text]