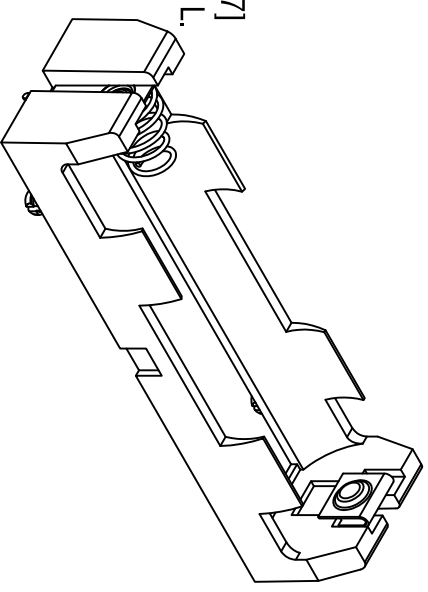
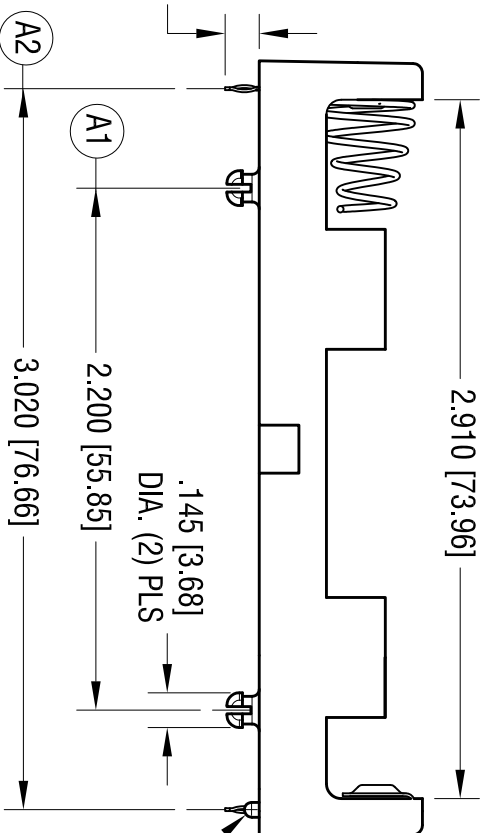
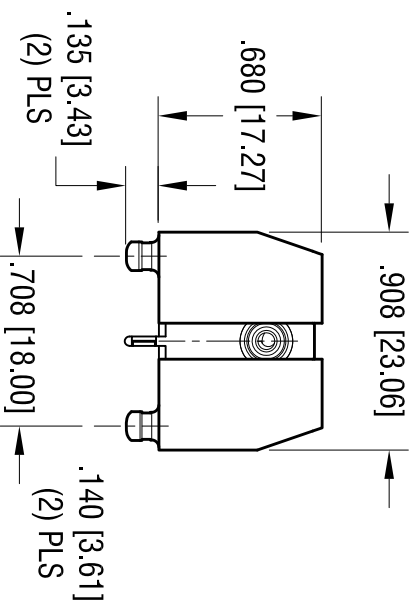
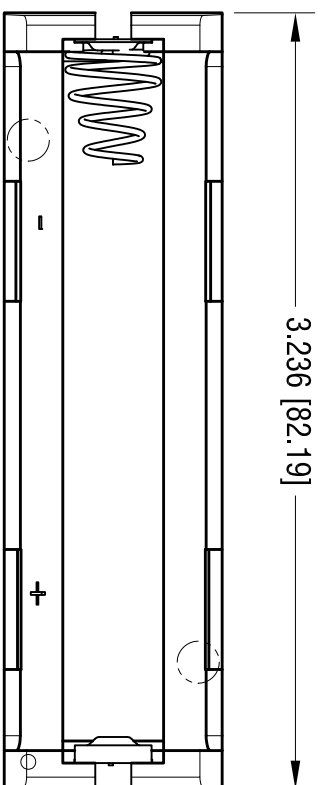
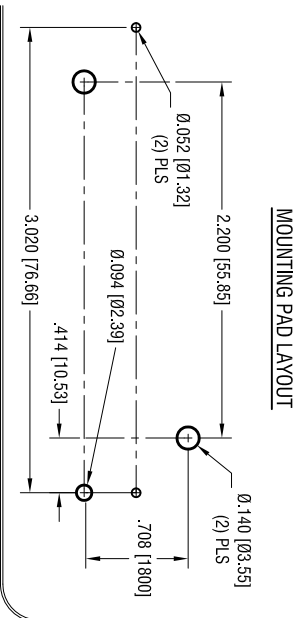


Mounting Pad Layout



DATE	DESCRIPTION	REV.
4.13.20	CHANGE AS PER ECN 20-040	A
	(A1) WAS 2.175 [55.20]	
	(A2) WAS 3.004 [76.30]	

- NOTE:
- BASE:
MATERIAL: HEAT RESISTANT NYLON
STANLYL 46 OR EQUIVALENT
 - CONTACT:
MATERIAL: .012 [0.30] THK STAINLESS STEEL
FINISH: NICKEL PLATE

- SPRING:
MATERIAL: .027 [0.68] DIA. MUSIC WIRE
FINISH: NICKEL PLATE
- SPRING EYELETED TO BASE
- SUPPLIED ON TRAY (50 PCS PER TRAY)

THIS DOCUMENT IS THE PROPERTY OF KEYSTONE ELECTRONICS CORP. AND SHALL NOT BE REPRODUCED, DISTRIBUTED OR USED AS A BASIS FOR MANUFACTURE WITHOUT PRIOR WRITTEN PERMISSION FROM KEYSTONE ELECTRONICS CORP.

KEYSTONE ELECTRONICS CORP.			
www.keyelco.com • NEW HYDE PARK, NY 11040 • Tel (516) 328-7500			
PART NAME THM BATTERY HOLDER FOR 20700 & 21700			
MATERIAL AS NOTED			
FINISH	AS NOTED		
AS NOTED	DRN BY	NT	DATE
	App'D	RH	9.07.18
TOLERANCES	INCH	[MM]	CODE
DECIMAL	± .010	[± .025]	C
ANGULAR	± 1°		
UNLESS OTHERWISE SPECIFIED			DWG NO. 1121