

注記 NOTES

1. 使用材料 MATERIAL

ハウジング : 液晶ポリマー (LCP) UL94V-0 (黒)
HOUSING: LIQUID CRYSTAL POLYMER UL94V-0 (COLOR: BLACK)

ターミナル : リン青銅
TERMINAL : PHOSPHOR BRONZE

補強金具 : リン青銅
FITTING NAIL : PHOSPHOR BRONZE

2. メッキ仕様 PLATING

ターミナル TERMINAL
コンタクト部 : 部分金めっき (0.2µm以上)
CONTACT AREA : SEPARATED GOLD PLATING (0.2 MICROMETER MINIMUM)

テール部 : 部分金めっき
SOLDER TAIL AREA : SEPARATED GOLD PLATING
下地 : ニッケルめっき (1.5µm以上)
UNDERPLATE : NICKEL OVERALL (1.5 MICROMETER MINIMUM)

※コンタクト部とテール部はニッケルメッキによって分断されている金メッキです。
DIVIDE INTO PARTS THE GOLD PLATING OF THE CONTACT AND THE TAIL PART BY THE NICKEL PLATING.

補強金具 FITTING NAIL
テール部 : 錫メッキ (1.0µm以上)
SOLDER TAIL AREA : TIN PLATING (1.0 MICROMETER MINIMUM)
下地 : ニッケルめっき (1.0µm以上)
UNDERPLATE : NICKEL OVERALL (1.0 MICROMETER MINIMUM)

△ (全極数 / 2) = 偶数の場合に適用。
APPLY FOR (CIRCUIT/2) = EVEN.

4. 嵌合相手 : 55909シリーズ (嵌合高さ = 1.8mm) 及び 501745シリーズ (嵌合高さ = 2.3mm)
MATE WITH : 55909 SERIES (HEIGHT = 1.8mm) AND 501745 SERIES (HEIGHT = 2.3mm)

5. テール及び金具の平坦度は、 0.1 以下
TAIL AND FITTING NAIL COPLANARITY TO BE 0.1 MAXIMUM.

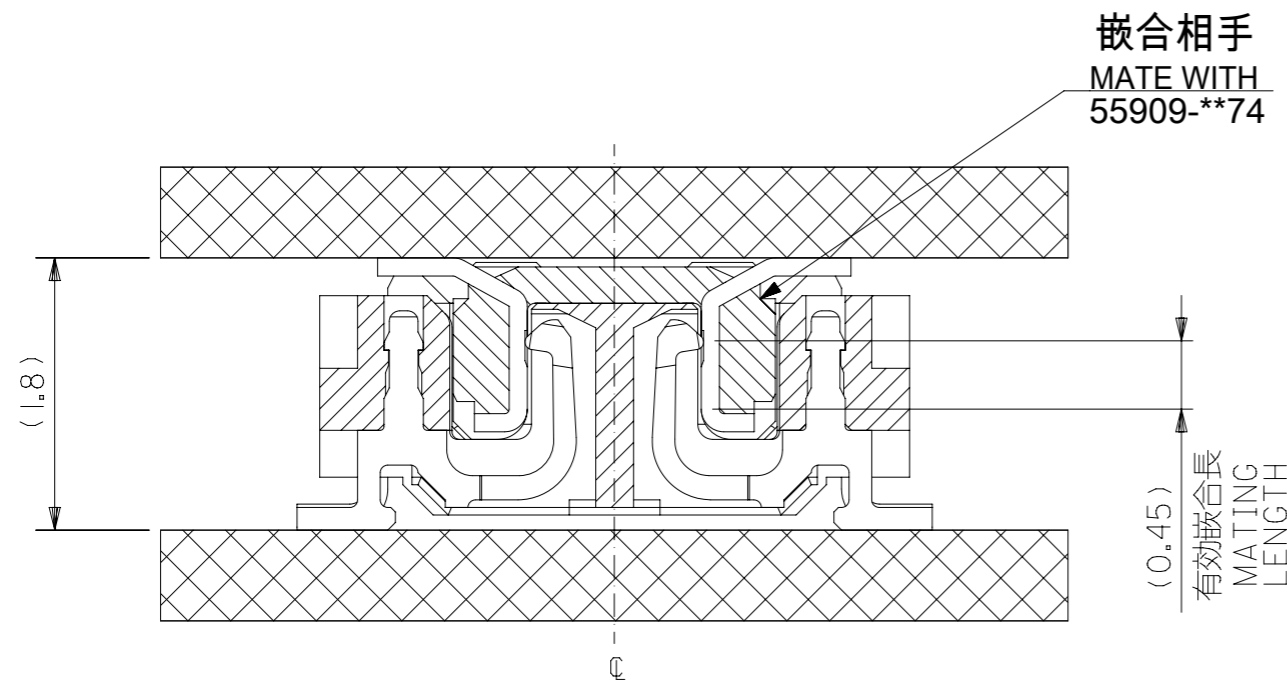
6. ELV & RoSH適合品
ELV and RoSH COMPLIANT

| | | | | |
|------|------|------|-------------|-----|
| 21.5 | 19.6 | 23.1 | 500913-1002 | 100 |
| 19.5 | 17.6 | 21.1 | 500913-0902 | 90 |
| 15.5 | 13.6 | 17.1 | 500913-0702 | 70 |
| 13.5 | 11.6 | 15.1 | 500913-0602 | 60 |
| 11.5 | 9.6 | 13.1 | 500913-0502 | 50 |
| 9.5 | 7.6 | 11.1 | 500913-0402 | 40 |
| 7.5 | 5.6 | 9.1 | 500913-0302 | 30 |
| 6.3 | 4.4 | 7.9 | 500913-0242 | 24 |

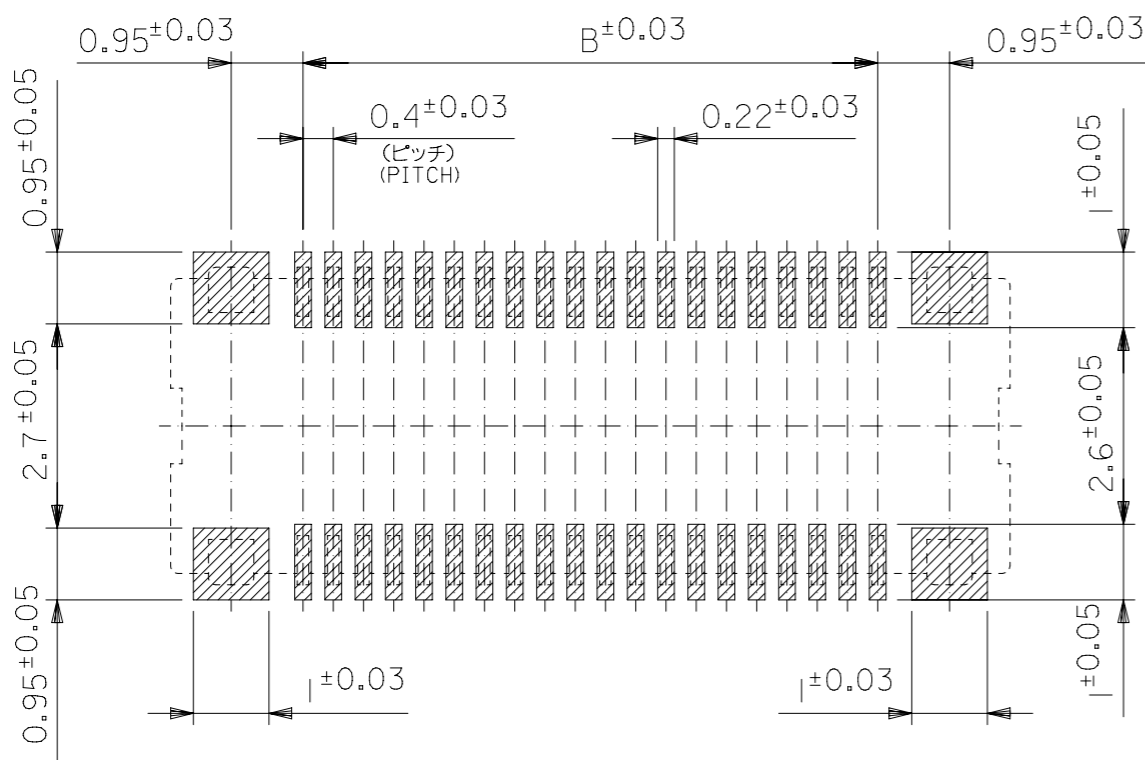
| | | | | |
|------------------------------------|---|---|-----------------------|---------|
| C | B | A | EMBOSSED TAPE PACKAGE | 極数 |
| | | | オーダー番号 ORDER NO. | CIRCUIT |
| CONNECTOR SERIES No. : 500913-***8 | | | | |

| | | | | | |
|---|-------|--------------------------|---------|---|-----------------|
| THIS DRAWING CONTAINS INFORMATION THAT IS PROPRIETARY TO MOLEX ELECTRONIC TECHNOLOGIES, LLC AND SHOULD NOT BE USED WITHOUT WRITTEN PERMISSION | | CURRENT REV DESC: | | molex | |
| DIMENSION UNITS | SCALE | | | | |
| mm | NTS | | | 0.4 B-TO-B CONN. H = 1.8 / 2.3 J-BEND REC. | |
| GENERAL TOLERANCES (UNLESS SPECIFIED) | | EC NO: 638555 | | PRODUCT CUSTOMER DRAWING | |
| ANGULAR TOL | ± ° | DRWN: BKBAE 2020/05/15 | | DOCUMENT NUMBER | |
| 4 PLACES | ± | CHK'D: SHCHU 2020/05/29 | | DOC TYPE | |
| 3 PLACES | ± | APPR: SHCHU 2020/06/01 | | DOC PART | |
| 2 PLACES | ± | INITIAL REVISION: | | REVISION | |
| 1 PLACE | ± | DRWN: RSUMIYA 2004/04/19 | | SD-500913-001 | |
| 0 PLACES | ± | APPR: MSASAO 2004/04/22 | | PSD 001 G | |
| DRAFT WHERE APPLICABLE MUST REMAIN WITHIN DIMENSIONS | | THIRD ANGLE PROJECTION | DRAWING | SERIES | MATERIAL NUMBER |
| | | | A3-SIZE | 500913 | SEE CHART |
| | | | | | CUSTOMER |
| | | | | | GENERAL MARKET |
| | | | | | SHEET NUMBER |
| | | | | | 1 OF 2 |

MATE : 500913 WITH 55909

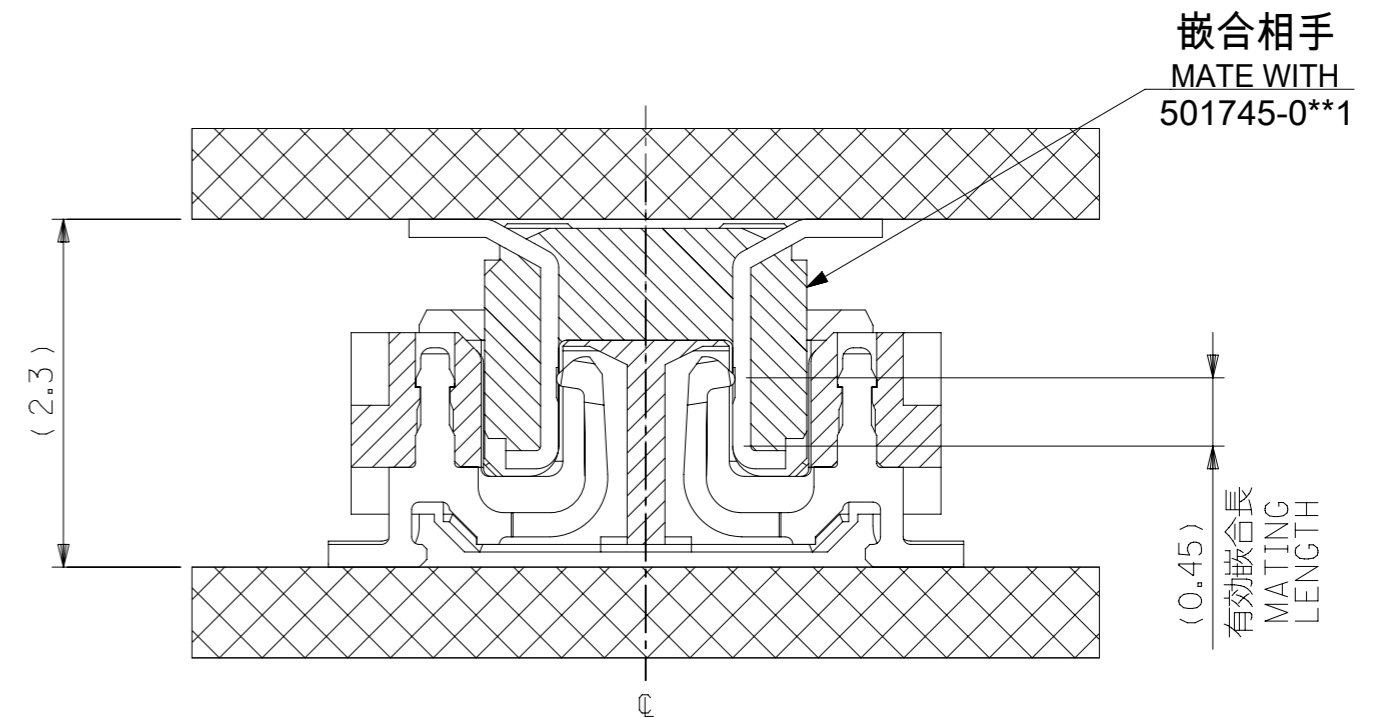


嵌合断面図 (参考)
MATED DRAWING (REFERENCE)



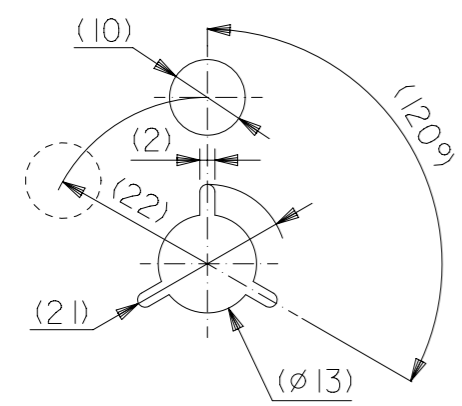
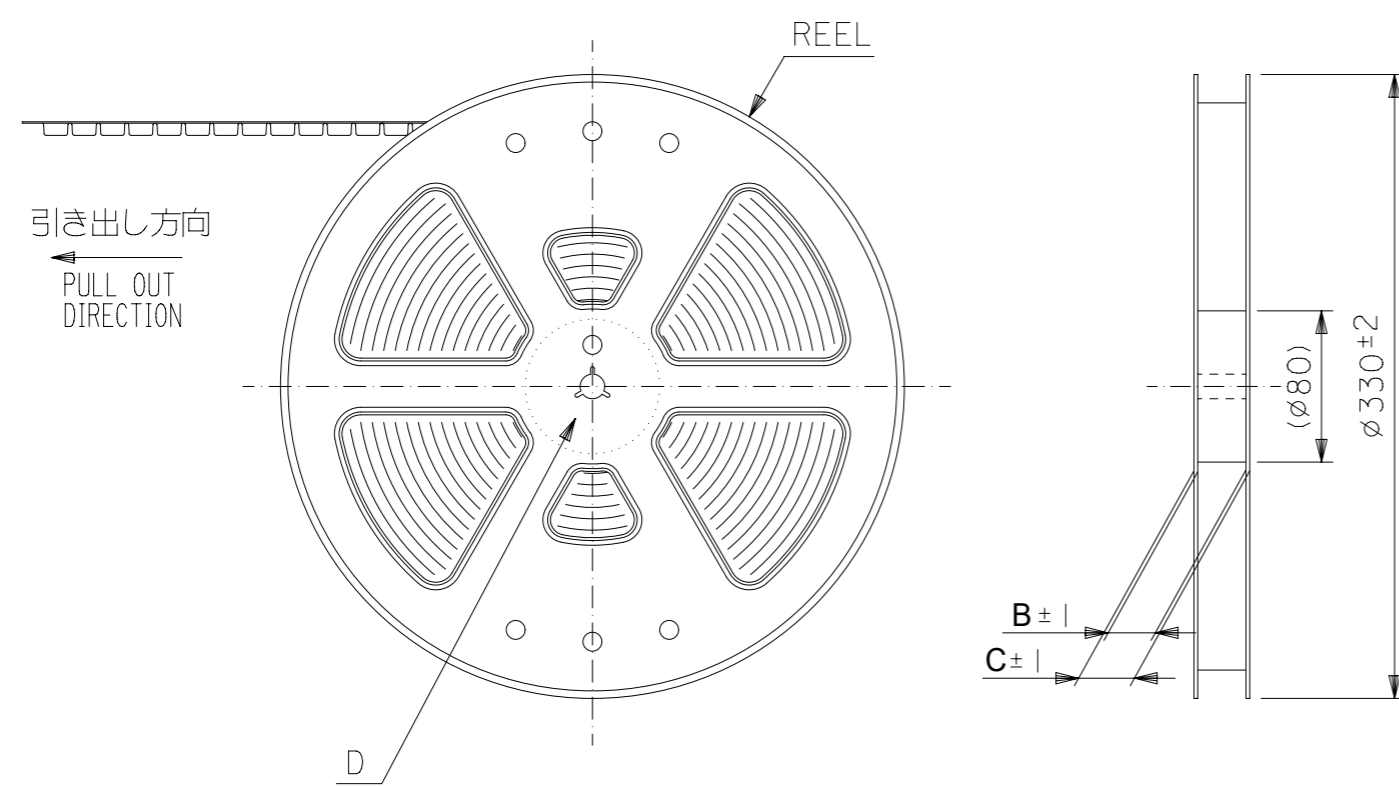
参考基板レイアウト (マウント面)
P.C.BOARD PATTERN DIMENSION. (REFERENCE)
(MOUNTING AREA)

MATE : 500913 WITH 501745



嵌合断面図 (参考)
MATED DRAWING (REFERENCE)

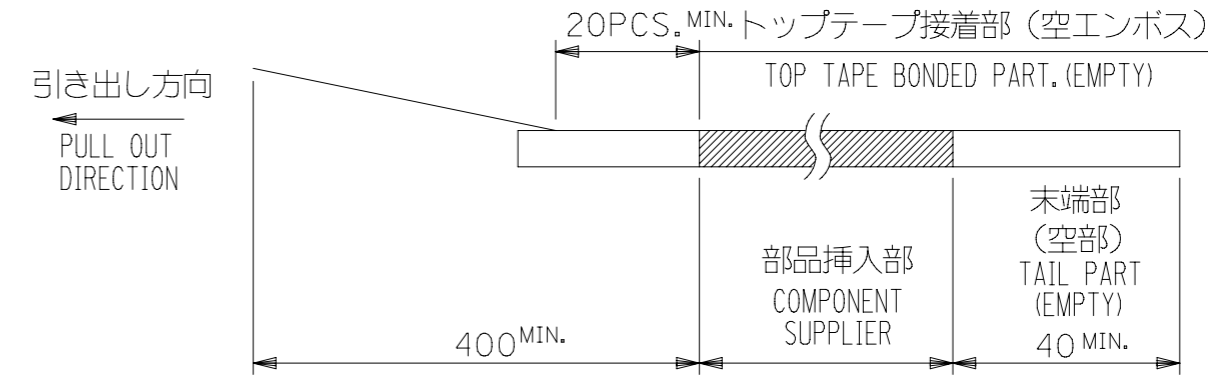
| | | | | | |
|---|-------|------------------------|---------|-----------------|-----------------|
| THIS DRAWING CONTAINS INFORMATION THAT IS PROPRIETARY TO MOLEX ELECTRONIC TECHNOLOGIES, LLC AND SHOULD NOT BE USED WITHOUT WRITTEN PERMISSION | | CURRENT REV DESC: | | molex | |
| DIMENSION UNITS | SCALE | | | | |
| mm | NTS | | | | |
| GENERAL TOLERANCES (UNLESS SPECIFIED) | | EC NO: 638555 | | 2020/05/15 | |
| ANGULAR TOL ± ° | | DRWN: BKBAE | | 2020/05/29 | |
| 4 PLACES ± | | CHK'D: SHCHU | | 2020/06/01 | |
| 3 PLACES ± | | APPR: SHCHU | | | |
| 2 PLACES ± | | INITIAL REVISION: | | DOCUMENT NUMBER | |
| 1 PLACE ± | | DRWN: RSUMIYA | | SD-500913-001 | |
| 0 PLACES ± | | APPR: MSASAO | | PSD 001 G | |
| DRAFT WHERE APPLICABLE MUST REMAIN WITHIN DIMENSIONS | | THIRD ANGLE PROJECTION | DRAWING | SERIES | MATERIAL NUMBER |
| | | | A3-SIZE | 500913 | SEE CHART1 |
| | | | | | CUSTOMER |
| | | | | | GENERAL MARKET |
| | | | | | SHEET NUMBER |
| | | | | | 2 OF 2 |



DETAIL D

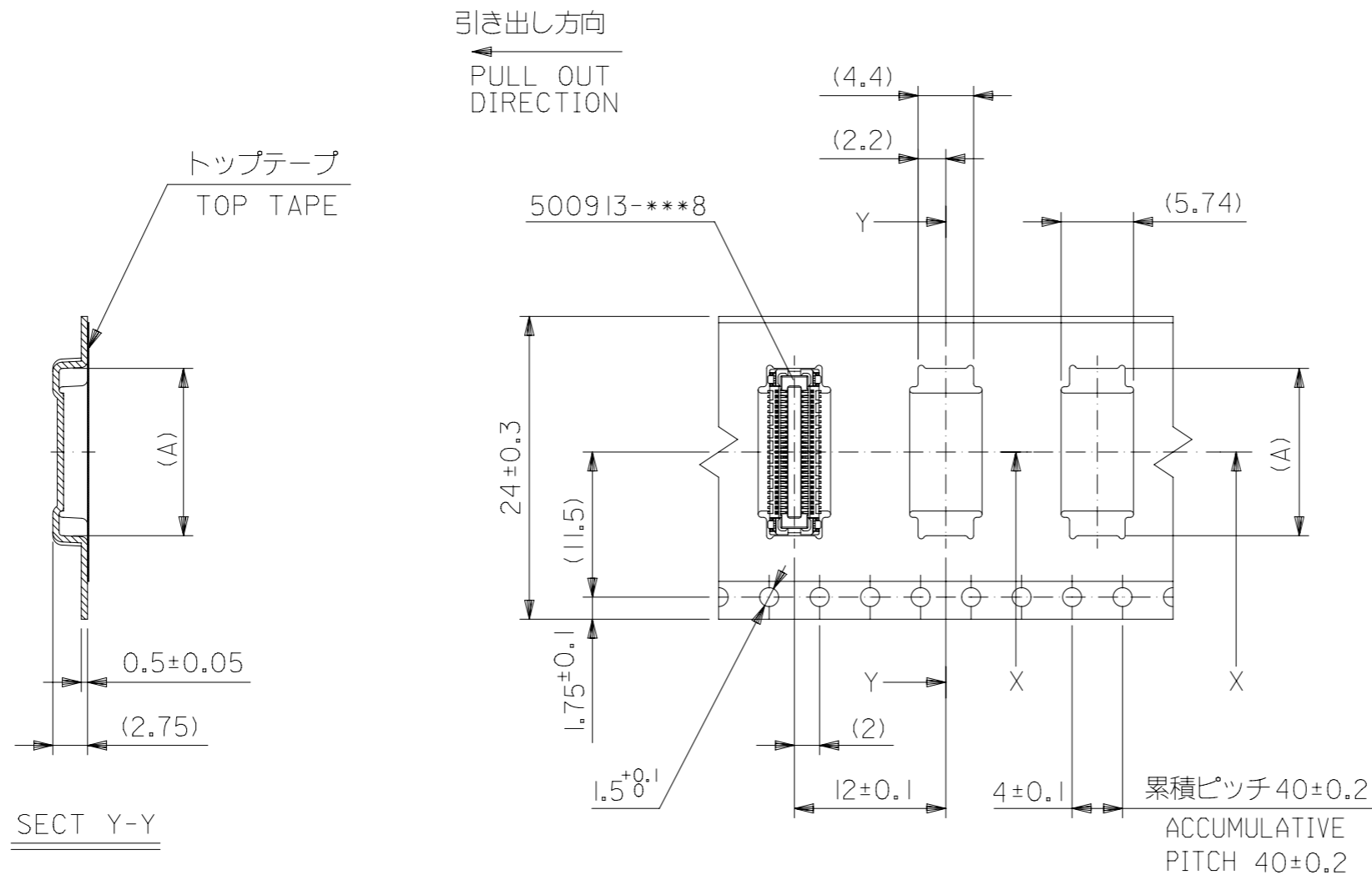
NOTES

- 1. 製品詳細寸法については製品単体図面 SD-500913-001 を参照下さい。
DETAIL DIMENSIONS, SEE PRODUCT DRAWING. NO. SD-500913-001.
- 2. 梱包数量：1500個/リール
NUMBER OF CONNECTORS : 1500PCS/REEL
- 3. リードテープ長さ LEAD TAPE LENGTH
20PCS. MIN. トップテープ接着部 (空エンボス)
TOP TAPE BONDED PART. (EMPTY)



- 4. 材料 MATERIAL
キャリアテープ (CARRIER TAPE) : ポリプロピレン (POLYPROPYLENE)
トップテープ (TOPTAPE) : PET , PE , PEF
リール (REEL) : ポリスチレン (PS) <リサイクル材を含む>
POLYSTYRENE (PS) <RECYCLE MATERIAL CONTAINED>

| | | | | | |
|---|-------|--------------------------|---------|--------------------------|-----------------|
| THIS DRAWING CONTAINS INFORMATION THAT IS PROPRIETARY TO MOLEX ELECTRONIC TECHNOLOGIES, LLC AND SHOULD NOT BE USED WITHOUT WRITTEN PERMISSION | | CURRENT REV DESC: | | molex | |
| DIMENSION UNITS | SCALE | | | | |
| mm | NTS | | | PRODUCT CUSTOMER DRAWING | |
| GENERAL TOLERANCES (UNLESS SPECIFIED) | | EC NO: 638555 | | DOCUMENT NUMBER | |
| ANGULAR TOL | ± ° | DRWN: BKBAE 2020/05/15 | | SD-500913-002 | |
| 4 PLACES | ± | CHK'D: SHCHU 2020/05/29 | | DOC TYPE | DOC PART |
| 3 PLACES | ± | APPR: SHCHU 2020/06/01 | | PSD | 001 |
| 2 PLACES | ± | INITIAL REVISION: | | REVISION | F |
| 1 PLACE | ± | DRWN: RSUMIYA 2004/04/19 | | | |
| 0 PLACES | ± | APPR: MSASAO 2004/04/22 | | | |
| DRAFT WHERE APPLICABLE MUST REMAIN WITHIN DIMENSIONS | | THIRD ANGLE PROJECTION | DRAWING | SERIES | MATERIAL NUMBER |
| | | | A3-SIZE | 500913 | SEE CHART |
| | | | | CUSTOMER | SHEET NUMBER |
| | | | | GENERAL MARKET | 1 OF 4 |

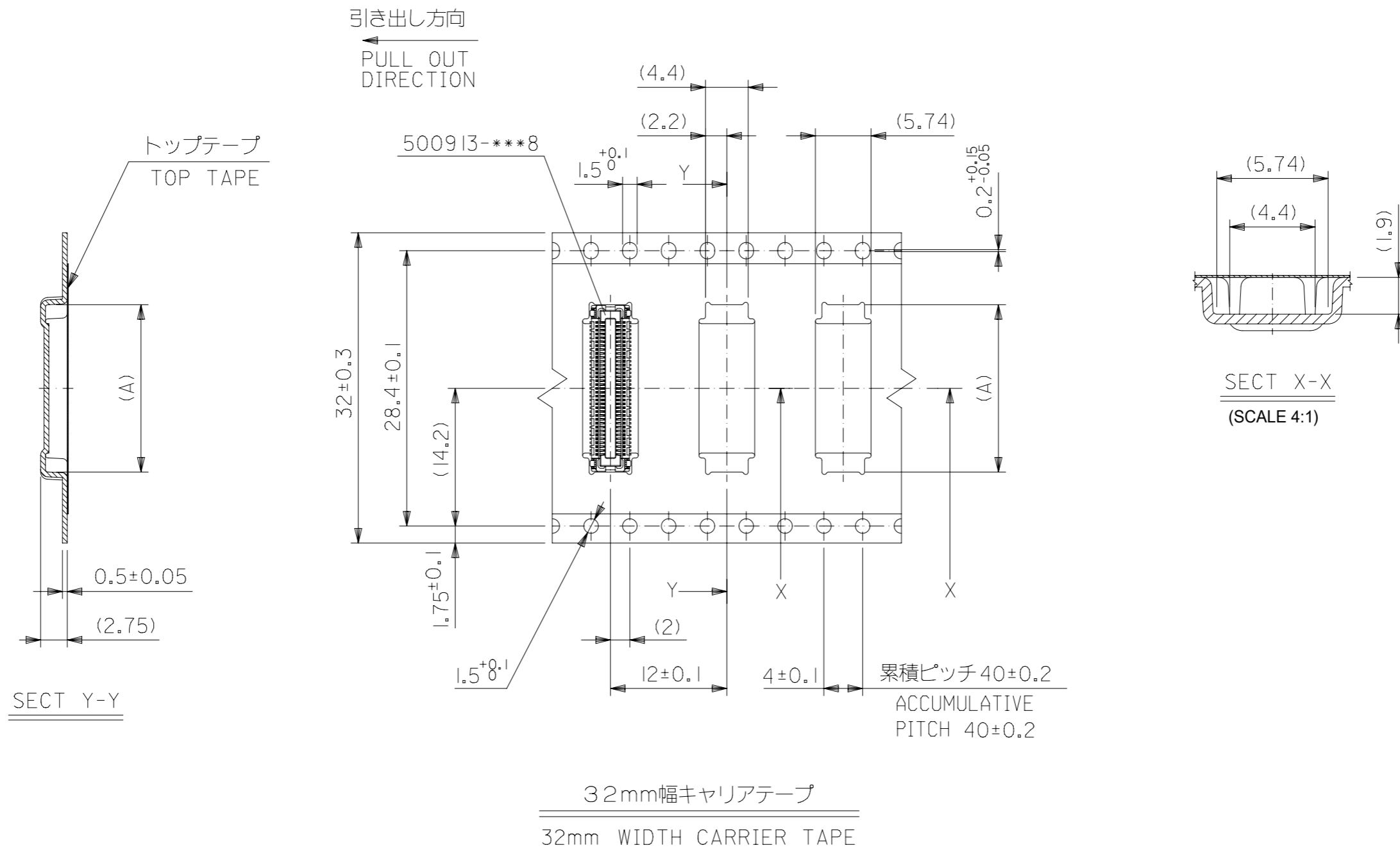


24mm幅キャリアテープ
24mm WIDTH CARRIER TAPE

| | | | | | |
|--------------------------------|------|------|-------|--------------|---------|
| 24 | 29.4 | 25.4 | 15.26 | 500913-0602 | 60 |
| | | | 13.26 | 500913-0502 | 50 |
| | | | 11.26 | 500913-0402 | 40 |
| | | | 9.26 | 500913-0302 | 30 |
| | | | 8.06 | 500913-0242 | 24 |
| キャリアテープ幅 CARRIER TAPE WIDTH | C | B | (A) | MATERIAL NO. | CIRCUIT |

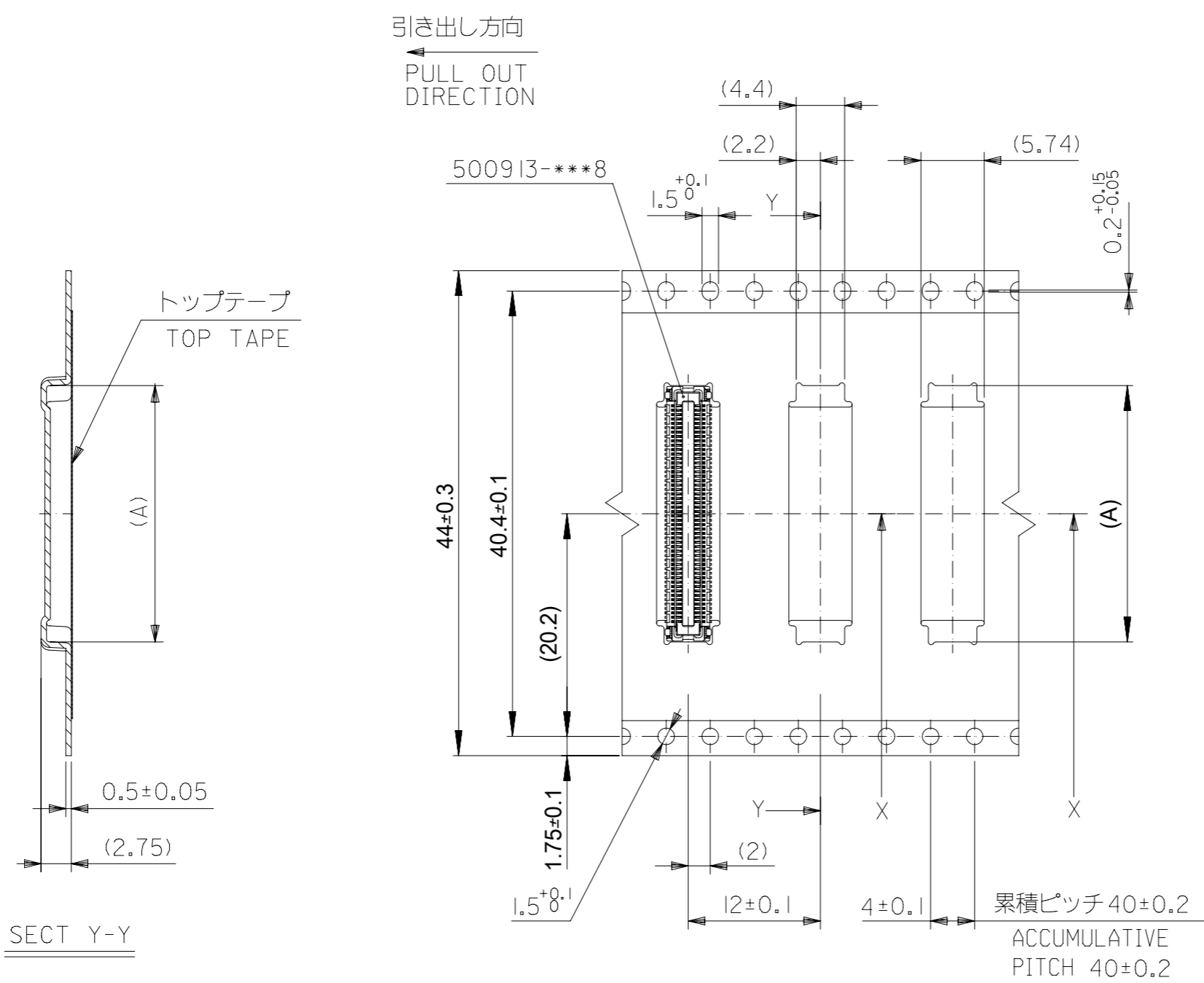
500913-***2 MODEL NO.

| | | | | | |
|---|--------------|--------------------------|---------|----------------------------|--------------|
| THIS DRAWING CONTAINS INFORMATION THAT IS PROPRIETARY TO MOLEX ELECTRONIC TECHNOLOGIES, LLC AND SHOULD NOT BE USED WITHOUT WRITTEN PERMISSION | | CURRENT REV DESC: | | molex | |
| DIMENSION UNITS mm | SCALE NTS | | | | |
| GENERAL TOLERANCES (UNLESS SPECIFIED) | | EC NO: 638555 | | PRODUCT CUSTOMER DRAWING | |
| ANGULAR TOL ± ° | | DRWN: BKBAE 2020/05/15 | | DOCUMENT NUMBER | |
| 4 PLACES ± | | CHK'D: SHCHU 2020/05/29 | | SD-500913-002 | |
| 3 PLACES ± | | APPR: SHCHU 2020/06/01 | | DOC TYPE DOC PART REVISION | |
| 2 PLACES ± | | INITIAL REVISION: | | PSD 001 F | |
| 1 PLACE ± | | DRWN: RSUMIYA 2004/04/19 | | MATERIAL NUMBER | |
| 0 PLACES ± | | APPR: MSASAO 2004/04/22 | | CUSTOMER | |
| DRAFT WHERE APPLICABLE MUST REMAIN WITHIN DIMENSIONS | | THIRD ANGLE PROJECTION | DRAWING | SERIES | SHEET NUMBER |
| | | | A3-SIZE | 500913 | 2 OF 4 |



| | | | | | |
|--------------------------------|------|------|-------|--------------|---------|
| 32 | 41.4 | 37.4 | 21.26 | 500913-0902 | 90 |
| | 37.4 | 33.4 | 17.26 | 500913-0702 | 70 |
| キャリアテープ幅 CARRIER TAPE WIDTH | C | B | (A) | MATERIAL NO. | CIRCUIT |
| 500913-***2 | | | | MODEL NO. | |

| | | | | | |
|---|--------------|---|------------|-----------------|----------|
| THIS DRAWING CONTAINS INFORMATION THAT IS PROPRIETARY TO MOLEX ELECTRONIC TECHNOLOGIES, LLC AND SHOULD NOT BE USED WITHOUT WRITTEN PERMISSION | | | | | |
| DIMENSION UNITS mm | SCALE NTS | CURRENT REV DESC: | | | |
| GENERAL TOLERANCES (UNLESS SPECIFIED) | | molex 0.4 B-TO-B CONN. H = 1.8 / 2.3 J-BEND REC. PRODUCT CUSTOMER DRAWING | | | |
| ANGULAR TOL | ± ° | | | | |
| 4 PLACES | ± | | | | |
| 3 PLACES | ± | | | | |
| 2 PLACES | ± | | | | |
| 1 PLACE | ± | | | | |
| 0 PLACES | ± | EC NO: 638555 | 2020/05/15 | DOCUMENT NUMBER | DOC TYPE |
| DRAFT WHERE APPLICABLE MUST REMAIN WITHIN DIMENSIONS | | DRWN: BKB AE | 2020/05/29 | SD-500913-002 | PSD |
| THIRD ANGLE PROJECTION | | CHK'D: SHCHU | 2020/06/01 | DOC PART | REVISION |
| DRAWING | | APPR: SHCHU | 2020/04/19 | 001 | F |
| SERIES | | INITIAL REVISION: | 2004/04/22 | SHEET NUMBER | |
| A3-SIZE | | DRWN: RSUMIYA | 2004/04/19 | 3 OF 4 | |
| 500913 | | APPR: MSASAO | 2004/04/22 | | |
| MATERIAL NUMBER | | CUSTOMER | | | |
| SEE CHART1 | | GENERAL MARKET | | | |



SECT Y-Y

SECT X-X
(SCALE 4:1)

44 mm幅キャリアテープ
44 mm WIDTH CARRIER TAPE

| | | | | | |
|--------------------------------|------|------|-------|--------------|---------|
| 44 | 49.4 | 45.4 | 23.26 | 500913-1002 | 100 |
| キャリアテープ幅 CARRIER TAPE WIDTH | C | B | (A) | MATERIAL NO. | CIRCUIT |
| 500913-***2 | | | | MODEL NO. | |

| | | | | | |
|---|--------------|---|------------|-----------------|----------|
| THIS DRAWING CONTAINS INFORMATION THAT IS PROPRIETARY TO MOLEX ELECTRONIC TECHNOLOGIES, LLC AND SHOULD NOT BE USED WITHOUT WRITTEN PERMISSION | | | | | |
| DIMENSION UNITS mm | SCALE NTS | CURRENT REV DESC: | | | |
| GENERAL TOLERANCES (UNLESS SPECIFIED) | | <p>molex</p> <p>0.4 B-TO-B CONN. H = 1.8 / 2.3 J-BEND REC.</p> <p>PRODUCT CUSTOMER DRAWING</p> | | | |
| ANGULAR TOL | ± ° | | | | |
| 4 PLACES | ± | | | | |
| 3 PLACES | ± | | | | |
| 2 PLACES | ± | | | | |
| 1 PLACE | ± | | | | |
| 0 PLACES | ± | EC NO: 638555 | 2020/05/15 | DOCUMENT NUMBER | DOC TYPE |
| DRAFT WHERE APPLICABLE MUST REMAIN WITHIN DIMENSIONS | | DRWN: BKB AE | 2020/05/29 | SD-500913-002 | PSD |
| THIRD ANGLE PROJECTION | | CHK'D: SHCHU | 2020/06/01 | DOC PART | REVISION |
| DRAWING | | APPR: SHCHU | 2004/04/19 | 001 | F |
| A3-SIZE | | INITIAL REVISION: | 2004/04/22 | GENERAL MARKET | 4 OF 4 |
| SERIES | | DRWN: RSUMIYA | | | |
| 500913 | | APPR: MSASAO | | | |
| MATERIAL NUMBER | | CUSTOMER | | SHEET NUMBER | |
| SEE CHART1 | | GENERAL MARKET | | 4 OF 4 | |