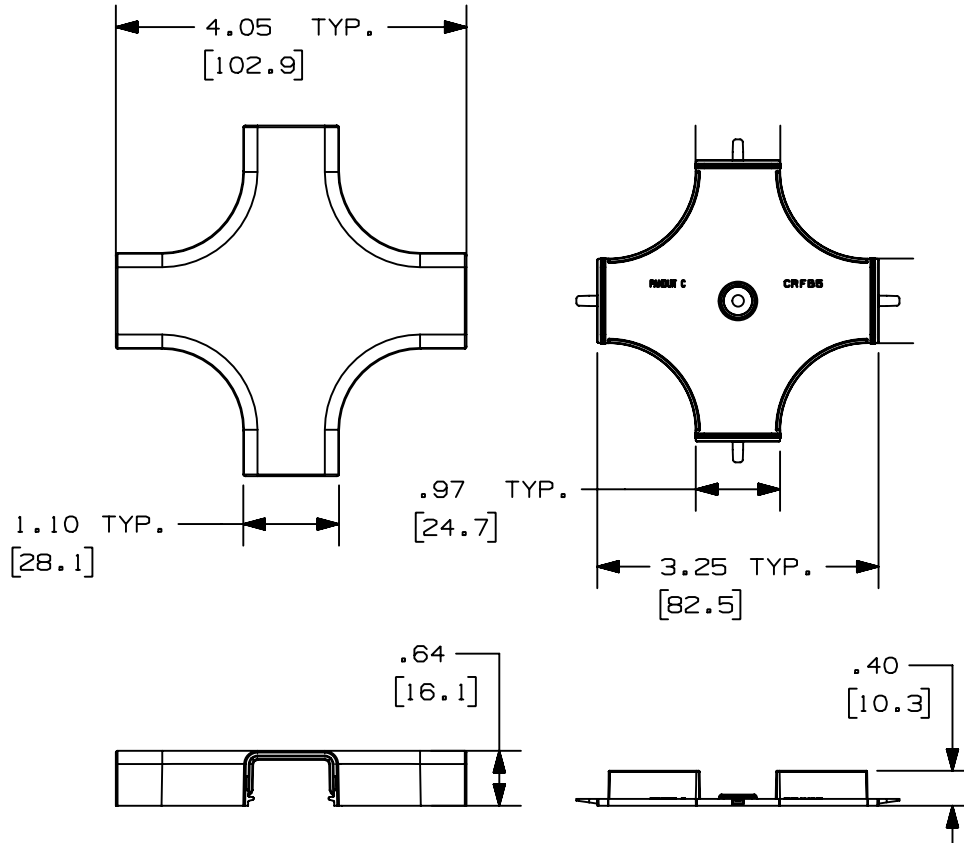
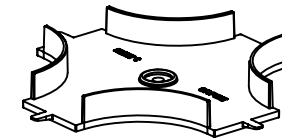
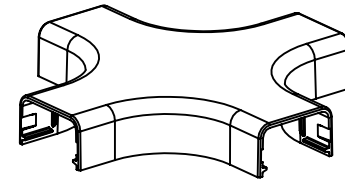


THIS COPY IS PROVIDED ON A RESTRICTED BASIS AND IS NOT TO BE USED IN ANY WAY DETRIMENTAL TO THE INTERESTS OF PANDUIT CORP.



PANDUIT P/N	WEIGHT
CRFX5	.59 LB/ 10PCS. (268g/ 10PCS.)

- NOTES:**
- SEE CURRENT CATALOG FOR ADDITIONAL PART SUFFIXES TO INDICATE COLOR AND OR PACKAGE QUANTITY.
 - DIMENSIONS IN PARENTHESIS ARE IN METRIC.



CAD FILENAME/LAYERS D37523BE_DC_CRFX5_00A.PRT

PANDUIT CORP. TINLEY PARK, ILLINOIS
 POWER LATCHING LDP5
 CROSS (CRFX5)
 CUSTOMER DRAWING

UNLESS OTHERWISE SPECIFIED,
 DIMENSIONAL TOLERANCES ARE:
 (.X) ± (.XXX) ±
 (.XX) ±.03 (.8) ANGLES ±

UNLESS OTHERWISE SPECIFIED,
 ALL DIMENSIONS ARE GIVEN
 IN INCHES, THIRD ANGLE PROJECTION.

DRAWN BY JHNU	MAT'L; ABS	SCALE NONE
DATE 09-28-00		DRAWING NO. 37523-05
CHK'D PM		DWG A SIZE

R	09-28-00	JHNU	PM	RELEASED TO PRODUCTION	37523-05	HIW	HIW	
REV	DATE	BY	CHK	DESCRIPTION	ECN - R	CUST	SUP	