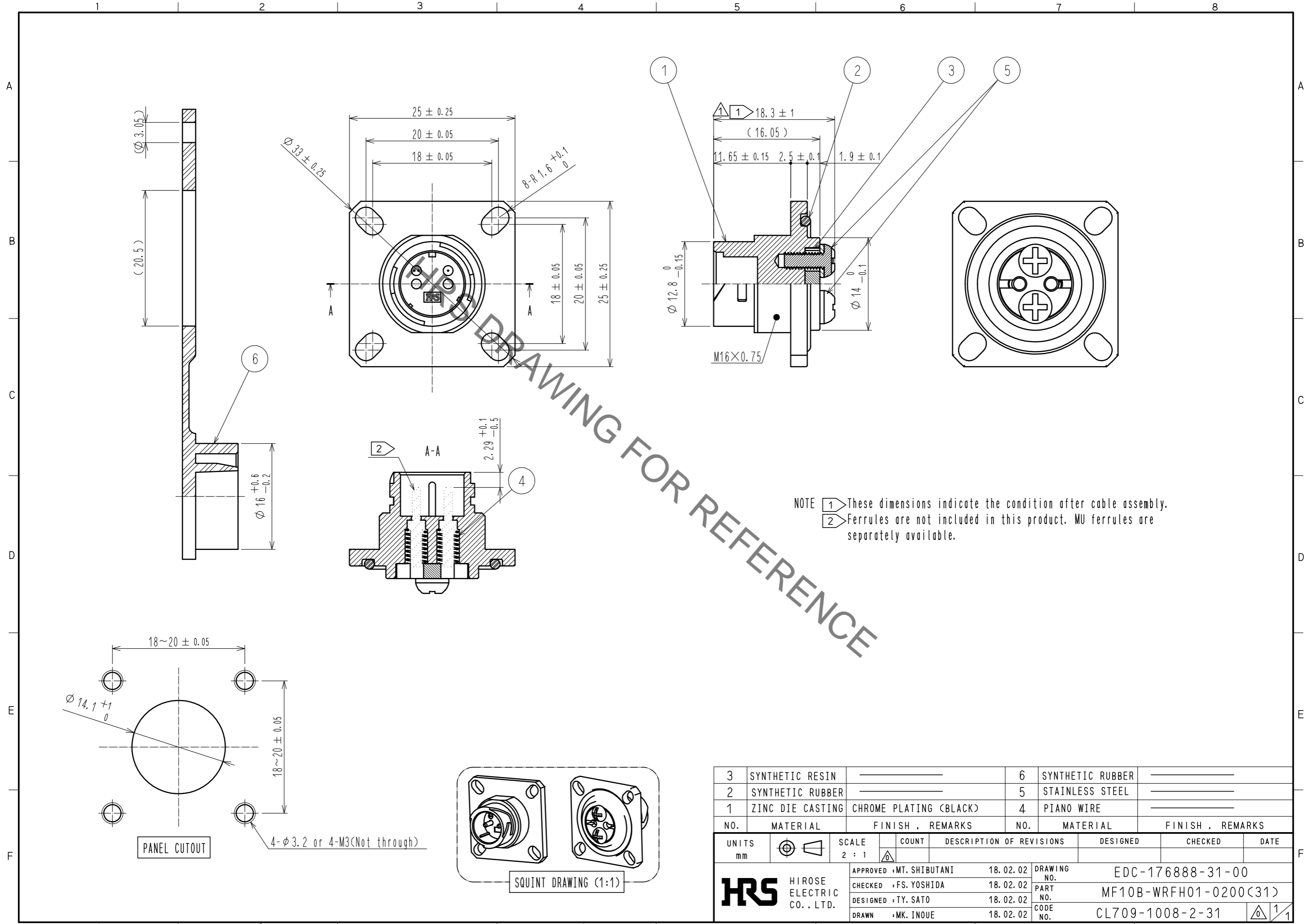
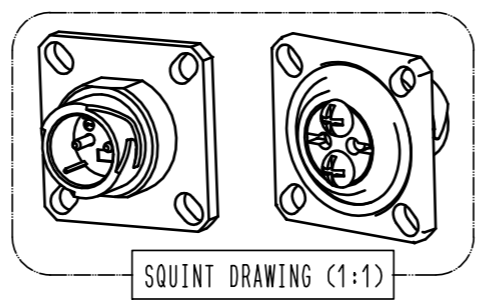


Sep.1.2022 Copyright 2022 HIROSE ELECTRIC CO., LTD. All Rights Reserved.  
 In case of consideration for using Automotive equipment / device which demand high reliability, kindly contact our sales window correspondents.



NOTE 1 These dimensions indicate the condition after cable assembly.  
 2 Ferrules are not included in this product. MU ferrules are separately available.



3	SYNTHETIC RESIN		6	SYNTHETIC RUBBER	
2	SYNTHETIC RUBBER		5	STAINLESS STEEL	
1	ZINC DIE CASTING	CHROME PLATING (BLACK)	4	PIANO WIRE	
NO.	MATERIAL	FINISH . REMARKS	NO.	MATERIAL	FINISH . REMARKS
UNITS	mm	SCALE	2 : 1	COUNT	DESCRIPTION OF REVISIONS
		DESIGNED	MT. SHIBUTANI	18.02.02	APPROVED
		CHECKED	FS. YOSHIDA	18.02.02	CHECKED
		DESIGNED	TY. SATO	18.02.02	DATE
		DRAWN	MK. INOUE	18.02.02	
DRAWING NO.			EDC-176888-31-00		
PART NO.			MF10B-WRFH01-0200(31)		
CODE NO.			CL709-1008-2-31		
			1/1		