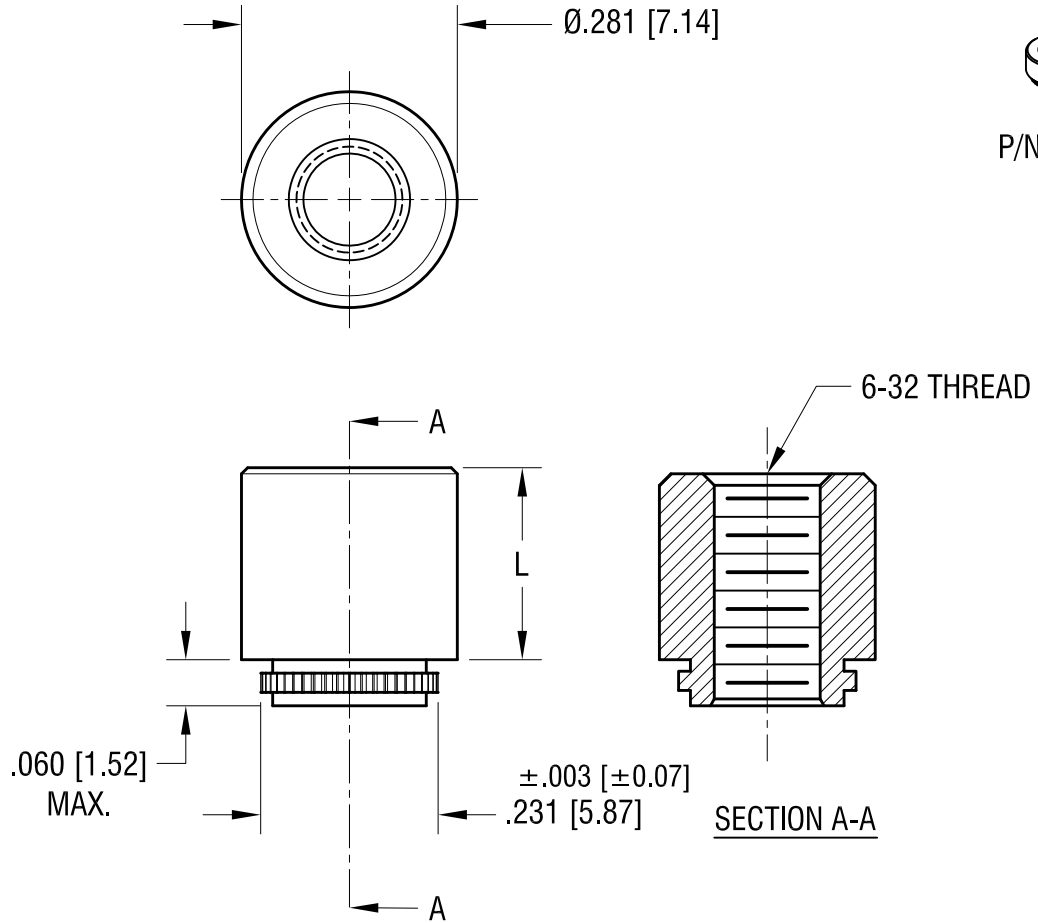


THIS DOCUMENT IS THE PROPERTY OF
KEYSTONE ELECTRONICS CORP. AND
SHALL NOT BE REPRODUCED, DISTRIBUTED
OR USED AS A BASIS FOR MANUFACTURE
WITHOUT PRIOR WRITTEN PERMISSION
FROM KEYSTONE ELECTRONICS CORP.

ACTUAL SIZE



P/N 4867



PART NO.	'L' DIM.
4866	.065 [1.65]
4867	.125 [3.18]
4868	.250 [6.35]
4869	.375 [9.53]

KEYSTONE ELECTRONICS CORP.
www.keyelco.com • NEW HYDE PARK NY 11040 • Tel (516)328-7500

PART NAME
FORCE-FIT STANDOFF, THREADED

MATERIAL
STAINLESS STEEL

FINISH NONE	DRN BY BOONE	DATE 10.10.96
	APP'D LN	SCALE 4X

TOLERANCES INCH [MM] DECIMAL ± .005 [± 0.13]	CODE C	DWG NO. 4866 - 4869
ANGULAR ± 1° UNLESS OTHERWISE SPECIFIED		

11.22.21	CHANGE AS PER ECN21-148	B
12.19.05	CHANGE AS PER ECN 05-086	A
DATE	DESCRIPTION	REV.