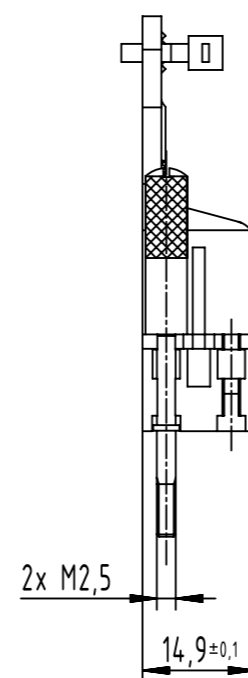
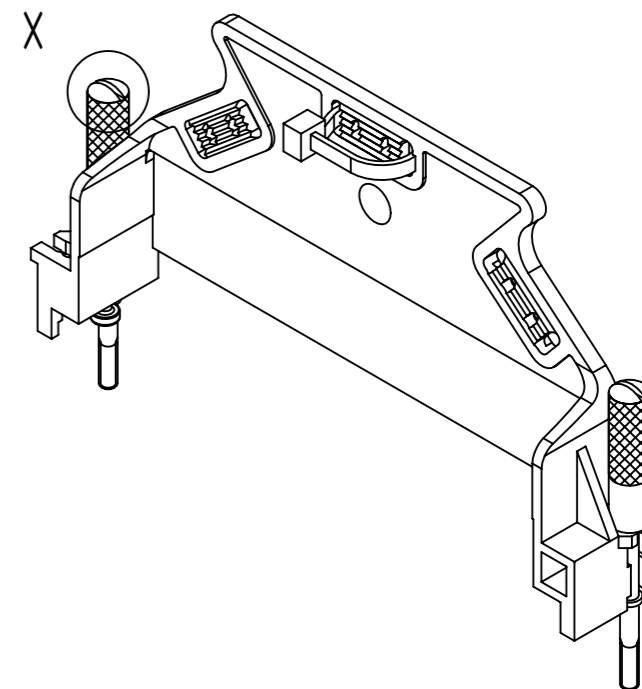
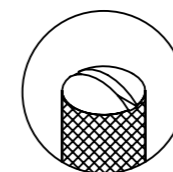



X (2:1)



content open hood			spare parts
pos.	number	description	part no.
01	1	open hood G	09 06 000 9959
02	2	locking screw with slot M2.5	09 06 000 9958
03	2	self-tapping screw M2.2x8-T6	09 06 001 9979
04	1	cable tie	

parts not assembled

 All rights reserved Department EL PD HARTING D-32339 Espelkamp	All Dimensions in mm Original Size DIN A3	Scale 1:1	Free size tol.	Ref. Sub.
	Created by STORCK	Inspected by LEHNERT	Standardisation SAP_WFRT	Date 2022-01-25
Title DIN Power open hood G - locking screw with slot				Doc-Key / ECM-Nr. 100180542/UGD/004/B 500000209861
Type TB		Number 09060009957		Rev. B
				Page 1/1