

| PART NO.   | ENGINEERING NO. | FINISHED LENGTH    |
|------------|-----------------|--------------------|
| 1300120289 | 332121A04M010   | 1M (3 FT, 3 IN)    |
| 1300120297 | 332121A04M050   | 5M (16 FT, 5 IN)   |
| 1300120301 | 332121A04M100   | 10M (32 FT, 10 IN) |

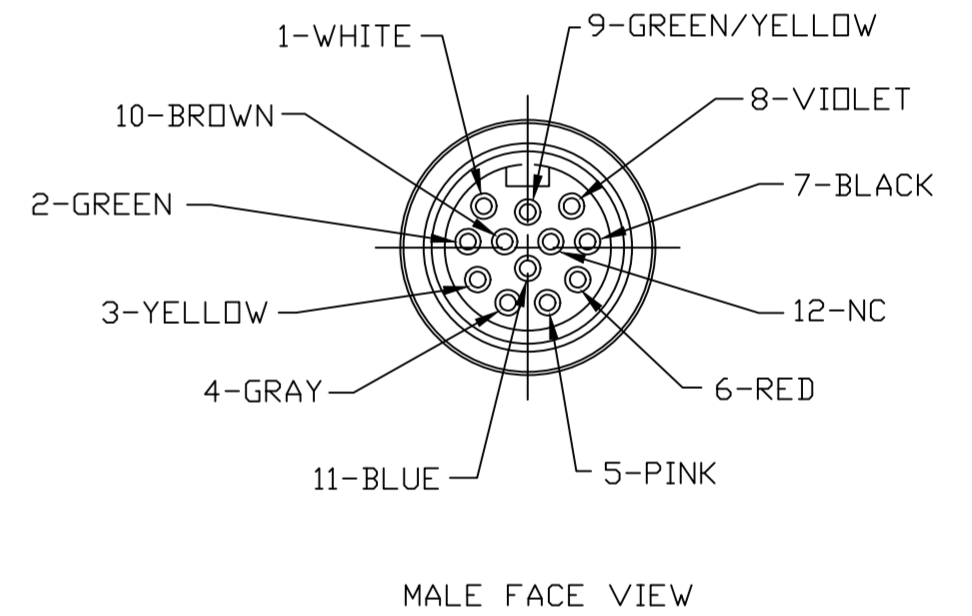
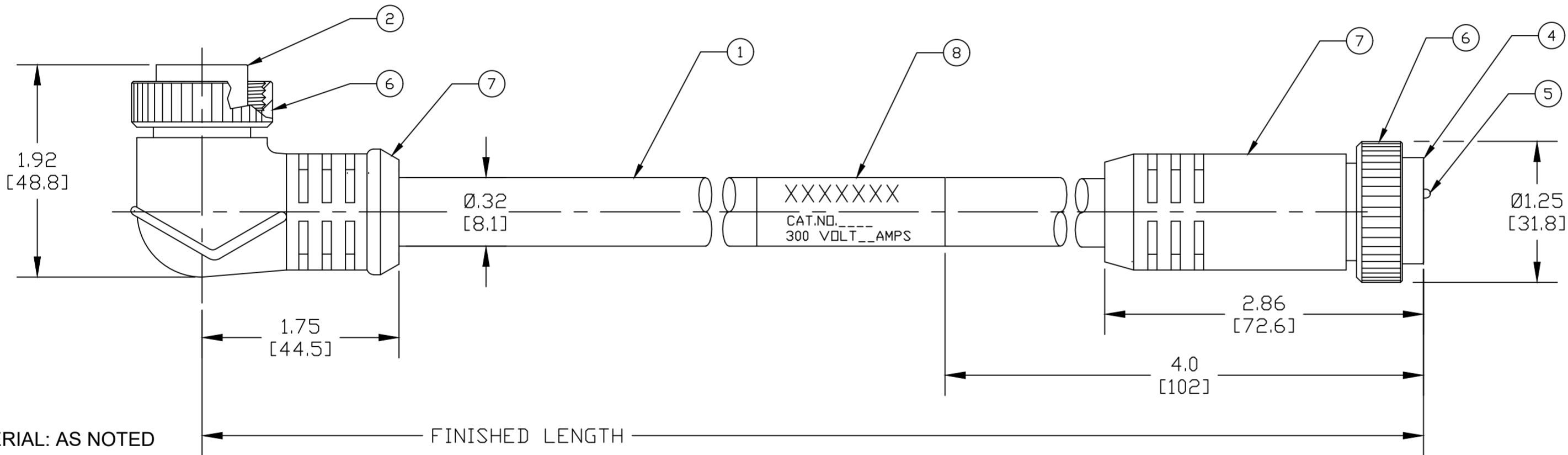
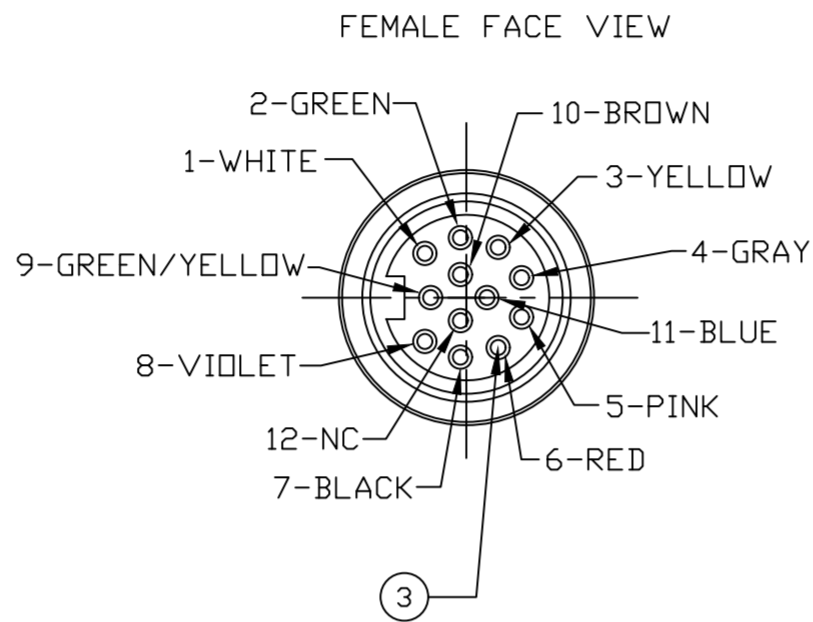
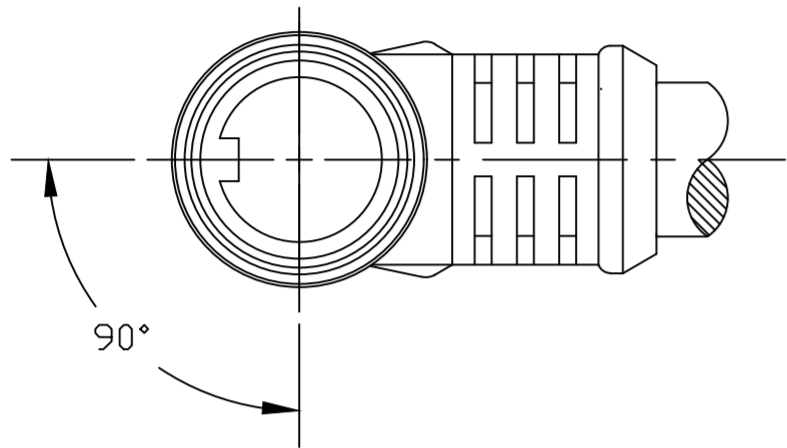
### PART NUMBER LEGEND

332121A04M010

FINISHED LENGTH:

M005= 0.5 METER  
M010= 1.0 METER  
M100= 10.0 METER

| CABLE LENGTH TOLERANCES  |                         |
|--------------------------|-------------------------|
| >.3M [1FT]:              | +19mm-0 [+1.75in-0]     |
| .3 - .9M [1 - 3FT]:      | +44.5mm-0 [+1.75in-0]   |
| .9 - 1.8M [3 - 6FT]:     | +55.6mm-0 [+2.19in-0]   |
| 1.8 - 3.7M [6 - 12FT]:   | +88.9mm-0 [+3.50in-0]   |
| 3.7 - 7.3M [12 - 24FT]:  | +165.1mm-0 [+6.50in-0]  |
| 7.3-14.6M [24 - 48FT]:   | +317.5mm-0 [+12.50in-0] |
| 14.6 - 30.5M [48-100FT]: | +622.3mm-0 [+24.50in-0] |
| OVER 30M [100FT]:        | +2% OF FINISHED LENGTH  |



- NOTES:
- MATERIAL: AS NOTED
  - FINISH: AS NOTED
  - ELECTRICAL:  
VOLTAGE: 300V  
CURRENT: 2.5A
  - TEMP RATING: -25°C TO +90°C
  - PROTECTION: IP67 (WHEN MATED)
  - COUPLING THREAD: 1 1/8-16 UN
  - CSA CERTIFIED FILE: LR6837
  - ALL DIMS ARE FOR REFERENCE UNLESS TOLERANCED OR NOTED OTHERWISE

| ITEM | DESCRIPTION             | MATERIAL      | FINISH        |
|------|-------------------------|---------------|---------------|
| 8    | WRAP LABEL              | VINYL         | BLACK/YELLOW  |
| 7    | OVERMOLD                | TPE           | YELLOW        |
| 6    | COUPLING NUT, INT. THD  | ZINC DIE-CAST | NICKEL PLATED |
| 5    | CONTACT PIN             | COPPER ALLOY  | GOLD PLATED   |
| 4    | MALE INSERT             | TPE           | YELLOW        |
| 3    | CONTACT SOCKET          | COPPER ALLOY  | GOLD PLATED   |
| 2    | FEMALE INSERT           | TPE           | YELLOW        |
| 1    | CABLE, 11C, 18 & 22 AWG | PUR JACKET    | BLACK         |

| <p>THIS DRAWING CONTAINS INFORMATION THAT IS PROPRIETARY TO MOLEX ELECTRONIC TECHNOLOGIES, LLC AND SHOULD NOT BE USED WITHOUT WRITTEN PERMISSION</p> |   |       |    |      |          |       |       |          |       |       |          |       |       |         |       |       |          |       |       |  |  |
|--|---|-------|----|------|----------|-------|-------|----------|-------|-------|----------|-------|-------|---------|-------|-------|----------|-------|-------|--|--|
| <p><b>SYMBOLS</b></p> <p>▽ = 0<br/> ▽ = 0<br/> ▽ = 0<br/> ▽ = 0<br/> ▽ = 0<br/> ▽ = 0<br/> ▽ = 0<br/> ▽ = 0<br/> ▽ = 0</p>                           | <p>DIMENSION UNITS: INCH/MM</p> <p>SCALE: 1:1</p> <p>GENERAL TOLERANCES (UNLESS SPECIFIED)</p> <table border="1"> <thead> <tr> <th></th> <th>mm</th> <th>INCH</th> </tr> </thead> <tbody> <tr> <td>4 PLACES</td> <td>±----</td> <td>±----</td> </tr> <tr> <td>3 PLACES</td> <td>±----</td> <td>±----</td> </tr> <tr> <td>2 PLACES</td> <td>±----</td> <td>±----</td> </tr> <tr> <td>1 PLACE</td> <td>±----</td> <td>±----</td> </tr> <tr> <td>0 PLACES</td> <td>±----</td> <td>±----</td> </tr> </tbody> </table> <p>ANGULAR TOL ± ---- °</p> <p>DRAFT WHERE APPLICABLE MUST REMAIN WITHIN DIMENSIONS</p> |       | mm | INCH | 4 PLACES | ±---- | ±---- | 3 PLACES | ±---- | ±---- | 2 PLACES | ±---- | ±---- | 1 PLACE | ±---- | ±---- | 0 PLACES | ±---- | ±---- | <p>CURRENT REV DESC: RELEASED</p> <p>EC NO: 628049</p> <p>DRWN: RSTONE 2019/11/20</p> <p>CHK'D: MZIELINSKI 2019/11/25</p> <p>APPR: BWOODMAN 2019/11/27</p> <p>INITIAL REVISION:</p> <p>DRWN: RSTONE 2019/11/20</p> <p>APPR: BWOODMAN 2019/11/26</p> <p>THIRD ANGLE PROJECTION</p> <p>DRAWING: C-SIZE</p> <p>SERIES: 130012</p> | <p><b>molex</b></p> <p>MINI-CHANGE CABLE ASSEMBLY</p> <p>12 POLE, MALE, STRAIGHT TO FEMALE 90 DEG</p> <p>PRODUCT CUSTOMER DRAWING</p> <p>DOCUMENT NUMBER: 1300120288</p> <p>DOC TYPE: PSD</p> <p>DOC PART: 000</p> <p>REVISION: A</p> <p>MATERIAL NUMBER: GENERAL MARKET</p> <p>CUSTOMER: GENERAL MARKET</p> <p>SHEET NUMBER: 1 OF 1</p> |
|  | mm  | INCH  |    |      |          |       |       |          |       |       |          |       |       |         |       |       |          |       |       |  |  |
| 4 PLACES   | ±----   | ±---- |    |      |          |       |       |          |       |       |          |       |       |         |       |       |          |       |       |  |  |
| 3 PLACES   | ±----   | ±---- |    |      |          |       |       |          |       |       |          |       |       |         |       |       |          |       |       |  |  |
| 2 PLACES   | ±----   | ±---- |    |      |          |       |       |          |       |       |          |       |       |         |       |       |          |       |       |  |  |
| 1 PLACE  | ±----   | ±---- |    |      |          |       |       |          |       |       |          |       |       |         |       |       |          |       |       |  |  |
| 0 PLACES   | ±----   | ±---- |    |      |          |       |       |          |       |       |          |       |       |         |       |       |          |       |       |  |  |