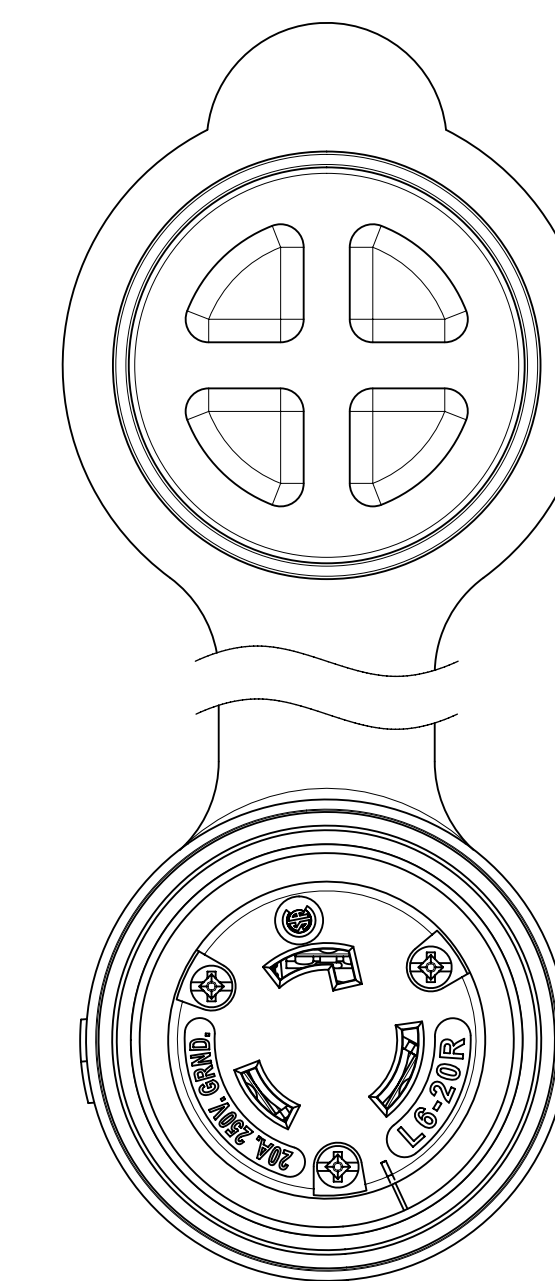
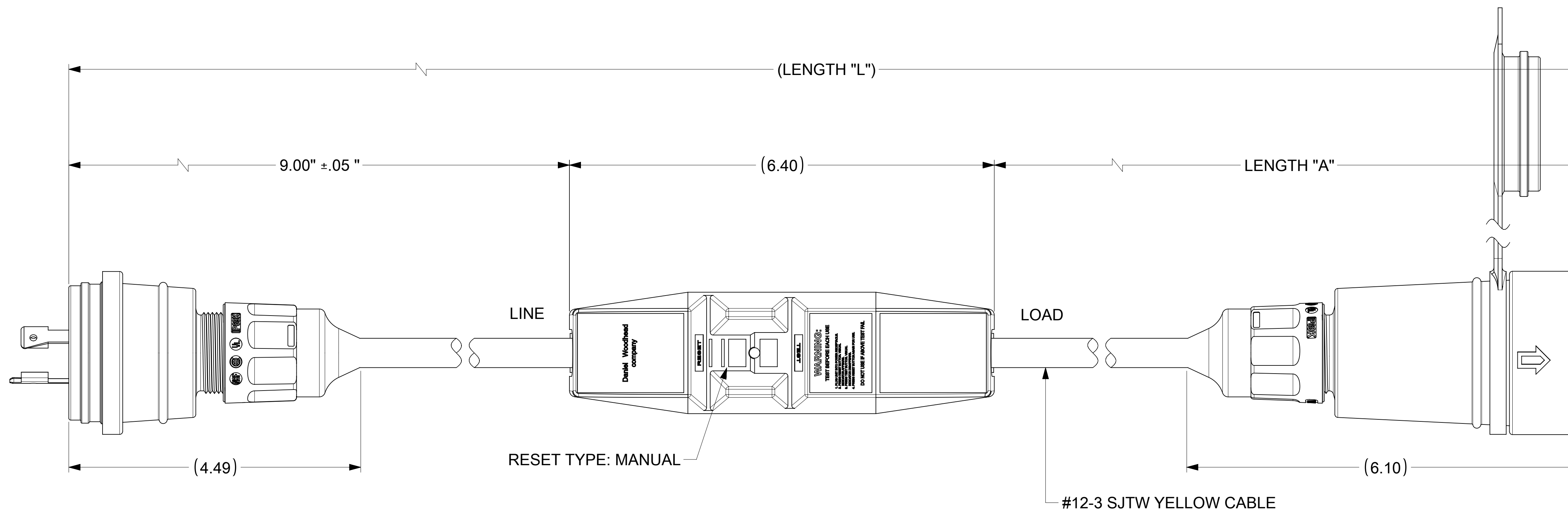
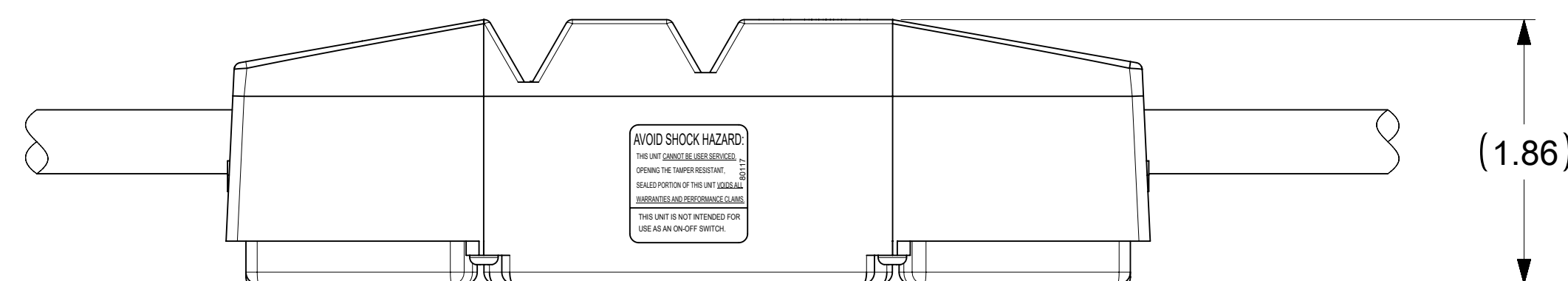


SHOWN AS 26W48



SHOWN AS 27W48



INLINE GFCI

**TECHNICAL**

AGENCY APPROVAL:	cULus
RATED SUPPLY VOLTAGE:	240VAC
RATED CURRENT:	UP TO 20 AMPS
RESET TYPE:	MANUAL
OPERATING FREQUENCY:	60 Hz
TYPE:	CLASS A
GROUND TRIP CURRENT:	4-6 mA
OVERLOAD CURRENT:	120 AMP
INSULATION VOLTAGE:	1,500 VRMS - 1 MINUTE
ENDURANCE OPERATIONS:	3000 OPERATIONS
ENCLOSURE:	NEMA 3R

MATERIAL NO.	PART NO.	LENGTH "A"	LENGTH "L"	INPUT PLUG	OUTPUT CONNECTOR	INLINE GFCI P/N
1301530149	20055-1	10.8 IN. ± 0.5"	2 FT. 2.2 IN. ± 1"	26W48	27W48	30-0905
1301530151	20055-6	5.0 FT. ± 1.0"	6 FT. 3.4 IN. ± 1.5"	26W48	27W48	30-0906
1301530150	20055-25	24.0 FT. +2.0"/-0.0"	25 FT. 3.4 IN. +2.5"/-0.5"	26W48	27W48	30-0907

FUNCTIONAL SYMBOLS FA = 0 FC = 0 FD = 0	THIS DRAWING CONTAINS INFORMATION THAT IS PROPRIETARY TO MOLEX ELECTRONIC TECHNOLOGIES, LLC AND SHOULD NOT BE USED WITHOUT WRITTEN PERMISSION		CURRENT REV DESC: NEW SALES DRAWING CREATED		<b>molex</b>	
	DIMENSION UNITS <b>INCH</b>	SCALE <b>NTS</b>				
DIVISIONAL SYMBOLS	GENERAL TOLERANCES (UNLESS SPECIFIED)		EC NO: 688699		INLINE GFCI 20A, 240V ATTACHABLE W/PLUG & CONN. WATERTITE	
	ANGULAR TOL ± °		DRWN: PPURSUTANDEL 2021/12/13			
4 PLACES ±		CHK'D: DNGUYEN62 2022/01/19		PRODUCT CUSTOMER DRAWING		
3 PLACES ±		APPR: HKNEELAND 2022/01/20		DOCUMENT NUMBER		
2 PLACES ±		INITIAL REVISION:		DOC TYPE		
1 PLACE ±		DRWN: PPURSUTANDEL 2021/12/13		DOC PART		
0 PLACES ±		APPR: HKNEELAND 2022/01/20		REVISION		
DRAFT WHERE APPLICABLE MUST REMAIN WITHIN DIMENSIONS		THIRD ANGLE PROJECTION	DRAWING	SERIES	MATERIAL NUMBER	CUSTOMER
			<b>D-SIZE</b>	<b>130153</b>	<b>1301530149</b>	<b>PSD 000 A</b>
					SEE TABLE	GENERAL MARKET
						SHEET NUMBER
						<b>1 OF 1</b>