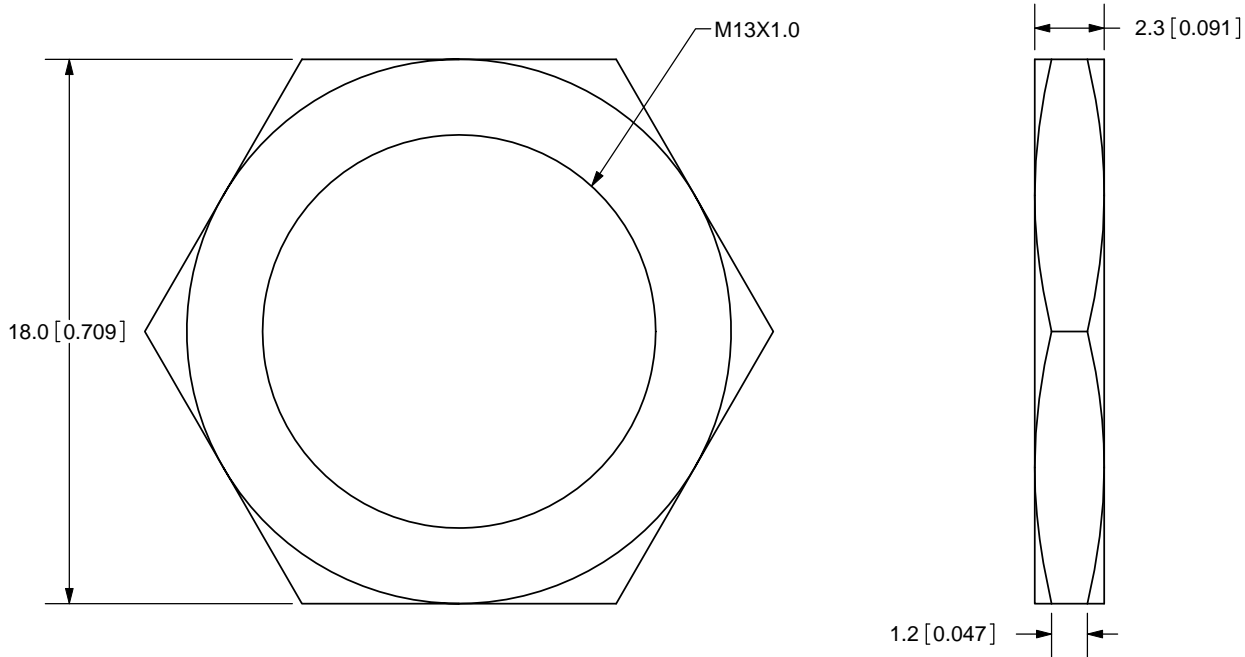


| REV. | DESCRIPTION | DATE       |
|------|-------------|------------|
| A    | NEW DRAWING | 11/11/2009 |



TOLERANCE:  
±0.1mm UNLESS OTHERWISE  
SPECIFIED



**CUI INC**

20050 SW 112th Ave.  
Tualatin, OR 97062  
Phone: 503-612-2300  
800-275-4899  
Fax: 503-612-2383  
Website: www.cui.com

|                      |              |                    |
|----------------------|--------------|--------------------|
| TITLE: M13X1.0 NUT   |              | REV: A             |
| PART NO. PJ-011X-nut |              | UNITS: MM [INCHES] |
| DRAWN BY: ZRJ        | APPROVED BY: | SCALE: 4:1         |

PC FILE NAME:  
PJ-011X-nut

COPYRIGHT 2009  
BY CUI INC.

|     | MATERIAL | PLATING | COLOR  |
|-----|----------|---------|--------|
| NUT | Brass    | Nickel  | Silver |