

MATERIAL NO.	ENGINEERING NO.	FINISHED LENGTH
1300250172	DN91A-M005	1 FT 7.7 IN (0.5M)
1300250523	DN91A-M200	65 FT 7.4 IN (20.0M)
1300250578	DN91A-M400	131 FT 2.8 IN (40.0M)

PART NO. MATRIX
 DN91A-M010
 FINISHED LENGTH
 M005= 0.5 METER
 M010= 1 METER
 M100= 10 METER

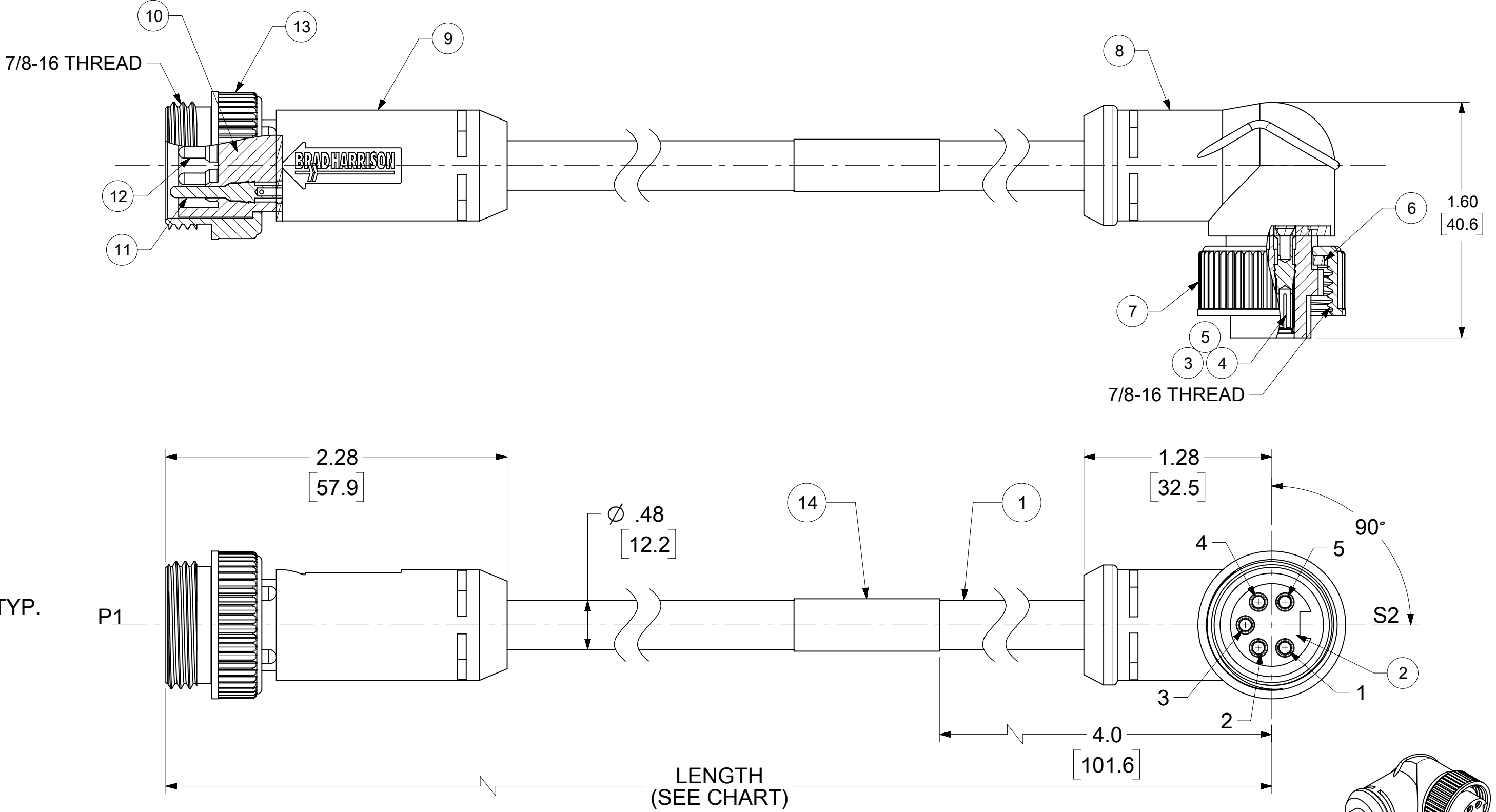
WIRING DIAGRAM

P1		S2
1	DRAIN	1
2	RED +V	2
3	BLACK -V	3
4	WHITE CAN H	4
5	BLUE CAN L	5

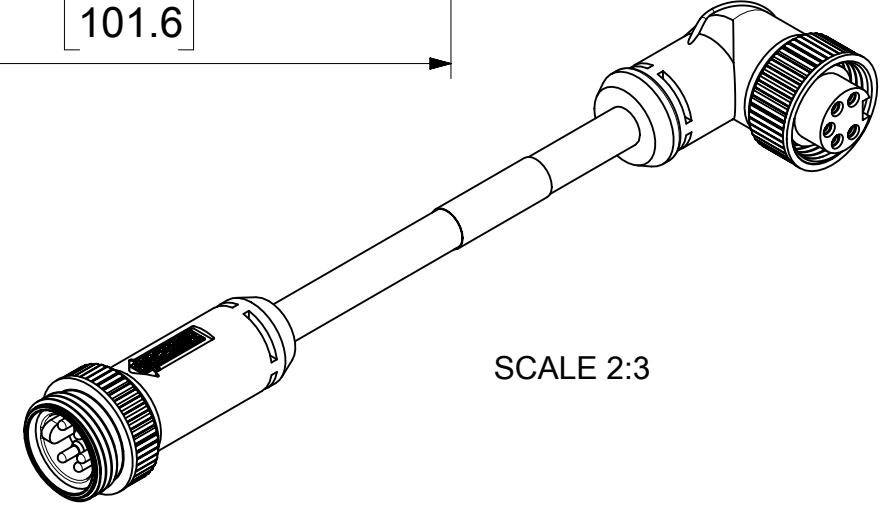
CABLE LENGTH TOLERANCES

<.3M [1FT]	+19mm-0 [+1.75in-0]
.3 - .9M [1 - 3FT]	+44.5mm-0 [+1.75in-0]
.9 - 1.8M [3 - 6FT]	+55.6mm-0 [+2.19in-0]
1.8 - 3.7M [6 - 12FT]	+88.9mm-0 [+3.50in-0]
3.7 - 7.3M [12 - 24FT]	+165.1mm-0 [+6.50in-0]
7.3-14.6M [24 - 48FT]	+317.5mm-0 [+12.50in-0]
14.6 - 30.5M [48-100FT]	+622.3mm-0 [+24.50in-0]
OVER 30M [100FT]	+2% OF FINISHED LENGTH

- NOTES:**
1. MATERIAL: AS NOTED
 2. FINISH: AS NOTED
 3. ELECTRICAL SPECIFICATIONS
 VOLTAGE RATING: 300V PER IEC60664
 300V PER UL2238
 CURRENT RATING: 4A
 4. TEMP RANGE: -20°C TO +80°C
 5. PROTECTION: IP67 (WHEN MATED)
 6. UL RECOGNIZED FILE: E152210
 CSA CERTIFIED FILE: LR6837
 7. DIMS SHOWN ARE FOR REFERENCE UNLESS TOLERANCED OR NOTED OTHERWISE



14	LABEL	VINYL	BLACK/YELLOW
13	COUPLING NUT, MALE	ZINC DIE CAST	BLACK
12	CONTACT PIN, 18 AWG	BRASS	GOLD PLATED
11	CONTACT PIN, 16 AWG	BRASS	GOLD PLATED
10	INSERT, MALE, 5 POLE	TPE	GRAY
9	OVERMOLD, STRAIGHT	TPE	GRAY
8	OVERMOLD, 90 DEG	TPE	GRAY
7	COUPLING NUT, FEMALE	ZINC DIE CAST	BLACK
6	FRICITION RING	NYLON	WHITE
5	SOCKET SLEEVE	ST. STEEL	
4	CONTACT SOCKET, 18 AWG	BRASS	GOLD PLATED
3	CONTACT SOCKET, 16 AWG	BRASS	GOLD PLATED
2	INSERT, FEMALE, 5 POLE	TPE	GRAY
1	CABLE, DEV-NET, TRUNK, 18/2, 15/2	PVC JACKET	GRAY
ITEM	DESCRIPTION	MATERIAL	FINISH



THIS DRAWING CONTAINS INFORMATION THAT IS PROPRIETARY TO MOLEX ELECTRONIC TECHNOLOGIES, LLC AND SHOULD NOT BE USED WITHOUT WRITTEN PERMISSION

DIMENSION UNITS	SCALE	CURRENT REV DESC: ITEM 2, 8, 9 & 10 WERE PVC & MATERIAL TABLE MODIFIED.
INCH/MM	1.5:1	
GENERAL TOLERANCES (UNLESS SPECIFIED)		
4 PLACES	±	EC NO: 645633
3 PLACES	±	DRWN: PDODDAMANEMY 2020/04/24
2 PLACES	±	CHK'D: RSTONE 2020/10/01
1 PLACE	±	APPR: BWOODMAN 2020/10/23
0 PLACES	±	INITIAL REVISION:
ANGULAR TOL	± °	DRWN: RSTONE 2009/05/11
DRAFT WHERE APPLICABLE MUST REMAIN WITHIN DIMENSIONS	THIRD ANGLE PROJECTION	APPR: JFMURPHY 2009/05/15
	DRAWING	SERIES
	C-SIZE	130025

MINI-CHANGE CORDSET, A SIZE 5 POLE, MALE STRAIGHT-FEMALE 90 DEG, SINGLE KEY, 15/18AWG DEVICENET		
PRODUCT CUSTOMER DRAWING		
DOCUMENT NUMBER	DOC TYPE	DOC PART
SD-130025-002	PSD	001
MATERIAL NUMBER	CUSTOMER	SHEET NUMBER
SEE TABLE	GENERAL MARKET	1 OF 1