

# NHD-3.5-320240MF-20 Controller Board

## TFT Controller Evaluation Board

|         |   |
|---------|---|
| NHD-    | Newhaven Display  |
| 3.5-    | 3.5" Diagonal   |
| 320240- | 320xRGBx240 pixels                                      |
| MF-     | Model   |
| 20-     | 20-POS FFC interface (8-bit data)<br>SSD1963 Controller |

**Newhaven Display International, Inc.**

2661 Galvin Ct.

Elgin IL, 60124

Ph: 847-844-8795

Fax: 847-844-8796

[www.newhavendisplay.com](http://www.newhavendisplay.com)

[nhtech@newhavendisplay.com](mailto:nhtech@newhavendisplay.com)

[nhsales@newhavendisplay.com](mailto:nhsales@newhavendisplay.com)

## Document Revision History

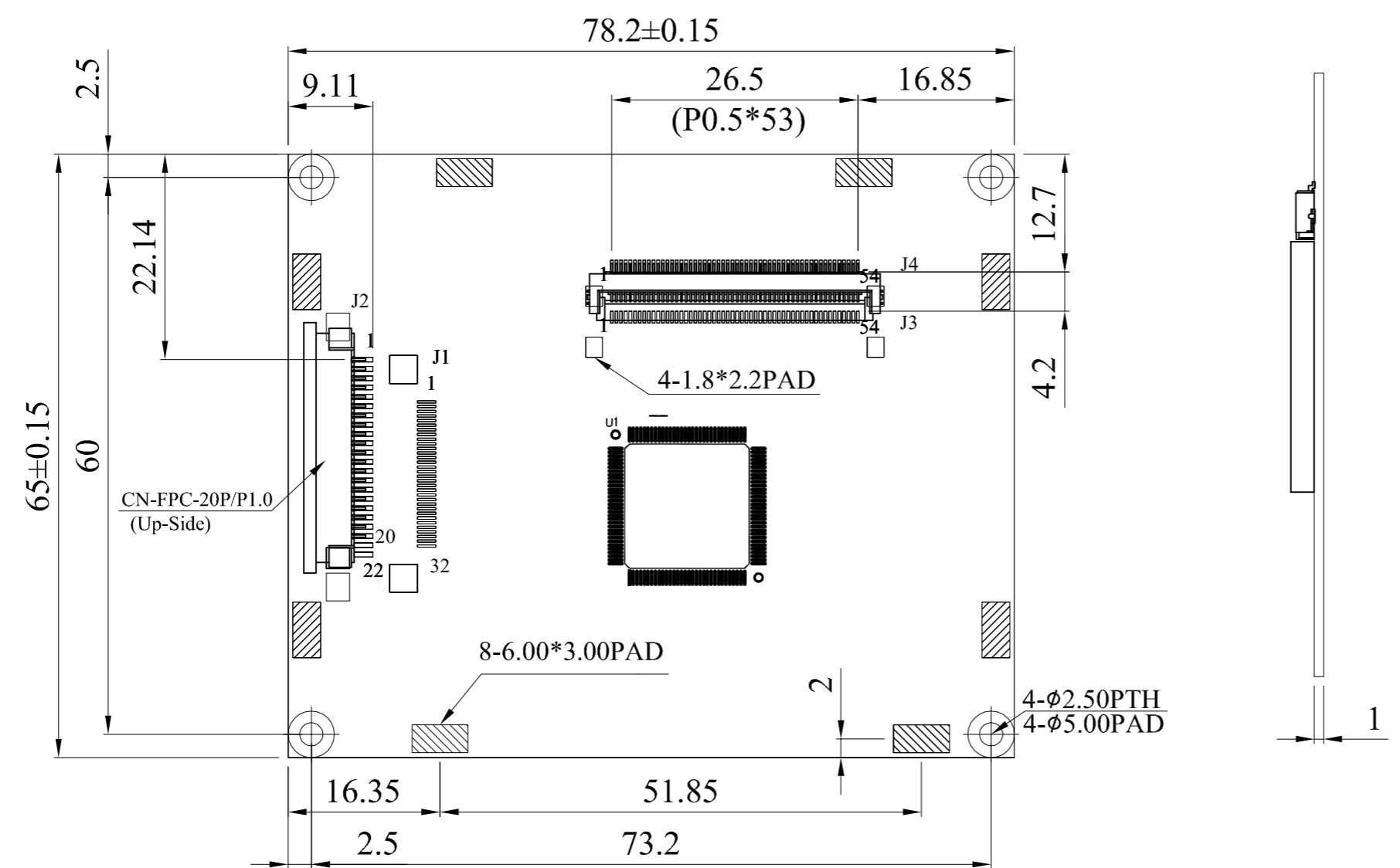
| Revision | Date      | Description   | Changed by |
|----------|-----------|---|------------|
| 0        | 5/14/2007 | Initial Release   | CL         |
| 1        | 4/17/2012 | Mechanical drawing updated  | AK         |
| 2        | 4/27/2012 | J2 Pin description updated  | AK         |
| 3        | 1/25/2013 | J2 Pin description updated  | AK         |
| 4        | 4/26/16   | Mechanical Drawing Updated  | SB         |
| 5        | 3/3/21    | 2D Mechanical Drawing Redesign;<br>Revised Compatibility to NHD-3.5-320240MF-ATXL# Models | AS         |

## Functions and Features

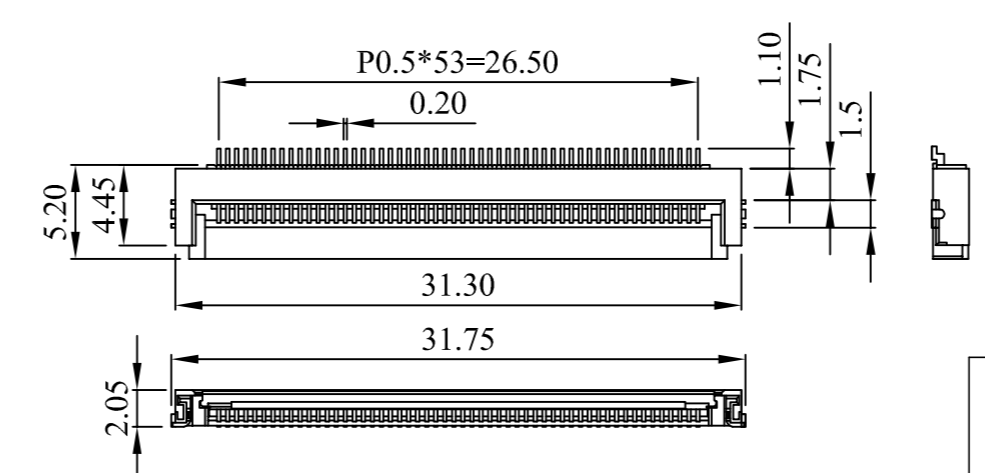
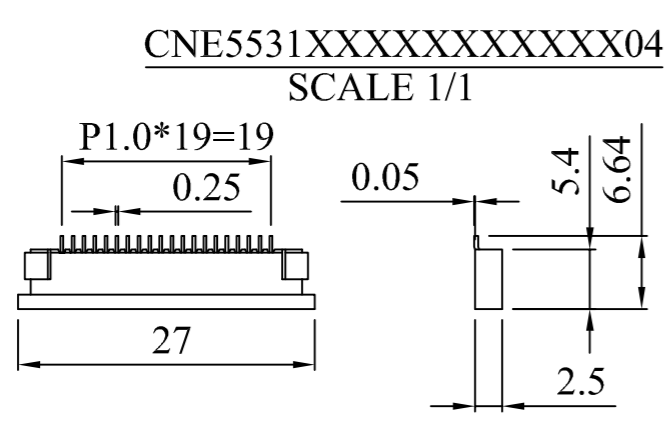
- To use for testing, evaluating, or in final production with NHD-3.5-320240MF-ATXL# displays.

# Mechanical Drawing

| SYMBOL | REVISION | DATE |
|--------|----------|------|
|        |          |      |
|        |          |      |



CNL3231XXXXXXXXXX00  
SCALE 2/1



**J2**

| PIN NO. | SYMBOL |
|---------|--------|
| 1       | GND    |
| 2       | VDD    |
| 3       | BL_E   |
| 4       | D/C    |
| 5       | WR     |
| 6       | RD     |
| 7       | DB0    |
| 8       | DB1    |
| 9       | DB2    |
| 10      | DB3    |
| 11      | DB4    |
| 12      | DB5    |
| 13      | DB6    |
| 14      | DB7    |
| 15      | CS     |
| 16      | RES    |
| 17      | NC     |
| 18      | NC/XL  |
| 19      | NC     |
| 20      | NC/YU  |

|   |  |  |
|---|--|--|
| <b>Standard Tolerance:</b><br>(Unless otherwise specified)<br><br>Linear: ±0.3mm                  |  |  |
|   | Drawing/Part Number: <b>NHD-3.5-320240MF-20 Controller Board</b> |  |
| <b>Unless otherwise specified:</b><br>• Dimensions are in Millimeters<br>• Third Angle Projection | Drawn By: A. Shah  | Approved By: A. Shah                   |
|   | Drawn Date: 3/4/2021   | Approved Date: 3/4/2021                |
| <b>Do Not Scale Drawing</b>   |  | Revision: 1.0<br>Size: A3<br>Scale: NS |
| Sheet 1 of 1  |  |  |

This drawing is solely the property of Newhaven Display International, Inc. The information it contains is not to be disclosed, reproduced or copied in whole or part without written approval from Newhaven Display.

## Pin Description

### J2 (SSD1963 input from user's MPU):

| Pin No. | Symbol     | External Connection | Function Description                       |
|---------|------------|---------------------|--|
| 1       | VSS        | Power Supply        | Ground                                     |
| 2       | VDD        | Power Supply        | Power supply for LCD and logic (3.3V)      |
| 3       | B/L Enable | Power Supply        | Backlight Enable                           |
| 4       | RS         | MPU                 | Register Select. RS=0: Command, RS=1: Data |
| 5       | /WR        | MPU                 | 8080 mode: Active LOW Write                |
| 6       | /RD        | MPU                 | 8080 mode: Active LOW Read                 |
| 7-14    | DB0-DB7    | MPU                 | 8-bit bidirectional data bus               |
| 15      | /CS        | MPU                 | Active LOW Chip Select                     |
| 16      | /RST       | MPU                 | Active LOW Reset                           |
| 17      | NC         | -                   | No Connect                                 |
| 18      | NC         | -                   | No Connect                                 |
| 19      | NC         | -                   | No Connect                                 |
| 20      | NC         | -                   | No Connect                                 |

### J3, J4 (SSD1963 output to display panel):

| Pin No. | Symbol  | External Connection | Function Description                       |
|---------|---------|---------------------|--|
| 1       | LED-    | LED Power Supply    | Ground for backlight                       |
| 2       | LED-    | LED Power Supply    | Ground for backlight                       |
| 3       | LED+    | LED Power Supply    | Power for backlight                        |
| 4       | LED+    | LED Power Supply    | Power for backlight                        |
| 5-7     | NC      | -                   | No Connect                                 |
| 8       | /RST    | MPU                 | Active LOW Reset                           |
| 9       | /CS     | -                   | Active LOW Serial Chip Select (No Connect) |
| 10      | SCL     | -                   | Serial Clock (No Connect)                  |
| 11      | SDA     | -                   | Serial Data (No Connect)                   |
| 12-19   | [B0-B7] | MPU                 | Blue Data                                  |
| 20-27   | [G0-G7] | MPU                 | Green Data                                 |
| 28-35   | [R0-R7] | MPU                 | Red Data                                   |
| 36      | HSYNC   | MPU                 | Horizontal (Line) Sync                     |
| 37      | VSYNC   | MPU                 | Vertical (Frame) Sync                      |
| 38      | DCLK    | MPU                 | Dot Clock                                  |
| 39-40   | NC      | -                   | No Connect                                 |
| 41      | VDD     | Power Supply        | Power supply for LCD and logic (3.3V)      |
| 42      | VDD     | Power Supply        | Power supply for LCD and logic (3.3V)      |
| 43-51   | NC      | -                   | No Connect                                 |
| 52      | DE      | -                   | Data Enable (No Connect)                   |
| 53      | VSS     | Power Supply        | Ground                                     |
| 54      | VSS     | Power Supply        | Ground                                     |

## Electrical Characteristics

| Item                        | Symbol | Condition    | Min.    | Typ. | Max.    | Unit |
|-----------------------------|--------|--------------|---------|------|---------|------|
| Operating Temperature Range | Top    | Absolute Max | -20     | -    | +70     | °C   |
| Storage Temperature Range   | Tst    | Absolute Max | -30     | -    | +80     | °C   |
| Supply Voltage              | VDD    | -            | 3.0     | 3.3  | 3.6     | V    |
| Supply Current              | IDD    | -            | -       | 25   | -       | mA   |
| Input High Voltage          | VIH    | -            | 0.8*VDD | -    | VDD     | V    |
| Input Low Voltage           | VIL    | -            | VSS     | -    | 0.2*VDD | V    |
| Backlight Voltage           | VLED   | ILED=20mA    | 18      | 19.2 | 20.4    | V    |
| Backlight Current           | ILED   | -            | -       | 18   | 20      | mA   |

## Controller Information

Built-in SSD1963 controller

Please download specification at [http://www.newhavendisplay.com/app\\_notes/SSD1963.pdf](http://www.newhavendisplay.com/app_notes/SSD1963.pdf)

## MCU Interface

The controller board operates in 8080 mode. This interface uses /WR to define a write cycle and /RD for read cycle. If /WR goes low when the /CS signal is low, the data or command will be latched into the system at the rising edge of /WR. Similarly, the read cycle will start when /RD goes low and end at the rising edge of /RD.

### Pixel Data Format

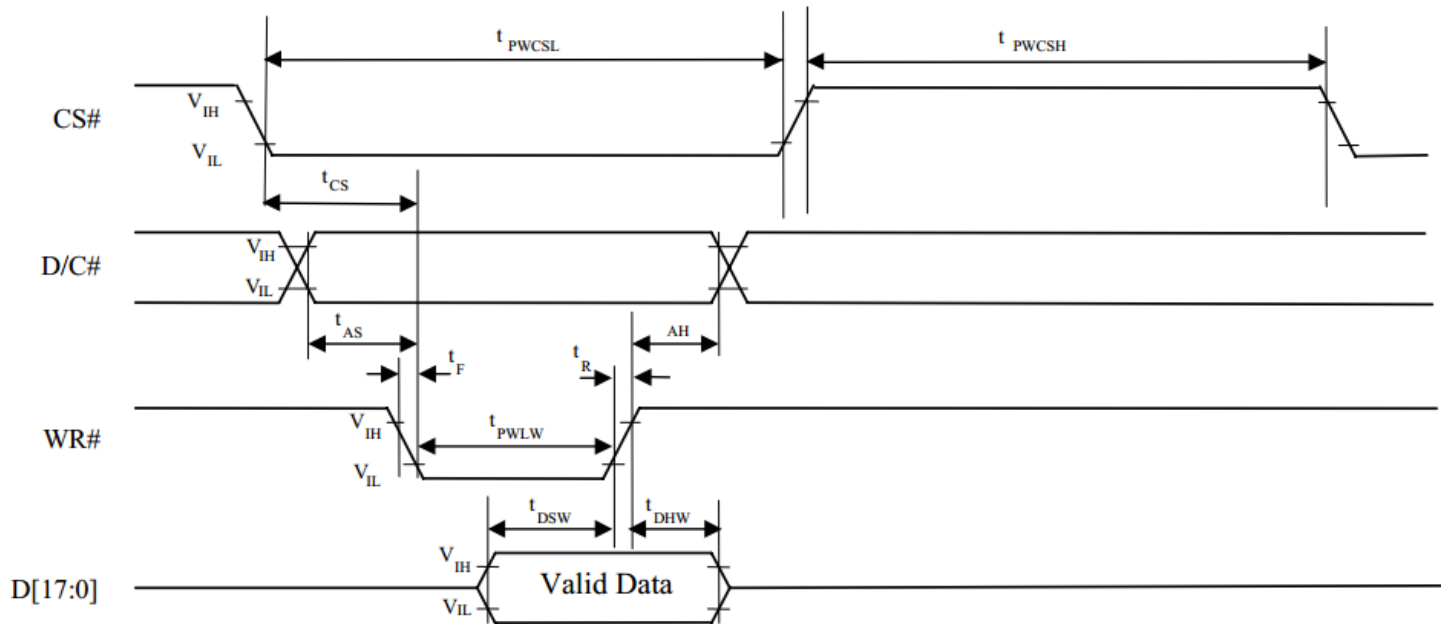
| Interface            | Cycle           | D[23] | D[22] | D[21] | D[20] | D[19] | D[18] | D[17] | D[16] | D[15] | D[14] | D[13] | D[12] | D[11] | D[10] | D[9] | D[8] | D[7] | D[6] | D[5] | D[4] | D[3] | D[2] | D[1] | D[0] |
|----------------------|-----------------|-------|-------|-------|-------|-------|-------|-------|-------|-------|-------|-------|-------|-------|-------|------|------|------|------|------|------|------|------|------|------|
| 24 bits              | 1 <sup>st</sup> | R7    | R6    | R5    | R4    | R3    | R2    | R1    | R0    | G7    | G6    | G5    | G4    | G3    | G2    | G1   | G0   | B7   | B6   | B5   | B4   | B3   | B2   | B1   | B0   |
| 18 bits              | 1 <sup>st</sup> |       |       |       |       |       |       | R5    | R4    | R3    | R2    | R1    | R0    | G5    | G4    | G3   | G2   | G1   | G0   | B5   | B4   | B3   | B2   | B1   | B0   |
| 16 bits (565 format) | 1 <sup>st</sup> |       |       |       |       |       |       |       |       | R5    | R4    | R3    | R2    | R1    | G5    | G4   | G3   | G2   | G1   | G0   | B5   | B4   | B3   | B2   | B1   |
| 16 bits              | 1 <sup>st</sup> |       |       |       |       |       |       |       |       | R7    | R6    | R5    | R4    | R3    | R2    | R1   | R0   | G7   | G6   | G5   | G4   | G3   | G2   | G1   | G0   |
|                      | 2 <sup>nd</sup> |       |       |       |       |       |       |       |       | B7    | B6    | B5    | B4    | B3    | B2    | B1   | B0   | R7   | R6   | R5   | R4   | R3   | R2   | R1   | R0   |
|                      | 3 <sup>rd</sup> |       |       |       |       |       |       |       |       | G7    | G6    | G5    | G4    | G3    | G2    | G1   | G0   | B7   | B6   | B5   | B4   | B3   | B2   | B1   | B0   |
| 12 bits              | 1 <sup>st</sup> |       |       |       |       |       |       |       |       |       |       |       |       | R7    | R6    | R5   | R4   | R3   | R2   | R1   | R0   | G7   | G6   | G5   | G4   |
|                      | 2 <sup>nd</sup> |       |       |       |       |       |       |       |       |       |       |       |       | G3    | G2    | G1   | G0   | B7   | B6   | B5   | B4   | B3   | B2   | B1   | B0   |
| 9 bits               | 1 <sup>st</sup> |       |       |       |       |       |       |       |       |       |       |       |       |       |       |      | R5   | R4   | R3   | R2   | R1   | R0   | G5   | G4   | G3   |
|                      | 2 <sup>nd</sup> |       |       |       |       |       |       |       |       |       |       |       |       |       |       |      | G2   | G1   | G0   | B5   | B4   | B3   | B2   | B1   | B0   |
| 8 bits               | 1 <sup>st</sup> |       |       |       |       |       |       |       |       |       |       |       |       |       |       |      |      | R7   | R6   | R5   | R4   | R3   | R2   | R1   | R0   |
|                      | 2 <sup>nd</sup> |       |       |       |       |       |       |       |       |       |       |       |       |       |       |      |      | G7   | G6   | G5   | G4   | G3   | G2   | G1   | G0   |
|                      | 3 <sup>rd</sup> |       |       |       |       |       |       |       |       |       |       |       |       |       |       |      |      | B7   | B6   | B5   | B4   | B3   | B2   | B1   | B0   |

# Timing Characteristics

## Parallel 8080-series Interface Timing

| Symbol      | Parameter  | Min            | Typ  | Max | Unit |
|-------------|--|----------------|--|-----|------|
| $f_{MCLK}$  | System Clock Frequency*  | 1              | -  | 110 | MHz  |
| $t_{MCLK}$  | System Clock Period*   | $1/f_{MCLK}$   | -  | -   | ns   |
| $t_{PWCSL}$ | Control Pulse High Width<br>Write<br>Read  | 13<br>30       | $1.5 * t_{MCLK}$<br>$3.5 * t_{MCLK}$                 | -   | ns   |
| $t_{PWCSH}$ | Control Pulse Low Width<br>Write (next write cycle)<br>Write (next read cycle)<br>Read | 13<br>80<br>80 | $1.5 * t_{MCLK}$<br>$9 * t_{MCLK}$<br>$9 * t_{MCLK}$ | -   | ns   |
| $t_{AS}$    | Address Setup Time   | 1              | -  | -   | ns   |
| $t_{AH}$    | Address Hold Time  | 2              | -  | -   | ns   |
| $t_{DSW}$   | Write Data Setup Time  | 4              | -  | -   | ns   |
| $t_{DHW}$   | Write Data Hold Time   | 1              | -  | -   | ns   |
| $t_{PWLW}$  | Write Low Time   | 12             | -  | -   | ns   |
| $t_{DHR}$   | Read Data Hold Time  | 1              | -  | -   | ns   |
| $t_{ACC}$   | Access Time  | 32             | -  | -   | ns   |
| $t_{PWLR}$  | Read Low Time  | 36             | -  | -   | ns   |
| $t_R$       | Rise Time  | -              | -  | 0.5 | ns   |
| $t_F$       | Fall Time  | -              | -  | 0.5 | ns   |
| $t_{CS}$    | Chip select setup time   | 2              | -  | -   | ns   |
| $t_{CSH}$   | Chip select hold time to read signal   | 3              | -  | -   | ns   |

\* System Clock denotes external input clock (PLL-bypass) or internal generated clock (PLL-enabled)



## Quality Information

| Test Item                           | Content of Test   | Test Condition  | Note |
|-------------------------------------|---|---|------|
| High Temperature storage            | Endurance test applying the high storage temperature for a long time.   | +80°C , 200hrs  | 2    |
| Low Temperature storage             | Endurance test applying the low storage temperature for a long time.  | -30°C , 200hrs  | 1,2  |
| High Temperature Operation          | Endurance test applying the electric stress (voltage & current) and the high thermal stress for a long time.                    | +70°C 200hrs  | 2    |
| Low Temperature Operation           | Endurance test applying the electric stress (voltage & current) and the low thermal stress for a long time.                     | -20°C , 200hrs  | 1,2  |
| High Temperature / Humidity Storage | Endurance test applying the electric stress (voltage & current) and the high thermal with high humidity stress for a long time. | +60°C , 90% RH , 96hrs  | 1,2  |
| Thermal Shock resistance            | Endurance test applying the electric stress (voltage & current) during a cycle of low and high thermal stress.                  | -20°C,30min -> 25°C,5min -> 70°C,30min = 1 cycle<br>10 cycles                       |      |
| Vibration test                      | Endurance test applying vibration to simulate transportation and use.   | 10-55Hz , 15mm amplitude.<br>60 sec in each of 3 directions X,Y,Z<br>For 15 minutes | 3    |
| Static electricity test             | Endurance test applying electric static discharge.  | VS=800V, RS=1.5kΩ, CS=100pF<br>One time   |      |

**Note 1:** No condensation to be observed.

**Note 2:** Conducted after 4 hours of storage at 25°C, 0%RH.

**Note 3:** Test performed on product itself, not inside a container.

## Precautions for using LCDs/LCMs

See Precautions at [www.newhavendisplay.com/specs/precautions.pdf](http://www.newhavendisplay.com/specs/precautions.pdf)

## Warranty Information and Terms & Conditions

[http://www.newhavendisplay.com/index.php?main\\_page=terms](http://www.newhavendisplay.com/index.php?main_page=terms)