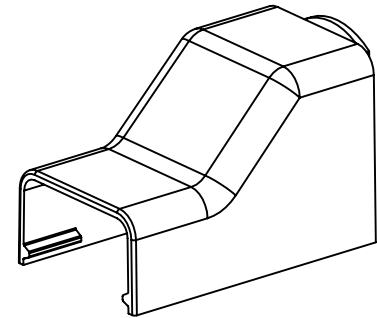
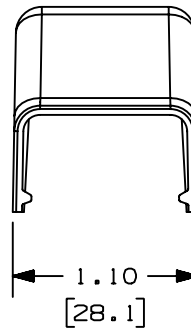
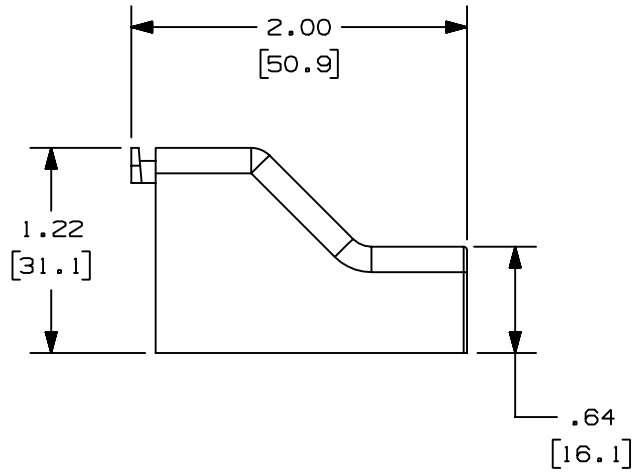


THIS COPY IS PROVIDED ON A RESTRICTED BASIS AND IS NOT TO BE USED IN ANY WAY DETRIMENTAL TO THE INTERESTS OF PANDUIT CORP.

PANDUIT P/N	WEIGHT
FBA5	0.1 LB/10 PCS [52.1 g/10 PCS]

NOTES:

- SEE CURRENT CATALOG FOR ADDITIONAL PART SUFFIXES TO INDICATE COLOR AND OR PACKAGE QUANTITY.
- THE FBA5 FITTING IS USED WITH LD5 AND LDP5 RACEWAYS.
- DIMENSIONS IN PARENTHESES ARE IN METRIC.



CAD FILENAME/LAYERS D38781BA_DC_FBA5_02A.prt

PANDUIT CORP. TINLEY PARK, ILLINOIS
FIRE BOX ADAPTER (FBA5)
CUSTOMER DRAWING

UNLESS OTHERWISE SPECIFIED,
DIMENSIONAL TOLERANCES ARE:
(.X) ± (.XXX) ±
(.XX) ±.03 [.8] ANGLES ±

UNLESS OTHERWISE SPECIFIED,
ALL DIMENSIONS ARE GIVEN
IN INCHES, THIRD ANGLE PROJECTION.

DRAWN BY JHEP	MAT'L: ABS	SCALE NONE
DATE 11-10-03		DRAWING NO. 38781-03
CHK'D RMHI		DWG A SIZE

REV	DATE	BY	CHK	DESCRIPTION	ECN	R	CUST	SUP
R	11-10-03	JHEP	RMHI	RELEASED TO PRODUCTION	38781-03	RGRO	RGRO	