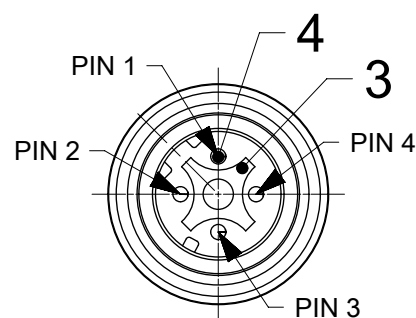


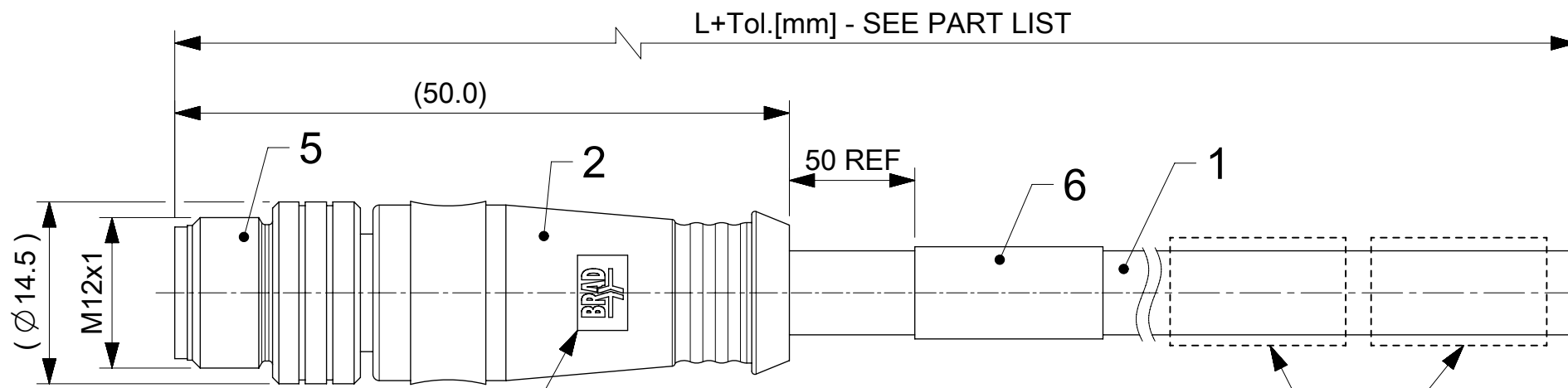
PART No MATRIX

E 1 0 A 0 0 6 1 1 M X X X X

E = ETHERNET
 HEAD : 1 = M12 D-Coding
 HEADS STYLE: 006 = MALE STR
 CABLE TYPE
 UNITS : M= METER T=10x METER
 LENGTH EXAMPLES: 005=0.5 m 010=1m 150=15m
 H= 2 PCS. OF I/D CARRIER
 WIRING TYPE: A=4 Pole (STRAIGHT WIRED)



VIEW FROM THE FRONT SIDE



LOGO BRAD

2xID CARRIER IF IN THE END IN ENGINEERING No IS H

CABLE SPECIFICATION

CONDUCTOR:

MATERIAL: BARE COPPER
 SECTION: 0.34mm² - 22AWG

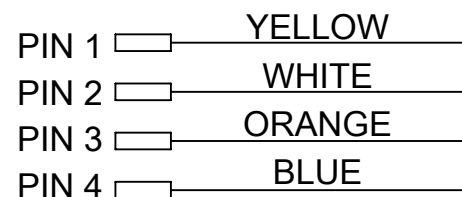
INSULATION:

COMPOUND: POLYOLEFIN
 DIAMETER: \varnothing 1.45mm
 COLOR: WHITE, YELLOW, BLUE, ORANGE
 TWISTED TOGETHER

JACKET:

COMPOUND: PUR
 COLOR: GREEN
 DIAMETER: \varnothing 6.80 \pm 0.20mm

WIRING DIAGRAM



BOM

ITEM	QTY	DESCRIPTION	MATERIAL	FINISH/COLOR
6	1	LABEL	-	-
5	1	COUPLING NUT M12 MALE	BRASS	Ni-PLATED
4	4	CONTACT MALE	BRONZE	GOLD OVER Ni-PLATED
3	1	INSERT M12 MALE 4 POL DC	PUR	BLACK
2	-	OVERMOULD MATERIAL	TPU	BLACK
1	-	CABLE 2x2x22AWG; SHLD	PUR	GREEN

NOTES :

ELECTRICAL DATA :
 VOLTAGE RATING : 250V
 AMPERAGE RATING : 4A
 INSULATION RESISTANCE : 10⁸ Ω MIN.
 MATING CYCLES : MIN. 100

ENVIRONMENTAL :

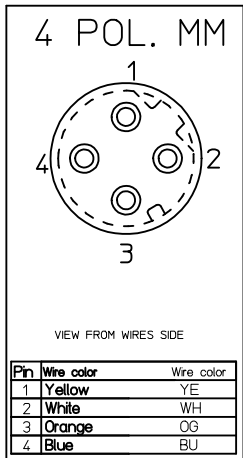
PROTECTION : IP67 IN MATED AND LOCKED POSITION
 OPERATING TEMPERATURE : -25°C TO +85°C

PART LIST

MOLEX PN	ENGINEERING NO	L (mm)
1300480311	E10A00611M020	2000
1300480281	E10A00611M050	5000
1300480282	E10A00611M100	10000
1300480283	E10A00611M200	20000
1300480284	E10A00611M300	30000
1300480285	E10A00611M500	50000
1300488117	E10A00611M100H	10000

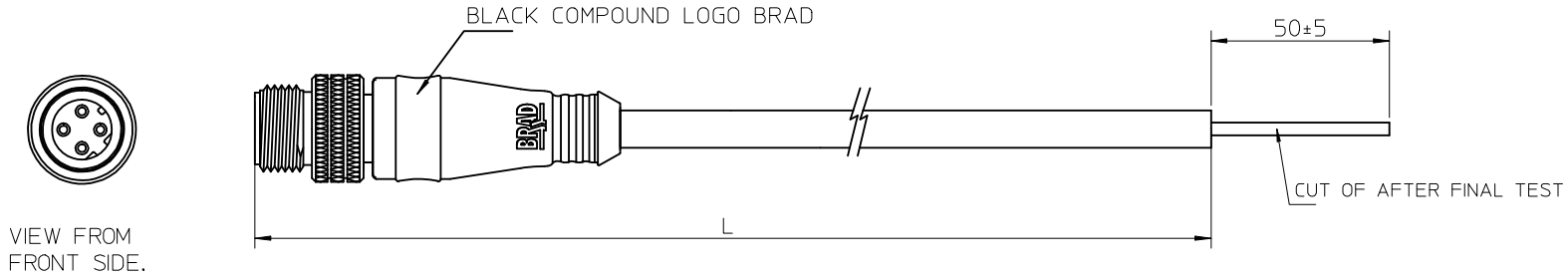
CABLE LENGTH TOLERANCES	
LENGTH	TOLERANCE
0m-1m	+40 mm
>1m-5m	+60 mm
>5m-10m	+80 mm
>10m-20m	+140 mm
>20m-30m	+160 mm
>30m	+1% length

FUNCTIONAL SYMBOLS $\nabla/\bar{A} = 0$ $\nabla/E = 0$ $\nabla/\bar{E} = 0$	THIS DRAWING CONTAINS INFORMATION THAT IS PROPRIETARY TO MOLEX ELECTRONIC TECHNOLOGIES, LLC AND SHOULD NOT BE USED WITHOUT WRITTEN PERMISSION	SCALE 2:1	CURRENT REV DESC:	
	DIMENSION UNITS mm	GENERAL TOLERANCES (UNLESS SPECIFIED)		
DIVISIONAL SYMBOLS	4 PLACES \pm	3 PLACES \pm	2 PLACES \pm 0.05	1 PLACE \pm 0.3
	0 PLACES \pm 0.5	DRAFT WHERE APPLICABLE MUST REMAIN WITHIN DIMENSIONS		THIRD ANGLE PROJECTION
EC NO: 672185 DRWN: MDHARMANTI 2021/07/14 CHK'D: RSILLER 2021/09/20 APPR: RSILLER 2021/09/20		INITIAL REVISION: DRWN: MDHARMANTI 2021/07/14 APPR: RSILLER 2021/09/20		
DOCUMENT NUMBER 1300480311		DOC TYPE PSD	DOC PART 000	REVISION A
MATERIAL NUMBER SEE PART LIST		CUSTOMER GENERAL MARKET	SHEET NUMBER 1 OF 1	



Over	Up to and including	Tolerance (+)
0	305	+19
305	915	+45
915	1830	+56
1830	3660	+89
3660	7320	+165
7320	14640	+317
14640	30500	+610
30500	>	+2% of length

Molex P/N:	ENG P/N:	L [mm]
1300480281	E10A00611M050	5000
1300480282	E10A00611M100	10000
1300480283	E10A00611M200	20000
1300480284	E10A00611M300	30000
1300480285	E10A00611M500	50000



CABLE SPECIFICATION

No. OF CONDUCTORS: 4
 STRANDING: 7x30AWG
 CROSS SECTION: 0,34mm
 OUTER JACKET: GREEN PUR
 TEMPERATURE RATING:
 OPERATING: -20° to 60°C
 STORAGE: -40° to 80°C

SILICONE FREE
 HALOGEN FREE

ORIGINAL RELEASE EC NO: IPG2016-1572 DRWN: MATLA 2016/05/23 CHKD: APPR: MIWASIECZKO 2016/05/25	QUALITY SYMBOLS	GENERAL TOLERANCES (UNLESS SPECIFIED)	DIMENSION STYLE	SCALE	DESIGN UNITS	FIRST ANGLE PROJECTION	
	▼=0 □=0	mm INCH 4 PLACES ± --- ± --- 3 PLACES ± --- ± --- 2 PLACES ± --- ± --- 1 PLACE ± --- ± --- 0 PLACE ± --- ± ---	MM ONLY	-	METRIC	DRAWN BY: MDYSZEWSKA DATE: 2012/11/14 CHECKED BY: JMARSZALEK DATE: 2013/11/28 APPROVED BY: MIWASIECZKO DATE: 2013/11/28	TITLE
	DRAFT WHERE APPLICABLE MUST REMAIN WITHIN DIMENSIONS	ANGULAR ± --- °	SEE CHART 1	MATERIAL NO.	CSE M12 4P DC MA STR PUR XM SE SHLD GN BRA NI		DOCUMENT NO.
					molex		SHEET NO.
					SD-130048-005		1 OF 1