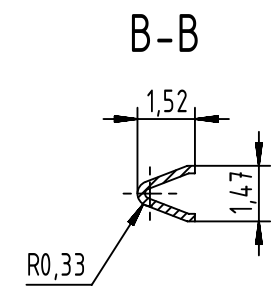
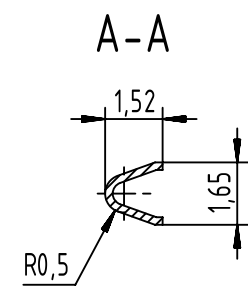
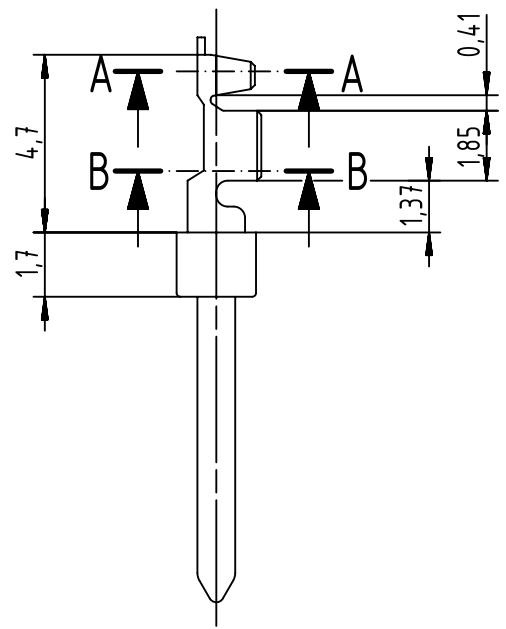
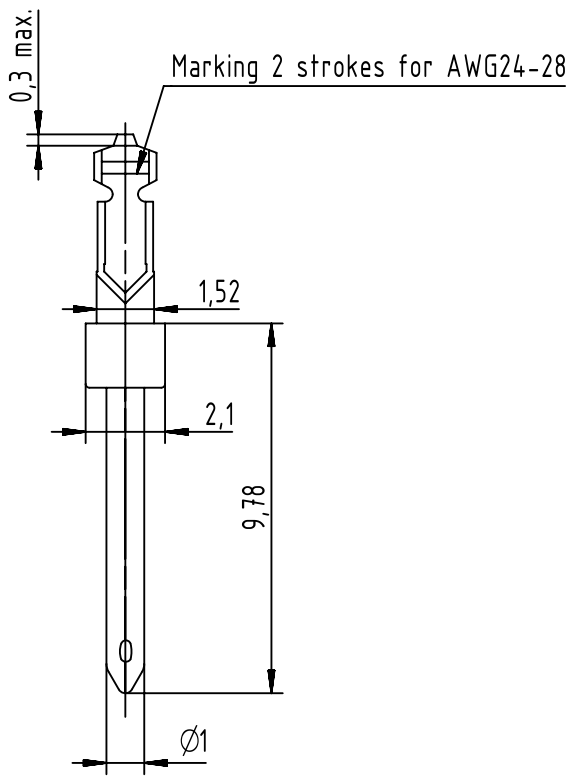


1 2 3 4 5 6

A
B
C
D



Base material: brass
 Plating: sliding contact selective plating over nickel
 nickel plated crimp area
 Number of contacts per bag: 500

		All Dimensions in mm Original Size DIN A4		Scale 5:1		Free size tol.		Ref.	
All rights reserved Department EC PD - FR		Created by SONN		Inspected by BAGDIKIAN		Standardisation HOFFMANN		Date 2015-01-15	
HARTING Electronics GmbH D-32339 Espelkamp		Title D-Sub, stamped male AWG 24-28 crimp contact						State Final Release	
Doc-Key / ECM-Nr. 100607835/UGD/000/A 500000083329		Type TB		Number 0967000717X				Rev. A	
Page 1/1		09 67 000 7178 PL2 PdNi		09 67 000 7177 PL3 Flash Gold		09 67 000 7176 PL1 PdNi		Part number Performance level Plating	