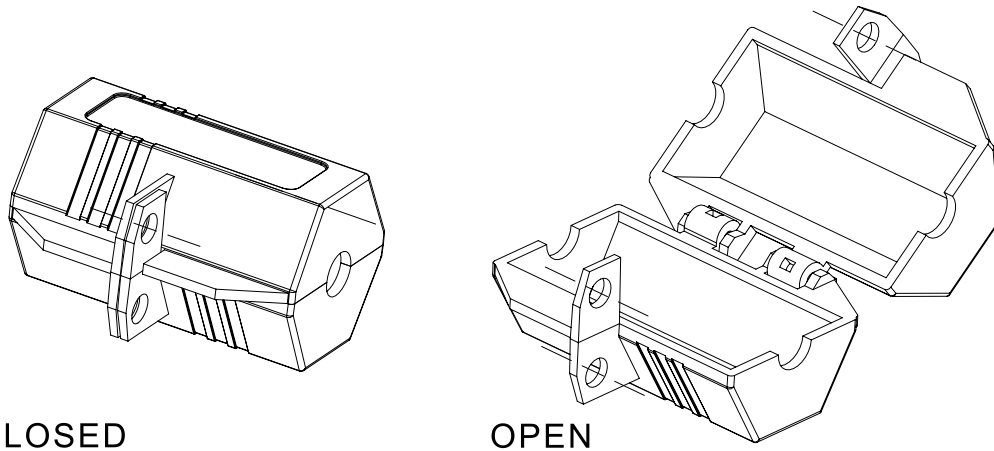


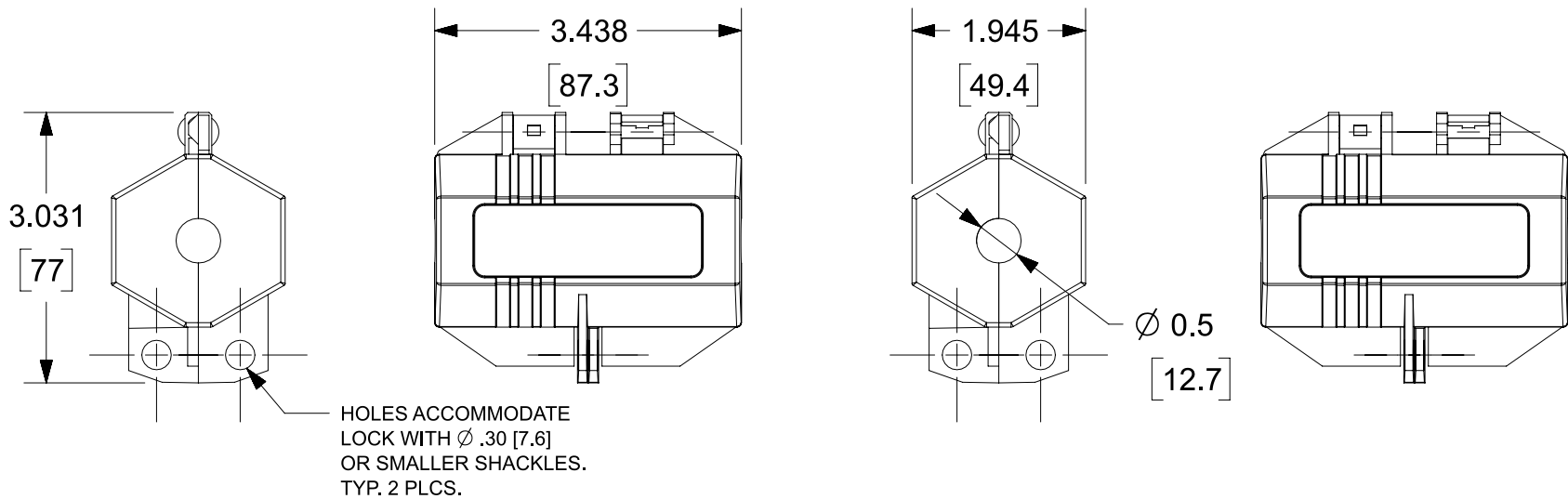
THIS COPY IS PROVIDED ON A RESTRICTED BASIS AND IS NOT TO BE USED IN ANY WAY DETRIMENTAL TO THE INTERESTS OF PANDUIT CORP.



PART NUMBER	INSIDE DIMENSION	STANDARD QTY.
	Inches [mm] Width x Length x Height	
PSL-CL110	3.125 X 1.6875 X 1.720 [79.38] X [42.86] X [43.69]	1

CLOSED

OPEN



REV	DATE	BY	CHK	APR	DESCRIPTION	ECN
5	1/30/2020	RVU	ANRO	JHAC	REPLACED LATEST RECTANGLE MODEL TO CURRENT HEXAGON MODEL.	GAECN05549
4	1/8/2020	RVU	ANRO	JHAC	REPLACE ALL TOP AND BOTTOM OF THIS SAME PART NUMBER. REBUILD MODEL.	GAECN05525
3	1/31/08	RVU	DWY		REMOVED P/N PSL-CL-480. REPLACED PSL-CL CORD LOCKOUT TO PSL-CL110. ON TITLE AREA, ϕ 35" [8.5mm] WAS ϕ 38" [10mm]. REMOVED NOTE 3.	5274
2	1/24/06	RVU	DWY		ADDED PANTONE COLOR #.	4335
1	9/8/05	RVU	DWY		PART NO. IN TITLE BLOCK WAS PSL-CL.	4167
R	9/10/03	RVU	DWY		DRAWING RELEASE.	3399

TITLE					
PSL-CL110 120 Volt AC Cord Lockout Device CUSTOMER DRAWING					
ITEM REVISION NAME			100619XJ/05		
DATASET FILE NAME			100619XJ_DC_C10095/05		
UNLESS OTHERWISE SPECIFIED, DIMENSIONAL TOLERANCES ARE: IN [mm]					
.x ± .5 [12.7]		.xxx ± .1 [2.54]			
.xx ± .25 [6.35]		ANGLES ± 5°			
			THIRD ANGLE PROJECTION		
DRAWN BY			MATERIAL:		
RVU			POLYPROPYLENE, RED		
DATE			PANTONE PMS 186		
9/10/03			DRAWING NUMBER:		
CHK			C10095		
JHAC			SHT 1 OF 1		
SCALE			SIZE		
NTS			A		

D10100DA/20