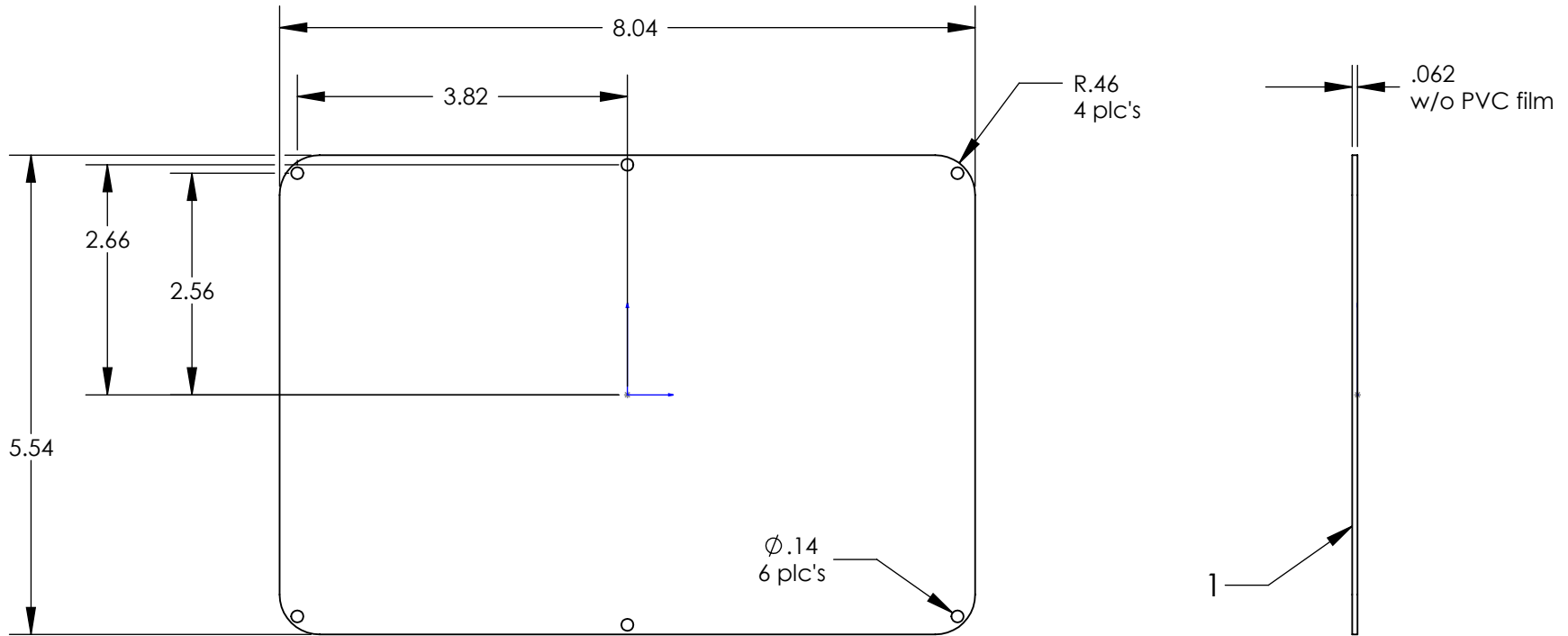


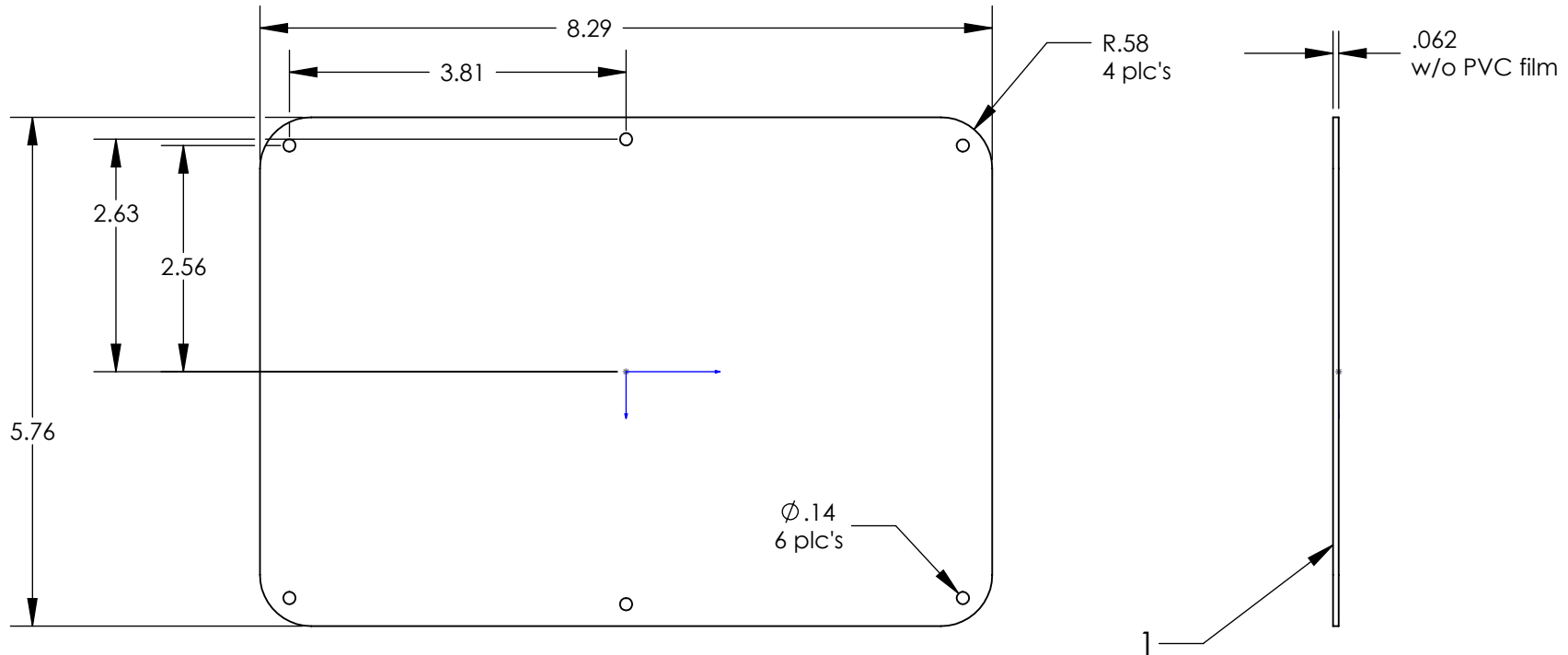
SERPAC Electronic Enclosures 7150T 120 TOP PANEL KIT



NOTES:

- 1) PVC film this side.
- 2) Panel Kit includes:
 - 1 pc of pn 7151 120top aluminum panel.
 - 6 pcs of pn 6005 screws (#4 X 3/8").

SERPAC Electronic Enclosures 7150B 120 BOTTOM PANEL KIT



NOTES:

1) PVC film this side.

2) Panel Kit includes:

1 pc of pn 7152 120 bottom aluminum panel.

1 pc of pn 8101 Instrument panel O-ring for 120.

6 pcs of pn 8000 O-ring.

6 pcs of pn 6005 screws (#4 X 3/8").