



KH3 Series
Basic Evaluation Kit
User's Guide

Wireless made simple[®]



Warning: Some customers may want Linx radio frequency (“RF”) products to control machinery or devices remotely, including machinery or devices that can cause death, bodily injuries, and/or property damage if improperly or inadvertently triggered, particularly in industrial settings or other applications implicating life-safety concerns (“Life and Property Safety Situations”).

NO OEM LINX REMOTE CONTROL OR FUNCTION MODULE SHOULD EVER BE USED IN LIFE AND PROPERTY SAFETY SITUATIONS.

No OEM Linx Remote Control or Function Module should be modified for Life and Property Safety Situations. Such modification cannot provide sufficient safety and will void the product’s regulatory certification and warranty.

Customers may use our (non-Function) Modules, Antenna and Connectors as part of other systems in Life Safety Situations, but only with necessary and industry appropriate redundancies and in compliance with applicable safety standards, including without limitation, ANSI and NFPA standards. It is solely the responsibility of any Linx customer who uses one or more of these products to incorporate appropriate redundancies and safety standards for the Life and Property Safety Situation application.

Do not use this or any Linx product to trigger an action directly from the data line or RSSI lines without a protocol or encoder/decoder to validate the data. Without validation, any signal from another unrelated transmitter in the environment received by the module could inadvertently trigger the action.

All RF products are susceptible to RF interference that can prevent communication. RF products without frequency agility or hopping implemented are more subject to interference. This module does not have a frequency hopping protocol built in.

Do not use any Linx product over the limits in this data guide. Excessive voltage or extended operation at the maximum voltage could cause product failure. Exceeding the reflow temperature profile could cause product failure which is not immediately evident.

Do not make any physical or electrical modifications to any Linx product. This will void the warranty and regulatory and UL certifications and may cause product failure which is not immediately evident.

Table of Contents

- 1 Introduction
- 2 Ordering Information
- 2 KH3 Series Transmitter / Encoder Evaluation Board
- 3 KH3 Series Receiver / Decoder Evaluation Board
- 4 Theory of Operation
- 5 Using the Kit
- 5 Setting the Address
- 6 Development Using the Prototyping Area
- 7 Range Testing
- 8 Using the Boards as a Design Reference
- 9 About Antennas
- 9 In Closing
- 10 KH3 Series Transmitter Evaluation Board Schematic
- 11 KH3 Series Decoder Evaluation Board Schematic

KH3 Series Basic Evaluation Kit

User's Guide

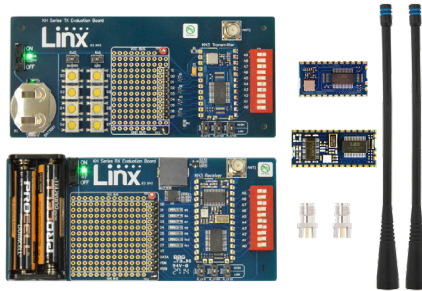


Figure 1: KH3 Series Basic Evaluation Kit

Introduction

Linx KH3 Series RF modules offer a simple, efficient, and cost-effective method of adding wireless communication capabilities to any product. The Basic Evaluation Kit gives a designer all the tools necessary to correctly and legally incorporate the KH3 Series modules into an end product. The development boards themselves serve several important functions:

- **Rapid Evaluation:** The boards allow the performance of the Linx KH3 Series modules to be evaluated quickly in a user's environment.
- **Range Testing:** Using the on-board encoders and decoders to generate a simplex transmission, a pair of development boards can be used to evaluate the range performance of the modules.
- **Design Benchmark:** The boards provide a known benchmark against which the performance of a custom design may be judged.
- **Application Development:** An on-board prototyping area allows for the development of applications directly on the development board. All signal lines are available on a header for easy access.

The kit includes 2 KH3 Series transmitters*, 2 KH3 receivers*, 2 extra PCB-mount RP-SMA connectors, 2 development boards, 2 CW Series antennas, 1 CR2032 battery and 2 AAA batteries.

*One part is soldered to the board, one extra for use on your first prototype board.

Ordering Information

Ordering Information

Part Number	Description
EVAL-***-KH3	KH3 Series Basic Evaluation Kit

*** = 315, 418 (Standard), 433MHz

Figure 2: Ordering Information

KH3 Series Transmitter / Encoder Evaluation Board

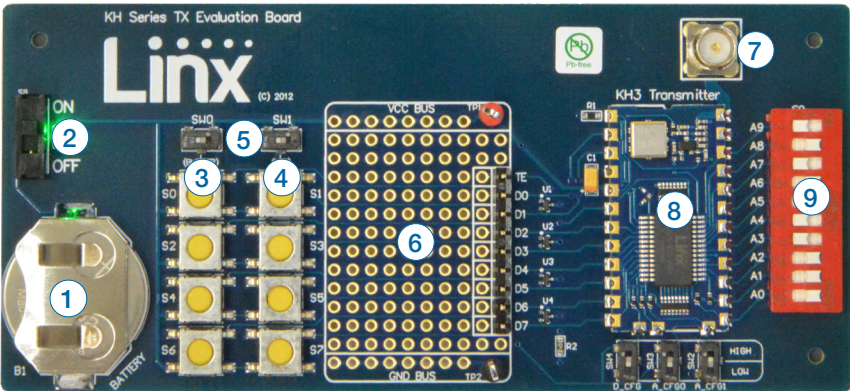


Figure 3: KH3 Transmitter / Encoder Evaluation Board

1. Battery – 3VDC (use a CR2032-style battery only)
2. Power Switch
3. Momentary Pushbutton – S0 (D0)
4. Momentary Pushbutton – S1 (D1)
5. Continuous Transmit Switches
6. Prototyping Area
7. Reverse-Polarity SMA Antenna Connector
8. KH3 Series Transmitter Module
9. 10-Position Address DIP Switch

KH3 Series Receiver / Decoder Evaluation Board

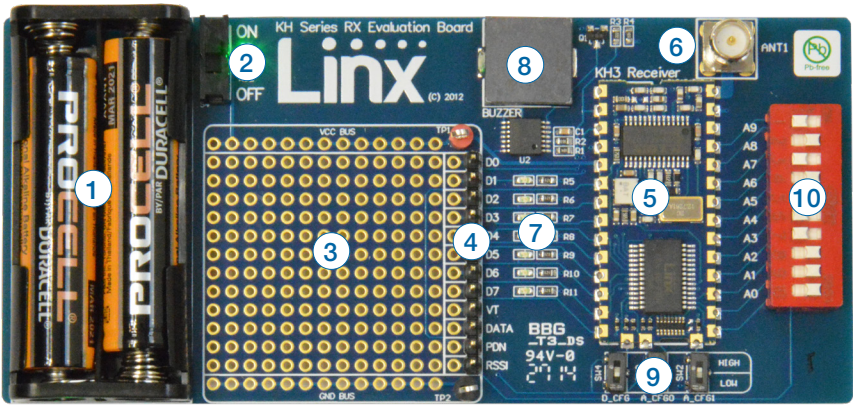


Figure 4: KH3 Receiver / Decoder Evaluation Board

1. Battery – 3VDC (use 2 AAA style batteries)
2. Power Switch
3. Prototyping Area
4. Breakout Header
5. KH3 Series Receiver / Decoder Module
6. Reverse-Polarity SMA Antenna Connector
7. LEDs – D1–D7
8. Buzzer – D0
9. Holtek Configuration Switches
10. Address Configuration DIP Switch

Theory of Operation

Transmitter Evaluation Board

The transmitter board is powered by a 3V CR2032 lithium battery. It has eight SPST pushbutton switches, the states of which are encoded into a data stream by the module. When a switch is closed, the module captures the settings of the 10 address lines (connected to a DIP switch) and the eight pushbutton lines for encoding and transmission. The transmitter continuously transmits when any switch is closed or when the Transmit Enable (TE) line is pulled high. The board has a prototyping area with all of the transmitter lines wired to a header for easy access by external circuitry.

Decoder Evaluation Board

The receiver board is powered by two AAA batteries. The data recovered by the KH3 Series receiver is internally decoded. If the settings of the 10-position DIP switch on the receiver board match the address setting of the transmitter board, the data lines are updated to match the state of the data lines (or pushbuttons) on the transmitter board. To demonstrate this, one data line is used activate a buzzer while the others are used to activate LEDs. This board has a prototyping area with all of the receiver lines brought out to a header for easy access by external circuitry.

Using the Kit

Using the kit is straightforward. Simply attach the antennas, turn on the power, set the 10-position DIP switches on both boards the same and press one or more of the buttons on the transmitter board. When S0 is pressed, the buzzer sounds. When S1–S7 are pressed, the corresponding LEDs turns on.

Setting the Address

The address is made of ten inputs from the DIP switch, resulting in 1,022 ($2^{10} - 2$) possible combinations. Both the encoder and decoder board must have matching addresses.

Note: All address lines high or all low is not allowed, so at least one line must be different from the others.



Warning: When designing remote control applications, it is very important to use unique addressing between devices. This eliminates opportunities for accidental triggering of unintentional devices within range. For example, if next door neighbors have matching addresses for their garage doors, each person would open both garage doors when transmitting from a single remote controller. For this reason it is important to set the address to a unique configuration.

Note: The KH3 Series has 10 address inputs which can be set to over a thousand combinations. It is extremely important to mix up the address logic, making the address more likely to be unique. Simple addressing schemes, such as the first 9 address pins set to the same logic and the 10th address pin being inverted is NOT recommended.

Development Using the Prototyping Area

In addition to their evaluation functions, the boards may also be used for product development. They feature a prototyping area for the addition of application-specific circuitry. This area has connections to V_{CC} at the top and to ground at the bottom that can be used to power any circuitry that is added.

Note: The CR2032-style battery on the transmitter board has very low current capacity with, only about 3mA available for external circuitry. If added circuitry requires a higher current, the battery must be removed and the board powered from an external source.

The holes are plated and set at 0.1" on center with a 0.04" diameter, making it easy to add most industry-standard SIP and DIP packages to the board.

On the transmitter board, the data lines and the TE line from the encoder have been wired out to a header on the right side of the prototyping area. On the receiver board, the data, PDN and DATA lines from the receiver have been wired out. This allows for easy access to connect external circuitry to the modules, the encoder, and the decoder. Data line D0 is connected to the buzzer and the rest are connected to LEDs.

Range Testing

Several complex mathematical models exist for determining path loss in many environments. These models vary as the transmitter and receiver are moved from indoor operation to outdoor operation. Although these models can provide an estimation of range performance in the field, the most reliable method is to simply perform range tests using the transmitter and receiver in the intended operational environment.

Simple range testing can be performed with the transmitter and receiver evaluation boards. To prepare the board for range testing, simply turn it on by switching the power switch to the ON position. Pressing S0 on the transmitter activates the buzzer on the receiver board, while S1 activates the LED. Switches SW0 and SW1 have been provided to jumper the buttons and continuously transmit. This allows the designer to turn on the transmitter and walk with the receiver.

As the maximum range of the link in an area is approached, it is not uncommon for the signal to cut in and out as the transmitter moves. This is normal and can result from other interfering sources or fluctuating signal levels due to multipath. Multipath results in cancellation of the transmitted signal as direct and reflected signals arrive at the receiver at differing times and phases. The areas in which this occurs are commonly called “nulls” and simply walking a little further usually restores the signal. If this does not restore the signal, then the maximum effective range of the link has been reached.

Since the evaluation boards are intended for use by design engineers, they are not FCC certified. The transmitter has been set to approximate legal limits by resistor R1 so that the range test results will approximate the results from a well-designed, certified product. For applications where Part 15 limits are not applicable, R1 can be changed according to the attenuation graph in the KH3 Series Transmitter Data Guide.

To achieve maximum range, keep objects such as your hand away from the antenna and ensure that the antenna on the transmitter has a clear and unobstructed line-of-sight path to the receiver board. Range performance is determined by many interdependent factors. If the range you are able to achieve is significantly less than specified by Linx for the products you are testing, then there is likely a problem with either the board or the ambient RF environment in which the board is operating. First, check the battery, switch positions, and antenna connection. Next, measure the receiver's

RSSI voltage with the transmitter turned off to determine if ambient interference is present. If this fails to resolve the issue, please contact Linx technical support.

Using the Boards as a Design Reference

The basic evaluation boards included in this kit are very simple, yet they illustrate some important techniques that should be incorporated into the board layout. The module's mounting pads extend slightly past the edge of the part. This eases hand assembly and allows for better heat conduction under the part if rework is necessary. A full ground plane fill is placed on the bottom of the board. This ground plane serves three important purposes:

First, since a quarter-wave antenna is employed, the ground plane is critical to serve as a counterpoise (please see Application Note AN-00500 "Antennas: Design, Application, and Performance" for details on how a ground plane affects antenna function).

Second, a ground plane suppresses the transfer of noise between stages of a product as well as unintentional radiation of noise into free space.

Third, a ground plane allows for the implementation of a microstrip feed between the module and the antenna. The term microstrip refers to a PCB trace running over a ground plane that is designed to serve as a 50-ohm transmission line. See the module's data guide or the calculator available on our website for details on microstrip calculations.

About Antennas

The choice of antennas is one of the most critical and often overlooked design considerations. The range, performance, and legality of an RF link are critically dependent upon the type of antenna employed. Linx offers a variety of antenna styles that can be considered for a design. Included with the kit is a Linx CW Series connectorized whip antenna that should be connected prior to using the kit. Despite the fact that the antenna is not centered on the board's ground plane, it exhibits a VSWR of <1.7 and suitably demonstrates the module's best practical performance.

In Closing

Here at Linx, "Wireless Made Simple" is more than just our motto, it is our commitment. A commitment to the highest caliber of product, service, and support. That is why, should you have questions or encounter any difficulties using the evaluation kit, you'll be glad to know many resources are available to assist you. First, check carefully for the obvious, then visit our website at www.linxtechnologies.com or call +1 541 471 6256 between 8AM and 4PM Pacific Time to speak with an application engineer.

Legal Notice: All Linx kits and modules are designed in keeping with high engineering standards; however, it is the responsibility of the user to ensure that the products are operated in a legal and appropriate manner. The purchaser understands that legal operation may require additional permits, approvals, or certifications prior to use, depending on the country of operation.

KH3 Series Transmitter Evaluation Board Schematic

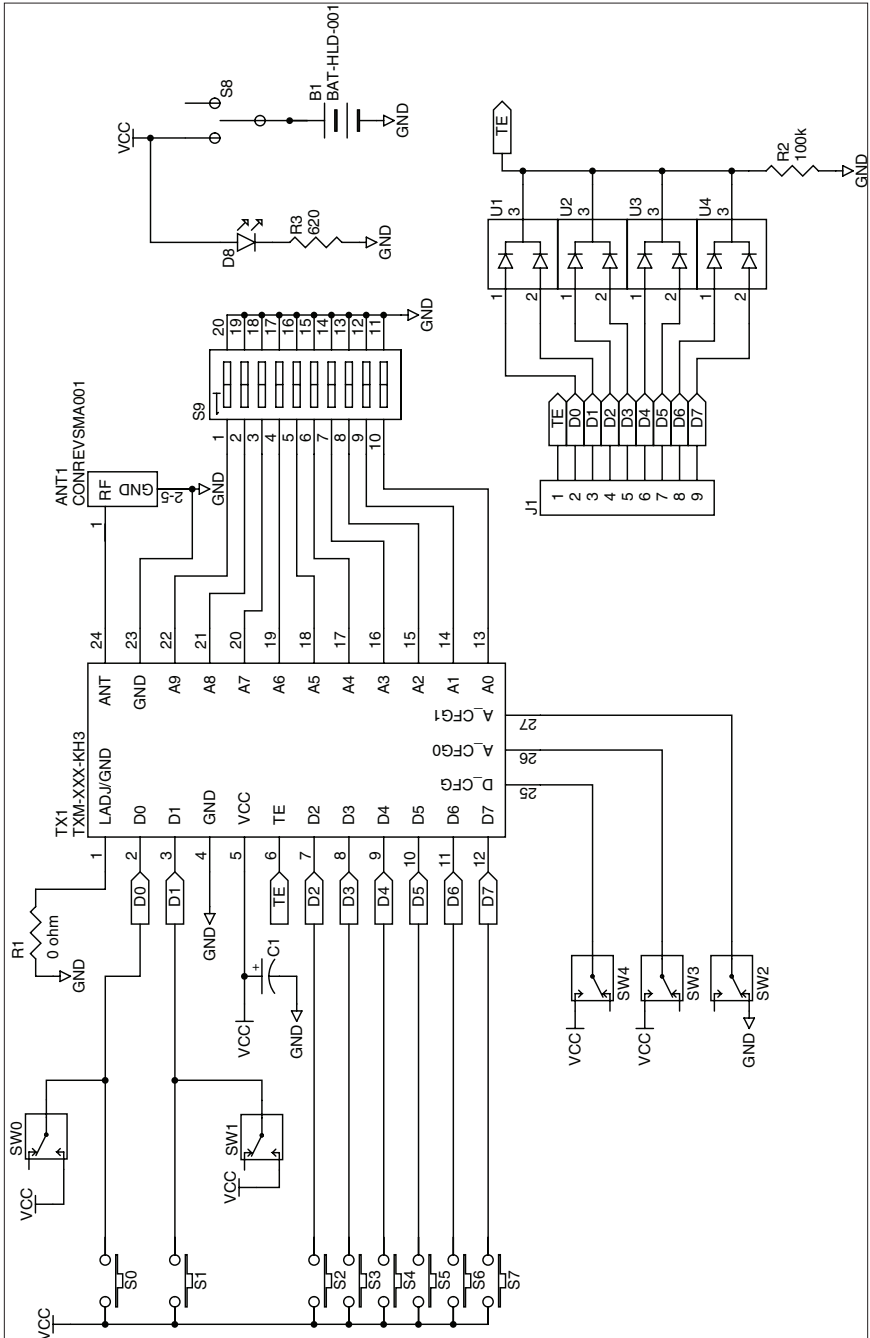


Figure 5: KH3 Series Transmitter / Encoder Evaluation Board Schematic

KH3 Series Receiver / Decoder Evaluation Board Schematic

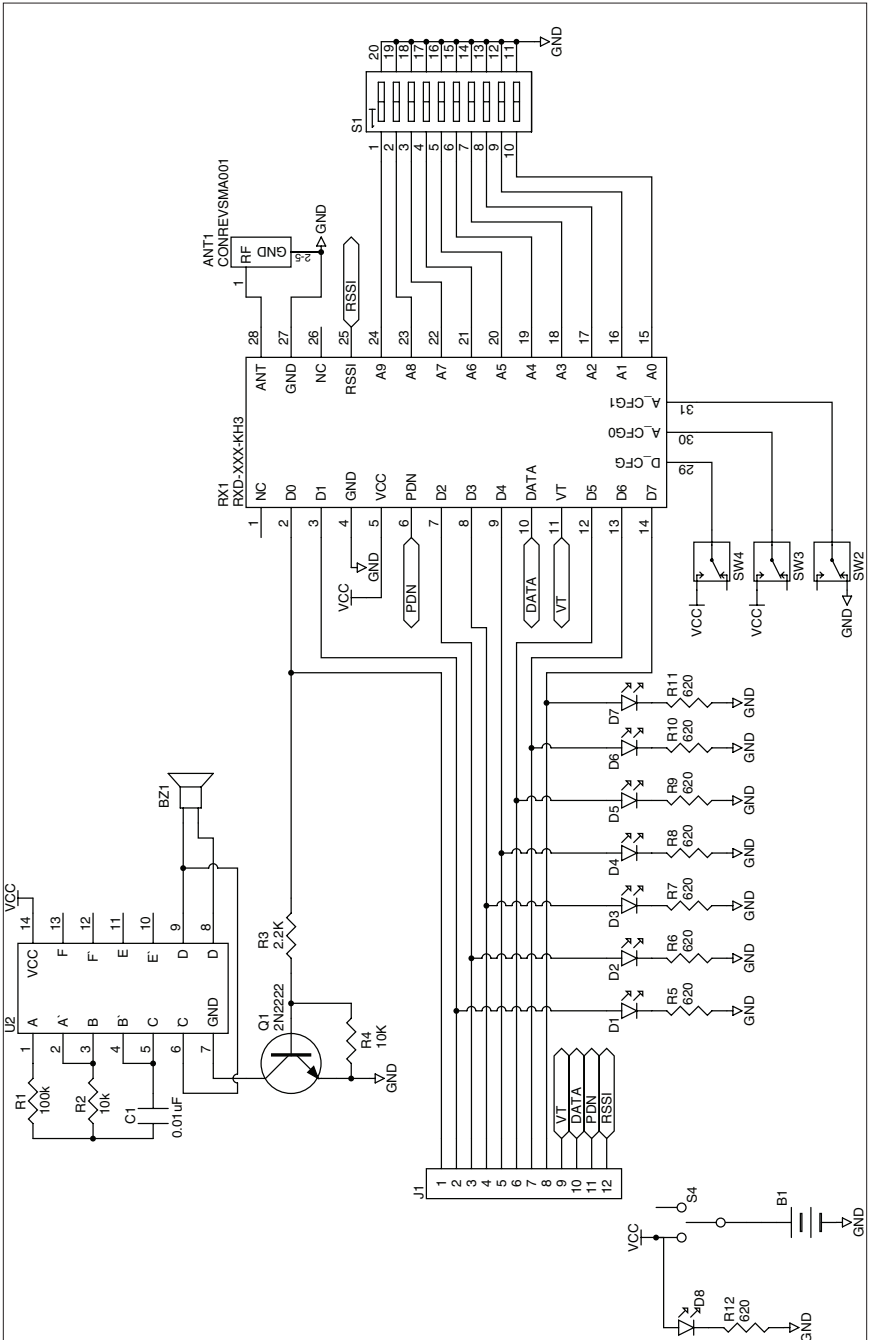


Figure 6: KH3 Series Receiver / Decoder Evaluation Board Schematic



Linx Technologies
159 Ort Lane
Merlin, OR, US 97532

Phone: +1 541 471 6256
Fax: +1 541 471 6251

www.linxtechnologies.com

Disclaimer

Linx Technologies is continually striving to improve the quality and function of its products. For this reason, we reserve the right to make changes to our products without notice. The information contained in this Data Guide is believed to be accurate as of the time of publication. Specifications are based on representative lot samples. Values may vary from lot-to-lot and are not guaranteed. "Typical" parameters can and do vary over lots and application. Linx Technologies makes no guarantee, warranty, or representation regarding the suitability of any product for use in any specific application. It is the customer's responsibility to verify the suitability of the part for the intended application. **NO LINX PRODUCT IS INTENDED FOR USE IN ANY APPLICATION WHERE THE SAFETY OF LIFE OR PROPERTY IS AT RISK.**

Linx Technologies **DISCLAIMS ALL WARRANTIES OF MERCHANTABILITY AND FITNESS FOR A PARTICULAR PURPOSE. IN NO EVENT SHALL LINX TECHNOLOGIES BE LIABLE FOR ANY OF CUSTOMER'S INCIDENTAL OR CONSEQUENTIAL DAMAGES ARISING IN ANY WAY FROM ANY DEFECTIVE OR NON-CONFORMING PRODUCTS OR FOR ANY OTHER BREACH OF CONTRACT BY LINX TECHNOLOGIES.** The limitations on Linx Technologies' liability are applicable to any and all claims or theories of recovery asserted by Customer, including, without limitation, breach of contract, breach of warranty, strict liability, or negligence. Customer assumes all liability (including, without limitation, liability for injury to person or property, economic loss, or business interruption) for all claims, including claims from third parties, arising from the use of the Products. The Customer will indemnify, defend, protect, and hold harmless Linx Technologies and its officers, employees, subsidiaries, affiliates, distributors, and representatives from and against all claims, damages, actions, suits, proceedings, demands, assessments, adjustments, costs, and expenses incurred by Linx Technologies as a result of or arising from any Products sold by Linx Technologies to Customer. Under no conditions will Linx Technologies be responsible for losses arising from the use or failure of the device in any application, other than the repair, replacement, or refund limited to the original product purchase price. Devices described in this publication may contain proprietary, patented, or copyrighted techniques, components, or materials. Under no circumstances shall any user be conveyed any license or right to the use or ownership of such items.

©2021 Linx Technologies. All rights reserved.

