

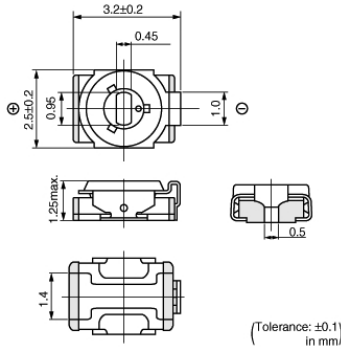
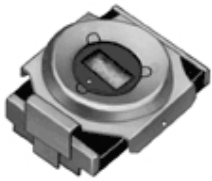
# TZY2Z100AC01R00

Discontinued

RoHS

REACH

## Appearance & Shape



## Features

1. Small and thin size with external dimensions of 2.5(W)x3.2(L)x1.25max(H)mm.
2. New shape of cover can improve the flux invasion compared with current products.
3. Improvement of the adhesion between rotor and stator leads to superior stability.
4. Unique construction with no plastic material provides superior soldering heat resistance to maintain excellent characteristic performance after reflow soldering.

## Packaging Information

Packaging	Specifications	Standard Packing Quantity
R00	180mm Embossed Tape	2000

### Attention

1.This datasheet is downloaded from the website of Murata Manufacturing Co., Ltd. Therefore, it's specifications are subject to change or our products in it may be discontinued without advance notice. Please check with our sales representatives or product engineers before ordering.

2.This datasheet has only typical specifications because there is no space for detailed specifications.

Therefore, please review our product specifications or consult the approval sheet for product specifications before ordering.

# TZY2Z100AC01R00



## Specifications

Shape	SMD
Operating Temperature Range	-25°C to 85°C
Thickness	1.25mm
Thickness Tolerance	max.
Rated Voltage	25Vdc
Cmin.(max.)	3pF
Cmax.	10pF
Cmax. Tolerance	+100/-0%
Adjustment Direction	Top
TC	NP0±300ppm/°C
Q	500min. at 1MHz, Cmax.
Withstanding Voltage	55Vdc
Insulation Resistance(min.)	10000MΩ
Torque	0.7 to 4.9mNm
Mass	0.032g

### Attention

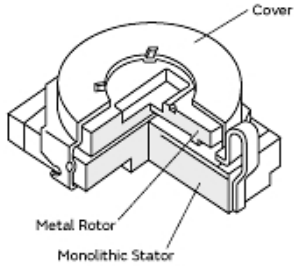
1.This datasheet is downloaded from the website of Murata Manufacturing Co., Ltd. Therefore, it's specifications are subject to change or our products in it may be discontinued without advance notice. Please check with our sales representatives or product engineers before ordering.

2.This datasheet has only typical specifications because there is no space for detailed specifications.

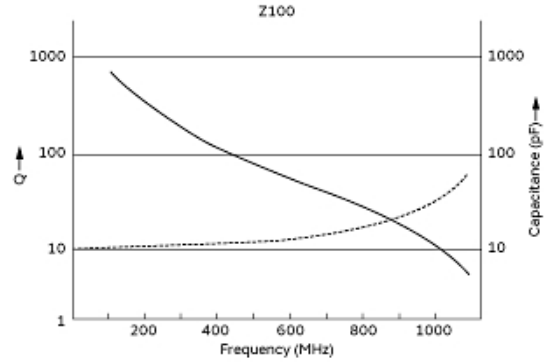
Therefore, please review our product specifications or consult the approval sheet for product specifications before ordering.

# TZY2Z100AC01R00

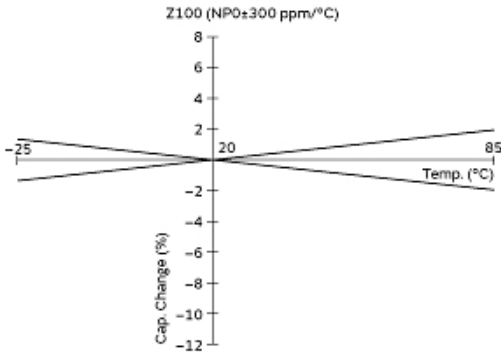
## Product Data



Constructions



Frequency Characteristics



Temp. Coeff. Characteristics

**Attention**

- 1.This datasheet is downloaded from the website of Murata Manufacturing Co., Ltd. Therefore, it's specifications are subject to change or our products in it may be discontinued without advance notice. Please check with our sales representatives or product engineers before ordering.
- 2.This datasheet has only typical specifications because there is no space for detailed specifications. Therefore, please review our product specifications or consult the approval sheet for product specifications before ordering.