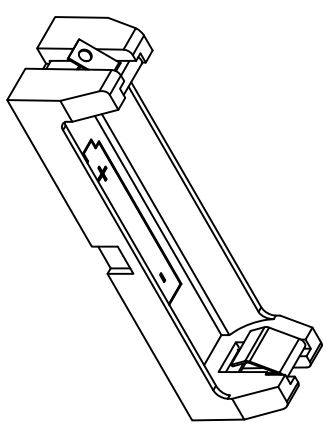
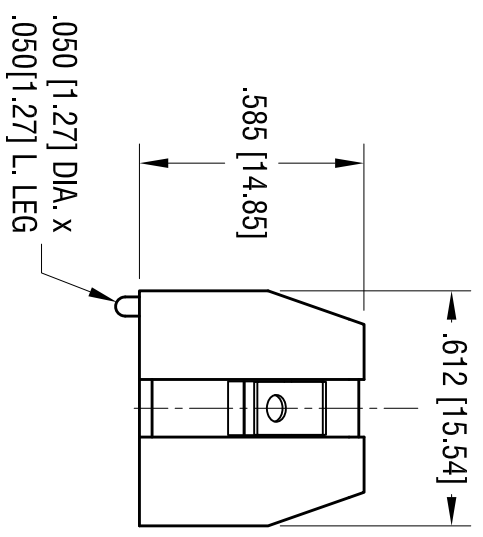
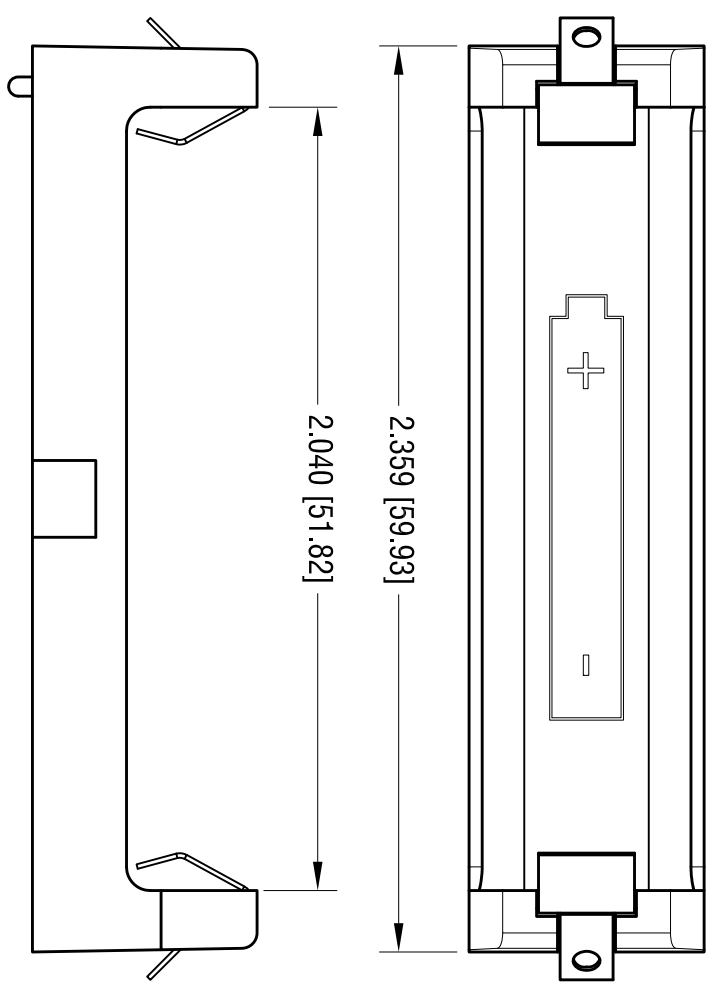


DATE	DESCRIPTION	REV.



**ACTUAL SIZE**

**NOTE:**  
**1. BASE:**  
 MAT'L: HEAT RESISTANCE NYLON  
 STANLYL 46 OR EQUIVALENT  
**2. CONTACT:**  
 MAT'L: .012 [0.30] THK STAINLESS STEEL  
 FINISH: TIN NICKEL PLATE

THIS DOCUMENT IS THE PROPERTY OF KEYSTONE ELECTRONICS CORP. AND SHALL NOT BE REPRODUCED, DISTRIBUTED OR USED AS A BASIS FOR MANUFACTURE WITHOUT PRIOR WRITTEN PERMISSION FROM KEYSTONE ELECTRONICS CORP.

<b>KEYSTONE ELECTRONICS CORP.</b>			
www.keystec.com • ASTORIA, N.Y. 11105-2017 • Tel (718) 956-8900			
<b>PART NAME</b>			
SOLDER LUG BATTERY HOLDER, AA			
<b>MATERIAL</b>			
AS NOTED			
<b>FINISH</b>			
AS NOTED			
<b>TOLERANCES</b>	<b>INCH</b>	<b>[MM]</b>	<b>CODE</b>
DECIMAL	± .010	[± 0.25]	C
ANGULAR	± 1°		
UNLESS OTHERWISE SPECIFIED			
<b>DRN BY</b>	<b>DATE</b>	<b>SCALE</b>	<b>DWG NO.</b>
NT	7.11.16	2X	1115