



## Datasheet Brief

# STDP4028 DisplayPort Transmitter

Kinetic Technologies cannot assume responsibility for use of any circuitry other than circuitry entirely embodied in a Kinetic Technologies product. No intellectual property or circuit patent licenses are implied. Kinetic Technologies reserves the right to change the circuitry and specifications without notice at any time.

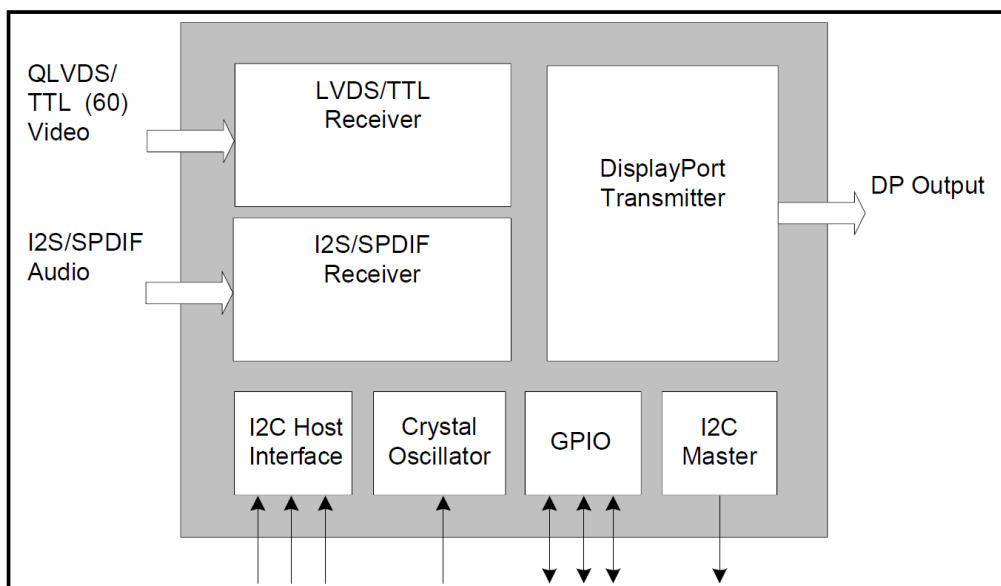
### Features

- Enhanced DisplayPort™ (DP) transmitter
  - DP 1.1a compliant
  - Embedded DisplayPort (eDP) compliant
  - 1, 2, or 4 lanes
- Higher bandwidth “Turbo mode” (3.24 Gbps) per lane, supports:
  - 1920 x 1080 (FHD) 120 Hz/10-bit color video standard timings and 7.1 Ch audio
  - 2560 x 1600 (WQXGA), 2560 x 2048 (QSXGA) 60 Hz/10-bit color graphics and 7.1 Ch audio
- Interface compatibility with wide range of display controller ICs
  - LVTTTL (60 wide) and LVDS (quad bus) video interface
  - 8-Ch I2S and SPDIF audio interface
- Robust AUX channel
  - Link service, maintenance
  - I2C-over-AUX (MCCS, DDC)
  - IR, full duplex UART protocol
- Configurable through I2C host interface
- Supports HDCP 1.3 with on-chip keys

- HDCP repeater capability
  - Acts as downstream transmitter
- Spread spectrum on DisplayPort, LVDS, and TTL interfaces for EMI reduction
- Supports deep color and color format conversion
  - RGB/YUV (4:4:4) – 10-bit color
  - YUV (4:2:2/4:2:0) – 12-bit color
  - RGB (4:4:4) to YUV (4:4:4) conversion and vice-versa
- Low power operation; 18 mW standby
- I2C to AUX bridge for EDID, MCCS pass through
- Supports HBR/“Turbo” speed over HBR/RBR-rated long cables (15 m and more)
- Package
  - 164 LFBGA (12 x 12 mm / 0.8 mm)
  - Power supply voltages
    - 3.3 V I/O; 1.2 V core

### Applications

- Digital TV, docking station, STB, game console, etc.



## 1. Description

The STDP4028 is a DisplayPort transmitter IC for the secure transmission of high-bandwidth, uncompressed digital audio-video signals targeted for applications such as DTV, LCD monitor, docking station, STB and other types of consumer audio-video systems. STDP4028 is VESA DP 1.1a and eDP compliant device, implementing a single link DisplayPort output port comprising four main lanes, auxiliary channel, and HPD. In addition to the standard HBR (2.7 Gbps) and RBR (1.62 Gbps) speeds, this device supports “turbo” speed of 3.24 Gbps per lane with a total link bandwidth of 12.96 Gbps. The higher bandwidth provides unique benefits to users over other commercial DP transmitters for embedded applications by offering additional margin to support higher color depth, resolution, and refresh rate. For example, STDP4028 supports FHD non-reduced blanking video (1080p 30-bit color per pixel) at 120 Hz, plus 7.1 Ch audio in two-box TV applications. The high-speed auxiliary channel in STDP4028 acts as a bidirectional communication link, supporting application-specific protocols such as MCCS, DDC, UART, IR, as well as, the dedicated DisplayPort link training and device management functions. The STDP4028 supports RGB and YUV video color formats with color depth of 12 (YUV 4:2:2 only), 10, and 8 bits.

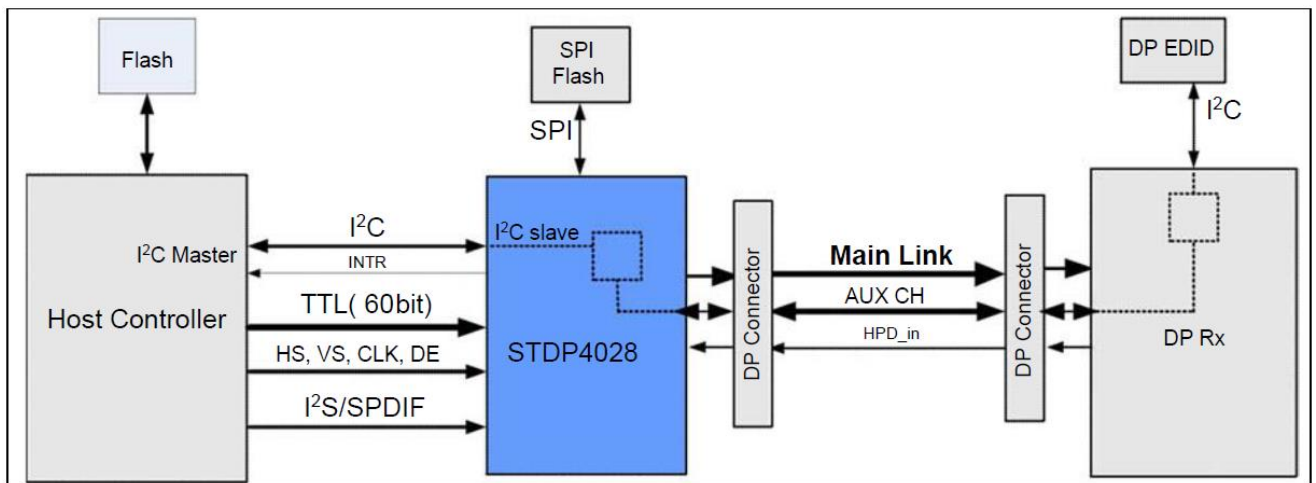
This device offers LVDS and LVTTTL input interface configurable to map a wide range of display controller products. The Quad LVDS interface supports video signals up to 400 MHz pixel rate with flexible channel and lane swapping options. The 60-bit LVTTTL input ports on STDP4028 can be mapped to transfer video data either in two pixels per clock or single pixel per clock of a chosen color depth. The STDP4028 also supports both compressed and uncompressed audio formats.

This device comprises four I2S audio inputs, supporting up to 8 channels LPCM audio and a single wire SPDIF input for encoded audio. The STDP4028 features HDCP 1.3 content protection scheme with an embedded key option for secure transmission of digital audio-video content. In addition, it supports the HDCP repeater function and, thus acts as a downstream transmitter suitable for two-box TV and HDMI/DVI to DP converter applications. The STDP4028 is configurable from an external host through the I2C host interface. This IC also includes general-purpose inputs/outputs for controlling system components. The STDP4028 features a color space converter (RGB to YUV and YUV to RGB) for flexible interface with external video processing devices.

## 2. Application overview

The STDP4028 is designed as DisplayPort transmitter device for transferring high bandwidth video and audio in PC and CE applications. Typical audio-video source system has a graphics or video processing device that acts as system master (host). The host controller configures STDP4028 through an I2C host interface. The host and STDP4028 also use interrupt mechanism whenever the slave needs attention. The STDP4028 requires an external SPI Flash to store firmware for supporting optimal performance. The audio and video signal from the host controller is converted into DisplayPort streams through STDP4028 and transfer to an external display system over standard DisplayPort cable. The I2C to AUX bypass channel handles the I2C traffic between STDP4028 and host controller as shown in the figure below.

**Figure 1. System interface block diagram**



### 3. Ordering information

**Table 1. Order codes**

<b>Part Number</b>	<b>Operating Temperature</b>	<b>Package</b>
STDP4028-AB	0°C to +70°C	164 LFBGA (12 x 12 mm)