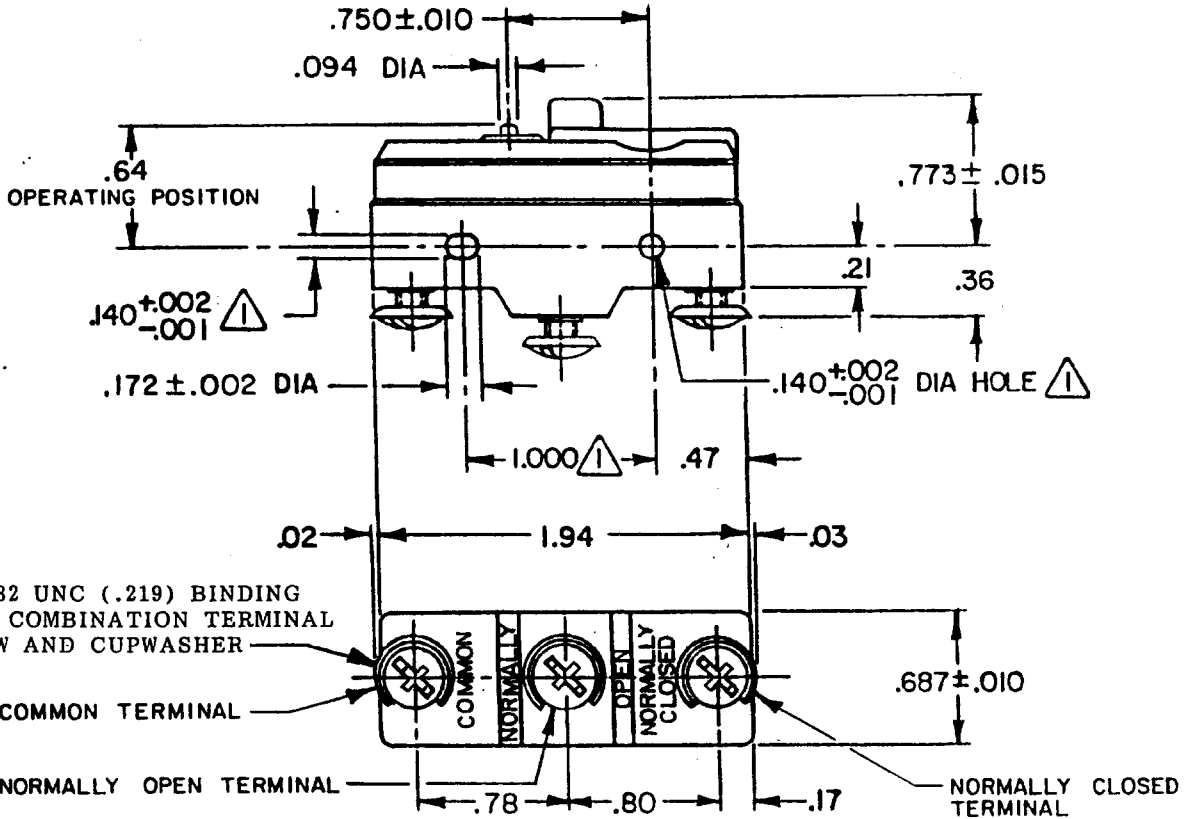
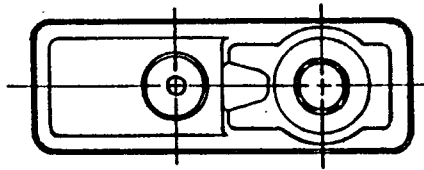


MICRO SWITCH

FREEMONT ILLINOIS, U.S.A
A DIVISION OF HONEYWELL INC.
FED. MFG. CODE 91929

SWITCH - BASIC

CATALOG LISTING
10BS228

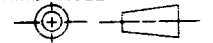


NOTES

- 1 MOUNTING HOLES WILL ACCEPT PINS OR SCREWS OF $.139$ MAX DIA ON $1.000 \pm .002$ CENTERS
- 2 - ADJUSTING SCREW BUSHING IS AT SAME ELECTRICAL POTENTIAL AS NORMALLY CLOSED TERMINAL

THIS DRAWING COVERS A PROPRIETARY ITEM AND IS THE PROPERTY OF MICRO SWITCH, A DIVISION OF HONEYWELL. THIS DRAWING IS NOT TO BE COPIED OR USED WITHOUT THE APPROVAL OF MICRO SWITCH.

THIRD ANGLE PROJECTION



CHARACTERISTICS

OPERATING FORCE ----- 32 OZ MAX
RELEASE FORCE ----- 10 OZ MIN
DIFFERENTIAL TRAVEL ----- .010 MIN
OVERTRAVEL ----- .010 MIN

ELECTRICAL DATA

CONTACT ARRANGEMENT
S P D T

20A 125, 250 OR 480 VAC
3/4 HP 125 VAC, 1 1/2 HP 250 VAC



60 / 75° (CU)

SCALE FULL

DO NOT SCALE PRINT

UNLESS OTHERWISE SPECIFIED TOLERANCES ARE

ONE PLACE (.0) $\pm .030$
TWO PLACE (.00) $\pm .015$
THREE PLACE (.000) $\pm .005$
ANGLES $\pm 10^\circ$

RAW MATERIAL - COMMERCIAL STANDARD

DIMENSIONS ARE IN INCHES AND ARE TO BE MET BEFORE PROTECTIVE COATINGS ARE APPLIED

MICRO SWITCH STANDARDS APPLY

WEIGHT

10BS228

M

DRAWING NUMBER

ISSUE

3

REVISIONS

A	CO-73267-C	J A	20 OCT 93
B	CO-80988	J J A	5 JUN 95

REPLACES X84699-10BS

RELEASE NO. PR-15873

CHECK

CHECK

3 SEP 87

3 SEP 87

CHECK

CHECK

CHECK

FO-52848-B

DRAWN

CHECK