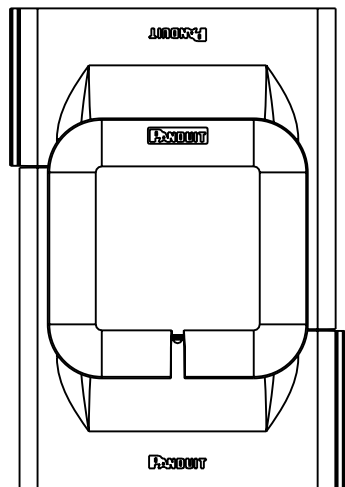
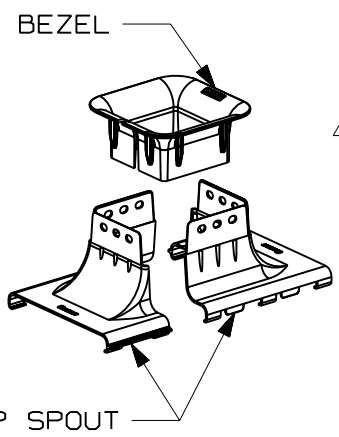


A



10.00  
[254.0]

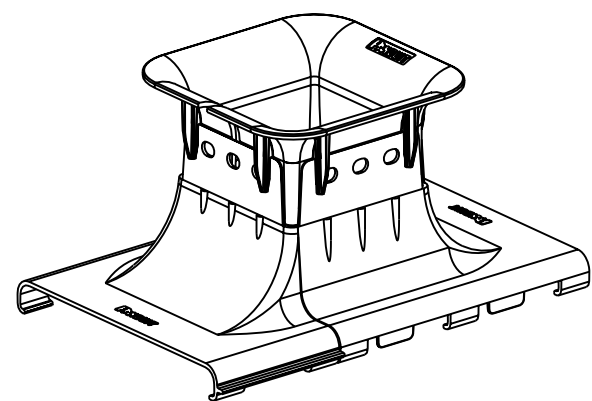
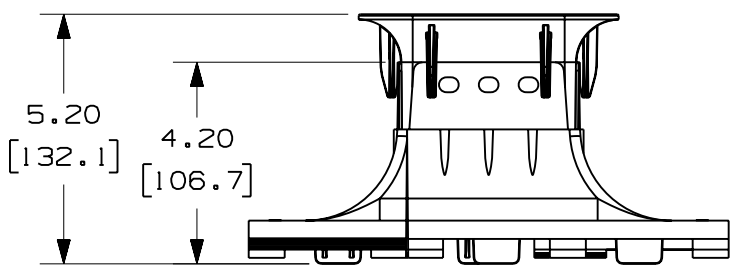
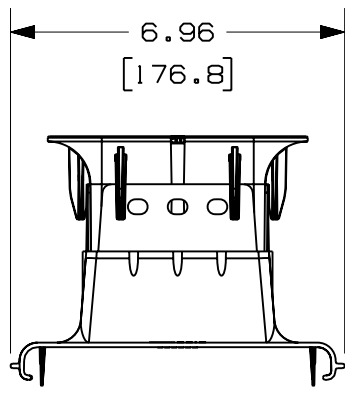


PANDUIT PART NUMBER	WEIGHT
FRUPS6X4	0.59 LB/EACH (269g/EACH)

E

**NOTES:**

1. SEE CURRENT CATALOG FOR ADDITIONAL PART SUFFIXES TO INDICATE COLOR AND/OR PACKAGE QUANTITY.
2. THE FIBERRUNNER 6x4 UP SPOUT IS DESIGNED WITH A MINIMUM 2" (50.8) BEND RADIUS TO PROTECT FIBER OPTIC CABLES. THE RADIUSED BEZEL IS DESIGNED WITH A MINIMUM 1" (25.4) BEND RADIUS TO PROTECT FIBER OPTIC CABLES ENTERING OR EXITING THE FITTING.
3. THE FIBERRUNNER 6x4 UP SPOUT INCLUDES: TWO (2) UP SPOUT COMPONENTS, ONE (1) RADIUSED BEZEL
4. DIMENSIONS IN PARENTHESES ARE IN METRIC.



ENG. REF.: D38154BF\_DC\_FRUPS6X4\_01.prt

CAD FILENAME/LAYERS C FRUPS6X4.pdf

REV	DATE	BY	CHK	DESCRIPTION	ECN	R	CUST	SUP	GMBH
-	-----	---	---	E. REVISED PART WEIGHT	-----	--	--		
-	-----	---	---	D. REVISED GENERAL NOTES C. REVISED CAD FILENAME	-----	--	--		
1	7-24-06	DTP	RN	B. REVISED DRAWING TITLE A. REVISED AND REDRAWN	38154-06	RN	RN		

**PANDUIT** CORP    TINLEY PARK, ILLINOIS

**FIBERRUNNER 6x4 UP SPOUT**  
(FRUPS6X4)  
CUSTOMER DRAWING

UNLESS OTHERWISE SPECIFIED, DIMENSIONAL TOLERANCES ARE:  
 (.X) ±                    (.XXX) ±  
 (.XX) ± .03 (.8)        ANGLES ±

UNLESS OTHERWISE SPECIFIED, ALL DIMENSIONS ARE GIVEN IN INCHES, THIRD ANGLE PROJECTION.

SCALE        NONE

DRAWING NO.        38154-06    DWG SIZE        A

DRAWN BY        JHNU

DATE              10-12-01

CHK'D             DJWA

MAT'L:            ABS