

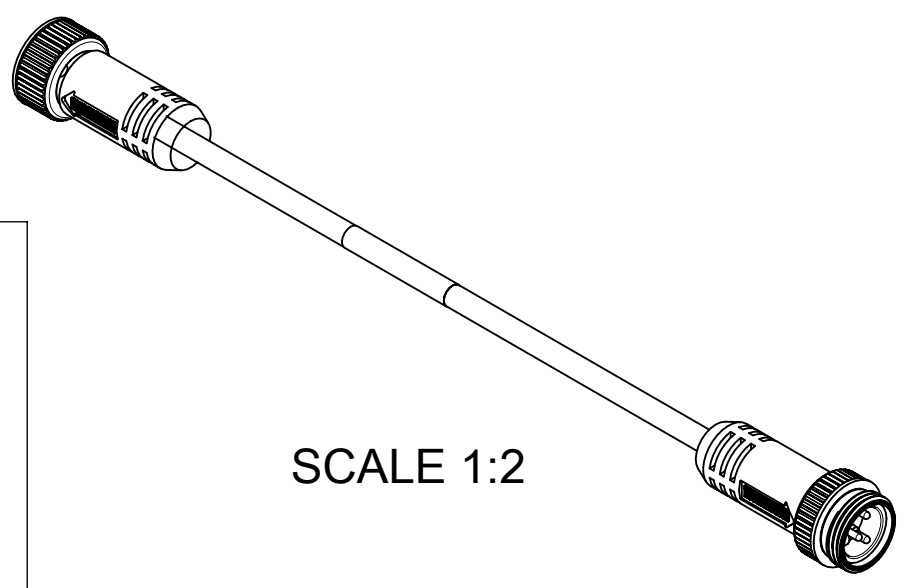
MATERIAL NO.	ENGINEERING NO.	FINISHED LENGTH
1300102049	113030A01F020	2FT (0.6M)
1300100481	113030A01M050	16FT 4.8IN (5M)
1300100480	113030A01F850	85FT (25M)

PART NO. MATRIX
113030A01-M005

FINISHED LENGTH
F020= 2 FEET
M005= 0.5 METER
M010= 1 METER
M100= 10 METER

CABLE LENGTH TOLERANCES

<.3M [1FT]:	+19mm-0 [+ .75in-0]
.3 - .9M [1 - 3FT]:	+44.5mm-0 [+1.75in-0]
.9 - 1.8M [3 - 6FT]:	+55.6mm-0 [+2.19in-0]
1.8 - 3.7M [6 - 12FT]:	+88.9mm-0 [+3.50in-0]
3.7 - 7.3M [12 - 24FT]:	+165.1mm-0 [+6.50in-0]
7.3-14.6M [24 - 48FT]:	+317.5mm-0 [+12.50in-0]
14.6 - 30.5M [48-100FT]:	+622.3mm-0 [+24.50in-0]
OVER 30M [100FT]	+2% OF FINISHED LENGTH

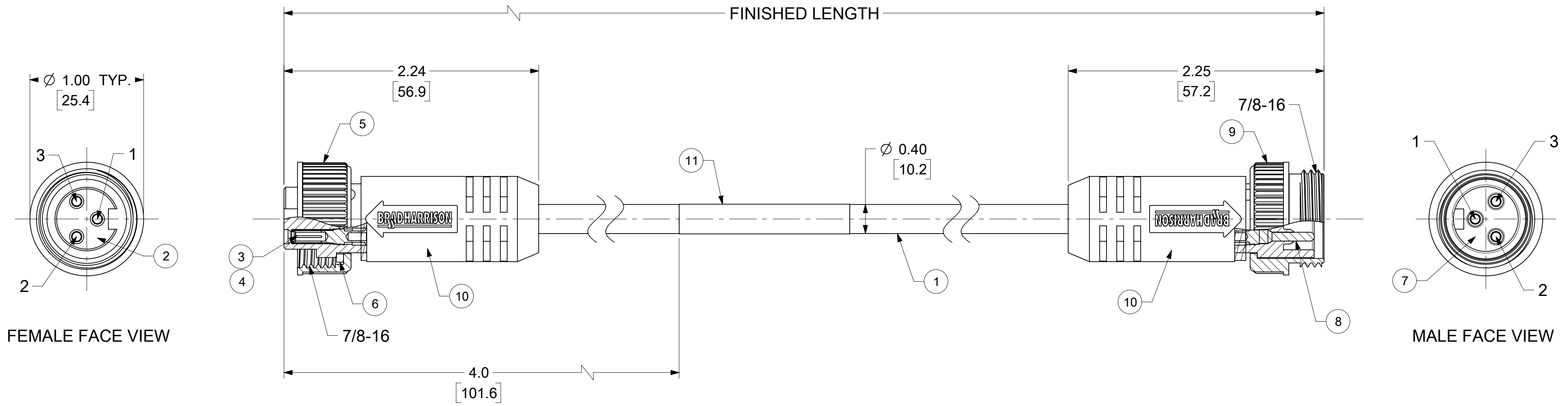


SCALE 1:2

- NOTES:**
- MATERIAL: AS NOTED
 - FINISH: AS NOTED
 - ELECTRICAL SPECIFICATIONS
VOLTAGE RATING: 500V PER IEC60664
600V PER UL2238
CURRENT RATING: 13A
 - TEMP RANGE: -20°C TO +105°C
 - PROTECTION: IP67 (WHEN MATED)
 - UL RECOGNIZED FILE: E152210
CSA CERTIFIED FILE: LR6837
 - ALL DIMS ARE FOR REFERENCE UNLESS TOLERANCED OR NOTED OTHERWISE

WIRING DIAGRAM

1	GREEN/YELLOW	1
2	BLACK	2
3	WHITE	3



11	LABEL	VINYL	BLACK/YELLOW
10	OVERMOLD	TPE	YELLOW
9	COUPLING NUT, MALE	ZINC DIE-CAST	BLACK E-COAT
8	CONTACT PIN	COPPER ALLOY	SELECTIVE GOLD/NICKEL
7	MALE INSERT	TPE	YELLOW
6	FRICITION RING	NYLON	NATURAL
5	COUPLING NUT, FEMALE	ZINC DIE-CAST	BLACK E-COAT
4	SLEEVE	STAINLESS STEEL	-
3	CONTACT SOCKET	COPPER ALLOY	SELECTIVE GOLD/NICKEL
2	FEMALE INSERT	TPE	YELLOW
1	CABLE 16/3 AWG	PVC JACKET	YELLOW
ITEM	DESCRIPTION	MATERIAL	FINISH

THIS DRAWING CONTAINS INFORMATION THAT IS PROPRIETARY TO MOLEX ELECTRONIC TECHNOLOGIES, LLC AND SHOULD NOT BE USED WITHOUT WRITTEN PERMISSION

DIMENSION UNITS	SCALE	CURRENT REV DESC: INITIAL RELEASE, PVC CHANGED TO TPE	molex		
INCH/MM	1.5:1				
GENERAL TOLERANCES (UNLESS SPECIFIED)			MINI-CHANGE CORDSET, A SIZE 3 POLE, MALE-FEMALE, STRAIGHT, SINGLE KEY, 16 AWG		
4 PLACES	±	±	PRODUCT CUSTOMER DRAWING		
3 PLACES	±	±	DOCUMENT NUMBER		
2 PLACES	±	±	1300102049		
1 PLACE	±	±	DOC TYPE DOC PART REVISION		
0 PLACES	±	±	PSD 000 A		
ANGULAR TOL	±	°	MATERIAL NUMBER CUSTOMER SHEET NUMBER		
DRAFT WHERE APPLICABLE MUST REMAIN WITHIN DIMENSIONS	THIRD ANGLE PROJECTION	DRAWING SERIES	SEE TABLE GENERAL MARKET 1 OF 1		