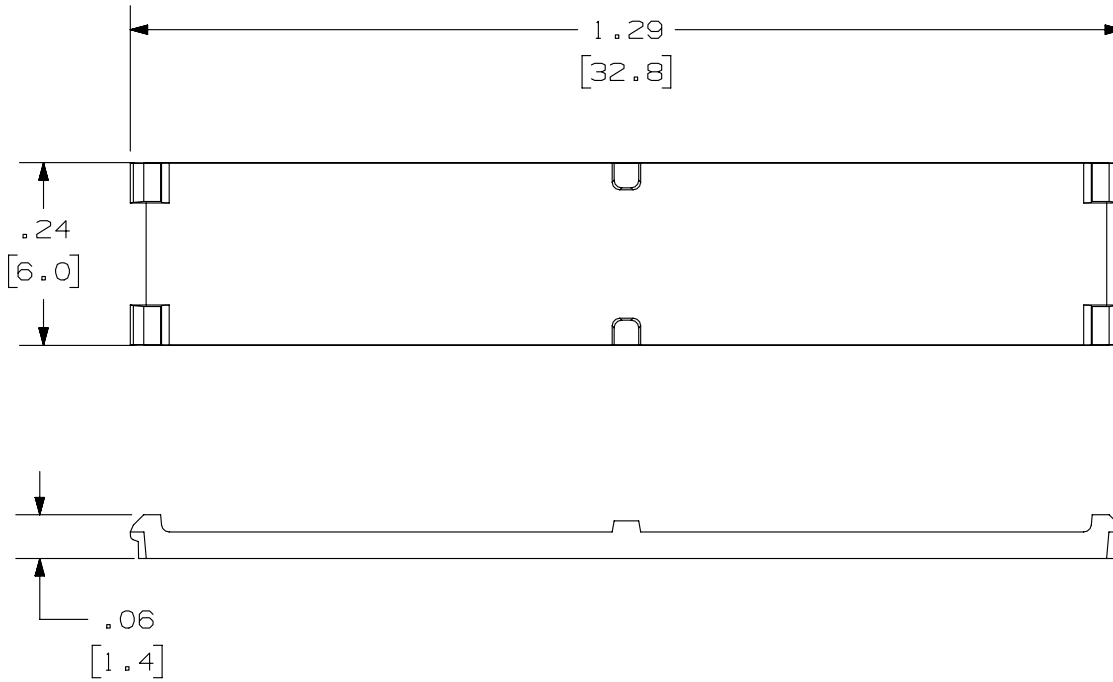


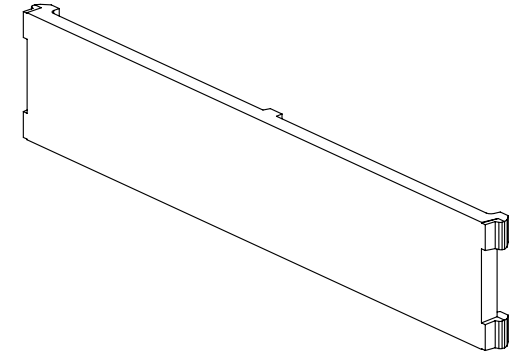
THIS COPY IS PROVIDED ON A RESTRICTED BASIS AND IS NOT TO BE USED IN ANY WAY DETRIMENTAL TO THE INTERESTS OF PANDUIT CORP.

PANDUIT P/N	WEIGHT
UILC2**-X	.004 LB/10 PCS (1.7 g/10 PCS)
UILC2**-L	.019 LB/50 PCS (8.5 g/50 PCS)



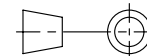
NOTES:

- SEE CURRENT CATALOG FOR ADDITIONAL PART NUMBER SUFFIXES TO INDICATE COLOR.
- SEE CATALOG FOR COMPLETE LIST OF PARTS APPLICABLE FOR USE WITH THIS PART.
- DIMENSIONS IN () ARE IN METRIC.



PART NUMBER		UILC2**-X, UILC2**-L	
TITLE			
ULTIMATE ID 2 POSITION REPLACEMENT LABEL COVER			
CUSTOMER DRAWING			
ITEM REVISION NAME		M01283BB/05	
DATASET FILE NAME		M01283BB_DC/05B	
UNLESS OTHERWISE SPECIFIED, DIMENSIONAL TOLERANCES ARE: IN (mm)		MATERIAL:	
.X ± .xx ± .03 (.8)		CLEAR: POLYSTYRENE OTHER COLORS: ABS	
.xxx ± .010 (.3)		DRAWING NUMBER:	
ANGLES ±		01283-06	
THIRD ANGLE PROJECTION		SHT 1 OF 1	
DRAWN BY	DATE	CHK	SCALE
JSP	11-26-02	MJD	NONE
REV	DATE	BY	CHK
1	5/16/14	JSP	REFR
R	11-26-02	JSP	MJD
APR	DESCRIPTION		ECN
	A. REVISED DRAWING TITLE BLOCK.		01283-06
	RELEASED TO PRODUCTION		01283-06

PANDUIT



THIRD ANGLE PROJECTION

D10100DA/14