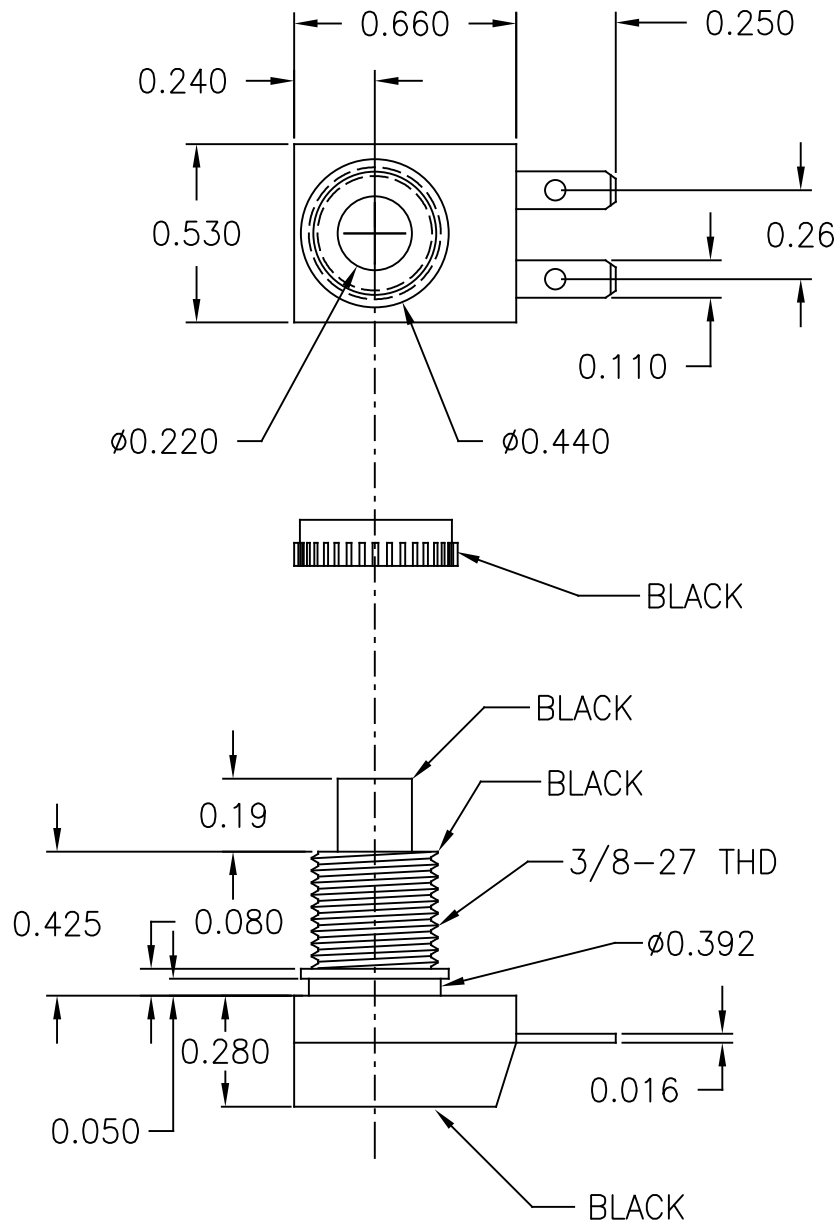


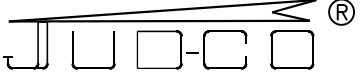
| LTR | EN | DESCRIPTION | APPR | BY | DATE |
|-----|----|--|------|----|----------|
| A | - | INITIAL RELEASE | RB | EM | 02-09-04 |
| A1 | - | CORRECTED SWITCH TYPE DESCRIPTION FROM SPDT TO SPST. ADDED ELECTRICAL RATING AND SPECIFY NON UL ON THE TITLE BLOCK | MT | DC | 10-24-16 |



JUDCO INVENTORY NO. 40-2502-01
 SWITCH TYPE: PUSH ON-PUSH OFF, SPST
 ELECTRICAL RATING: 14VDC, 2A
 NUT INCLUDED

CUSTOMER:
 CUST. PN:
 APPROVED BY: _____
 DATE: _____

This document embodies a product, component, and/or design proprietary to JUDCO MANUFACTURING INC., and which is protected either as a trade secret, by U.S. Patent, or by copyright. It may not be used in any way without written express consent of JUDCO MANUFACTURING INC.

| | | | |
|--|-------------|---|-----------------|
| DIMENSIONS IN INCHES DIMENSIONS ARE REFERENCE | |  HARBOR CITY CALIFORNIA | |
| | | TITLE OUTLINE J-188A-1 NON UL | |
| DRAWN: | EM 02-09-04 | DWG. NO. | 1415-566 |
| APPR: | KJ 10-24-16 | | |
| ENG'G: | IS 10-24-16 | | |
| 1415U566A1.DWG | | SHEET | 1 OF 1 |